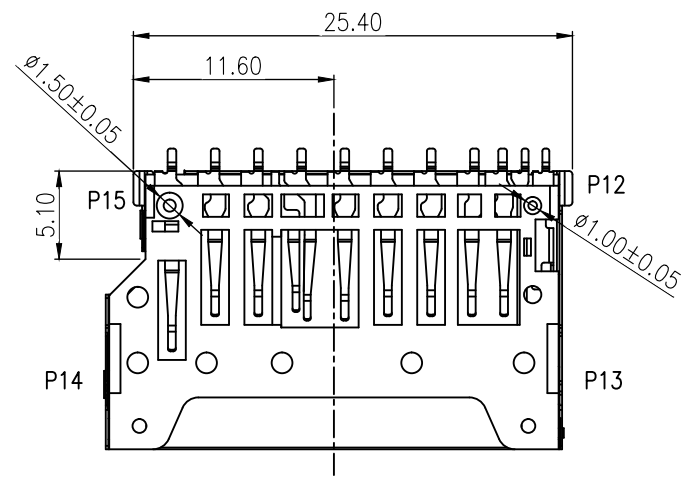
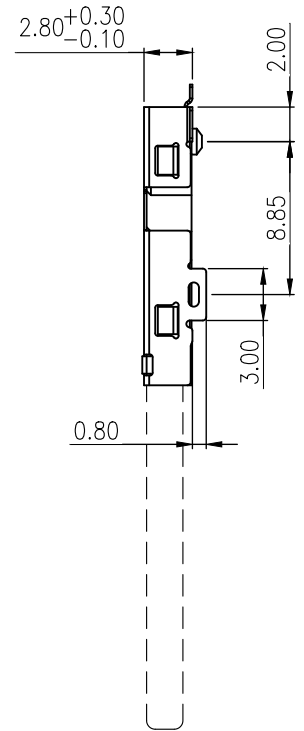
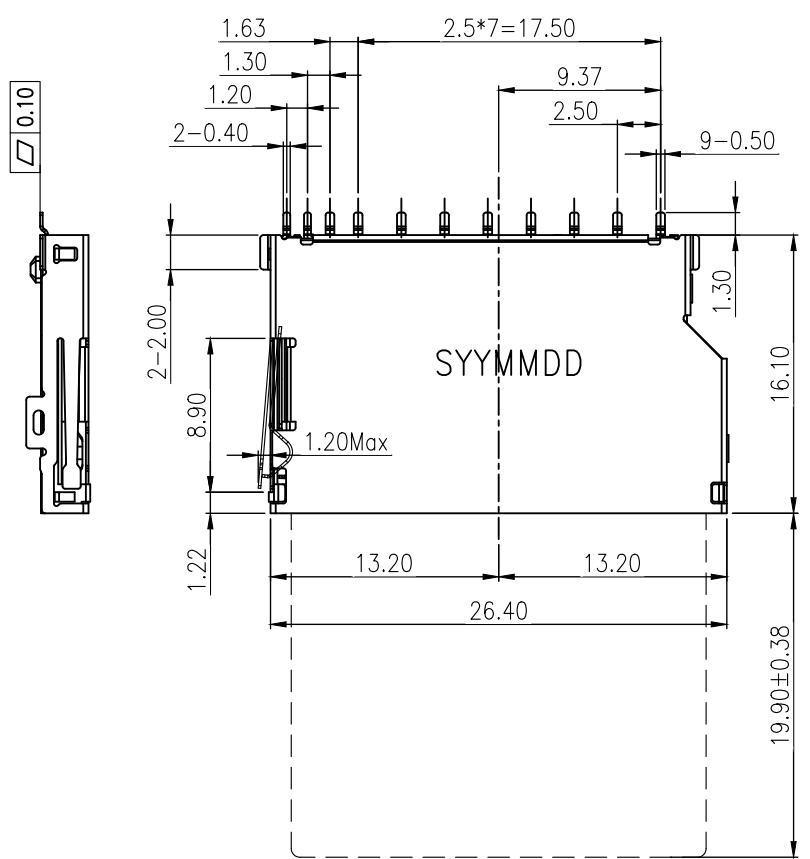
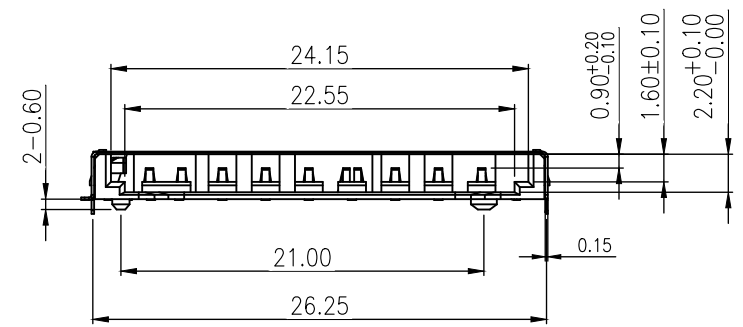


7		8	
REV:	ECN. NO.	NAME	DATE


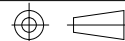


喷码说明: SYMMDD

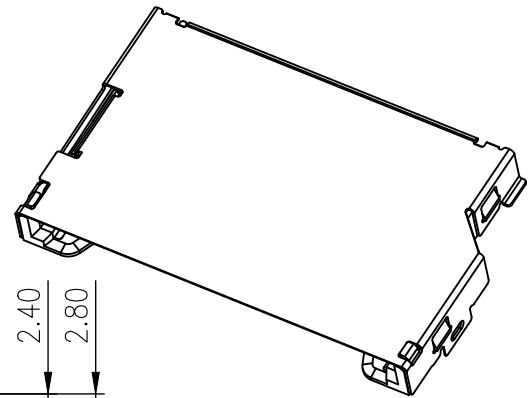
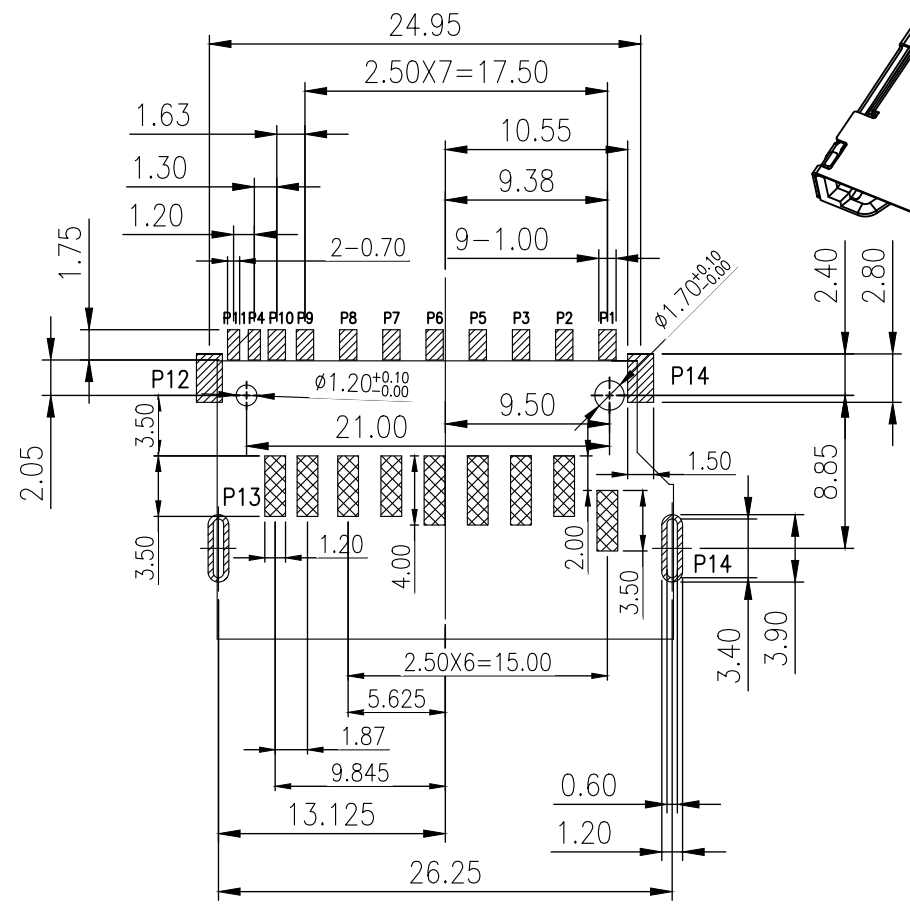
- 01: 第一日
- 31: 第31日
- 01: 1月
- 12: 12月
- 17: 2017年



# RoHS Compliant

MILLIMETERS X.° ± 2° .X ± 0.38 .XX ± 0.25 .XXX ± 0.10	INCH X.° ± 2° .X ± 0.015 .XX ± 0.010 .XXX ± 0.004	 <b>FOR YOUR VITAL CONNECTION</b>		
				TITLE:
DRAWN BY:	Zou Long	PART NO:	VTC102012672	REV: A
CHECKED BY:	Bob	SIZE: A4	UNIT:mm	SHEET:1 OF 3 FCN: E1
APPROVED BY:	QPF	PROJECTION		<a href="http://www.vitalconn.com">http://www.vitalconn.com</a>

7		8	
REV:	ECN. NO.	NAME	DATE



**Specification**

**\*Electrical Characteristics:**  
 Contact Current Rating:0.5 Amperes.  
 Dielectric Withstanding Voltage:AC500V r.m.s.  
 Insulation Resistance:1000 MΩ Minimum.  
 Contact Resistance:100 mΩ Maximum.

**\*Environmental:**  
 Operating Temperature:-20°C~+85°C.

**\*Environmental:**  
 Mating Cycles:10,000

**\*Mechanical Characteristics:**  
 Contact Insertion Force:1.00kgf Maximum.  
 Contact Separation Force:0.15kgf Minimum.

**\*Material:**  
 Insulator:HI-Temp Plastic UL 94V-0 Black  
 Contact:Copper Alloy(t=0.15mm).  
 Shell:Stainless Steel(t=0.15mm).

**\*FINISH:**  
 CONTACT: 1u" min.GOLD PLATED ON CONTACT AREA  
 80u" min.TIN(MATTE) PLATING ON SOLDER TAIL AREA  
 50u" min.NICKEL UNDERPLATING OVERALL  
 SHELL :80u" min. NICKEL PLATING OVERALL

**Pin Define**

Connector Pin No.	SD Card Pin No.	Pin Define
P1	P9	DAT2
P2	P1	DAT3
P3	P2	CMD
P4		CD
P5	P3	VSS1
P6	P4	VDD
P7	P5	CLK
P8	P6	VSS2
P9	P7	DAT0
P10	P8	DAT1
P11		W/P
P12~P15		GND

PAD

No trace , no test point, no via hole, no ground area

WITHOUT CARD		CARD INSERTED:LOCK		CARD INSERTED:UNLOCK	
W/P	GND	W/P	GND	W/P	GND
C/D	VSS1	C/D	VSS1	C/D	VSS1

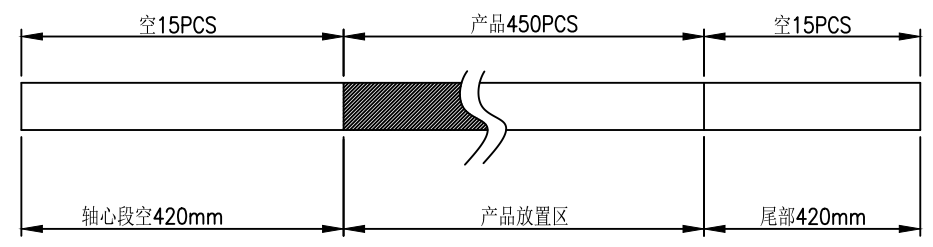
# RoHS Compliant

MILLIMETERS X.° ± 2° .X ± 0.38 .XX ± 0.25 .XXX ± 0.10	INCH X.° ± 2° .X ± 0.015 .XX ± 0.010 .XXX ± 0.004	<b>VITALCONN</b> a vital connector company	FOR YOUR VITAL CONNECTION	
DRAWN BY: Zou Long		TITLE:	SD NO PUSH 外焊H=2.80 LCP黑胶 端子C5210 外壳不锈钢	
CHECKED BY: Bob		PART NO:	VTC102012672	REV: A
APPROVED BY: QPF		SIZE: A4	UNIT:mm	SHEET:2 OF 3 FCN: E1
		PROJECTION		<a href="http://www.vitalconn.com">http://www.vitalconn.com</a>

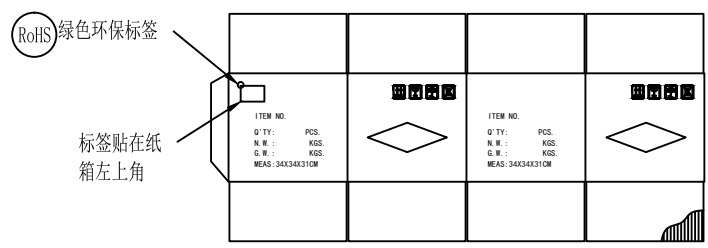
7		8	
REV:	ECN. NO.	NAME	DATE

NOTES

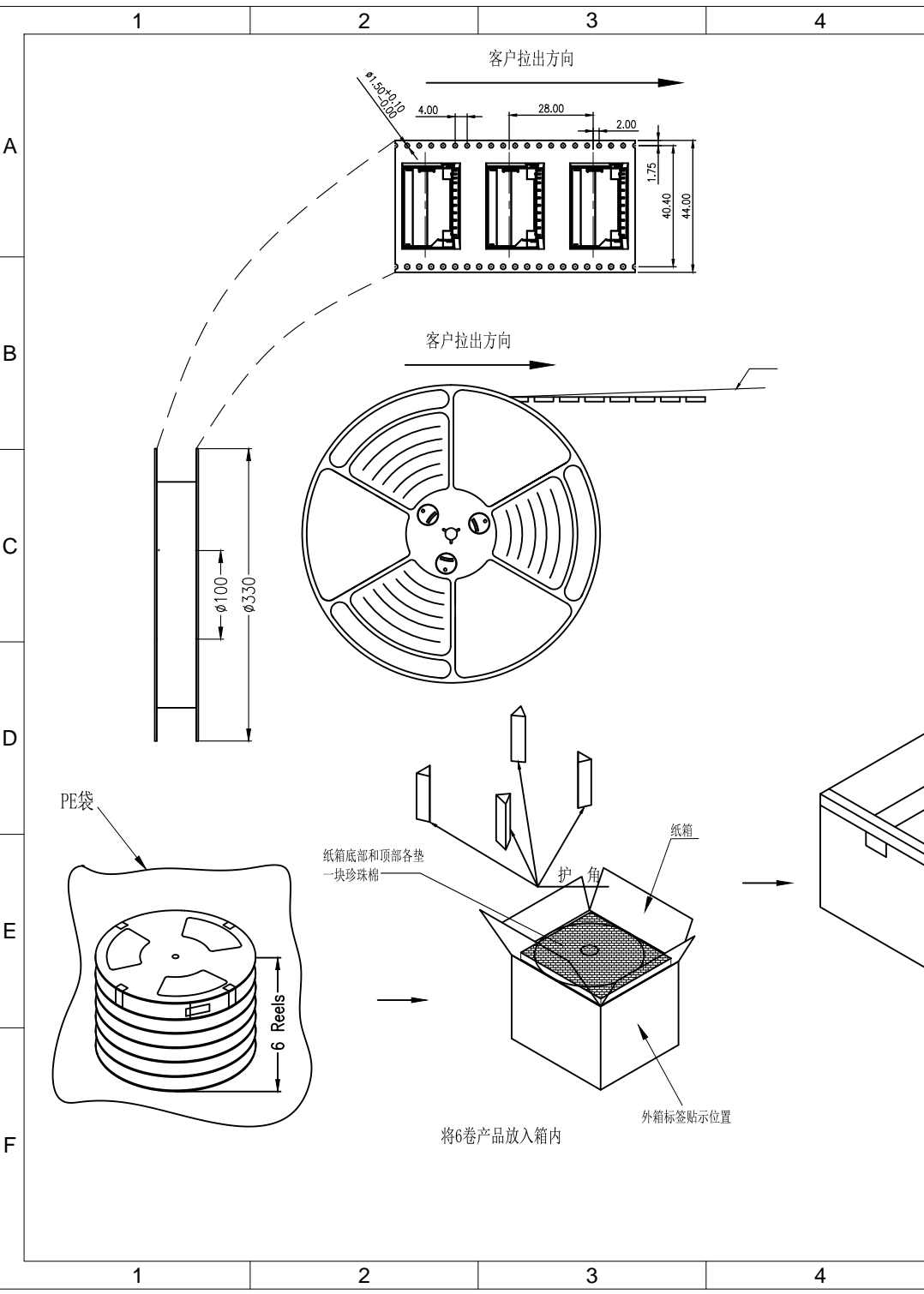
- 1.每卷包装数量:450PCS/每卷
- 2.卷带包装方式:



3.每箱包装数量:2700PCS/箱



纸箱示意图



封箱胶带“工”字形封好

绿色环保标签 (RoHS)  
产品标签贴在纸箱左上角

# RoHS Compliant

MILLIMETERS X.° ± 2° .X ± 0.38 .XX ± 0.25 .XXX ± 0.10	INCH X.° ± 2° .X ± 0.015 .XX ± 0.010 .XXX ± 0.004	<b>VITALCONN</b> a vital connector company		FOR YOUR VITAL CONNECTION	
		TITLE:	SD NO PUSH 外焊H=2.80 LCP黑胶 端子C5210 外壳不锈钢		
DRAWN BY:	Zou Long	PART NO:	VTC102012672	REV: A	
CHECKED BY:	Bob	SIZE: A4	UNIT:mm	SHEET:3 OF 3	FCN: E1
APPROVED BY:	QPF	PROJECTION		http://www.vitalconn.com	