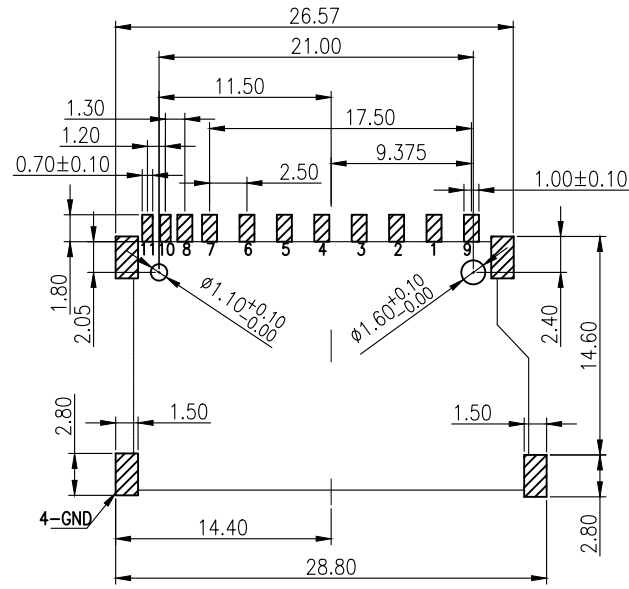
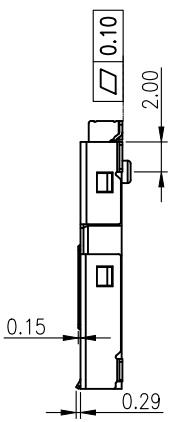
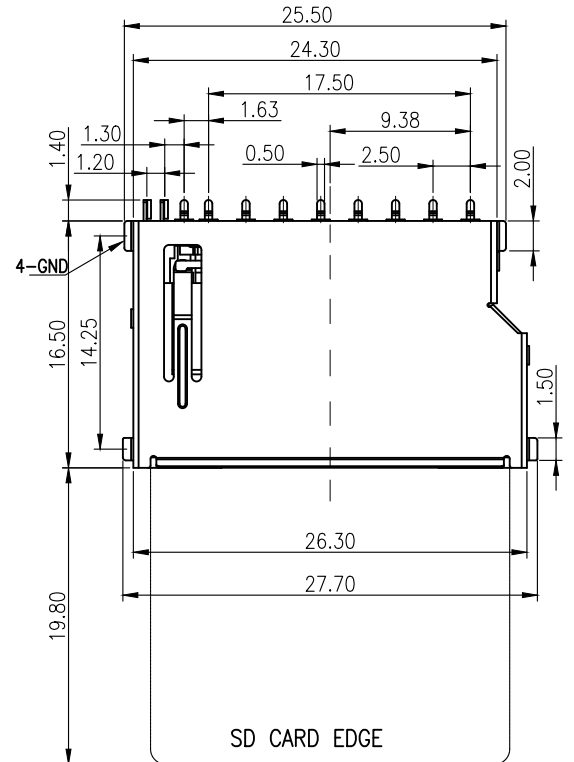
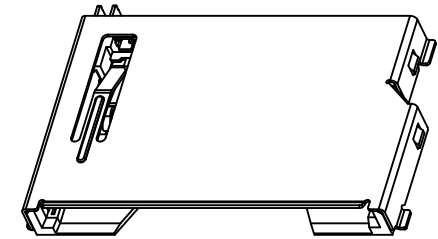


7		8	
REV:	ECN. NO.	NAME	DATE



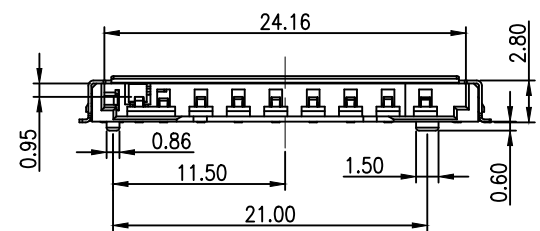
RECOMMENDED P.C.B LAYOUT  
(TOLERANCE: +/-0.05)

11-WRITE PROTECT PIN  
10-CARD DETECT PIN  
GROUND(SHELL)-COMMON PIN



NOTES:

- MATERIAL  
HOUSING : HIGH TEMPERATURE THERMOPLASTIC.  
CONTACT: COPPER ALLOY  
SHELL: COPPER ALLOY
- PLATING  
CONTACT AREA: GOLD PLATED OVER Ni  
SOLDER TAIL: 50~100u" MIN Sn PLATED OVER Ni  
SHELL SOLDER AREA: NICKEL PLATED
- RATING  
CURRENT RATING: 0.5A  
VOLTAGE RATING: 30VRMS  
OPERATING TEMPERATURE: -25°C~65°C
- SPECIFICATION  
CONTACT RESISTANCE: 100 M OHMS MAX  
DIELECTIC WITHSTANDING VOLTAGE: 500VAC 1Min.  
INSULATION RESISTANCE: 1000 MegOHMS MIN  
INSERTION FORCE: 40N MAX  
SEPARATION FORCE: 1-10N



SD CARD PIN DESIGN

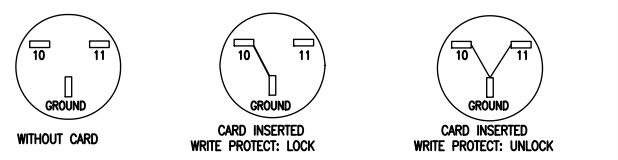
PIN NO.	NAME	DESCRIPTION
1#	CD/DAT3	CARD DETECT/DATA I/O
2#	CMD	COMMAND
3#	VSS1	GROUND
4#	VDD	POWER
5#	CLK	CLOCK
6#	VSS2	GROUND
7#	DAT0	DATA I/O
8#	DAT1	DATA I/O
9#	DAT2	DATA I/O
10#	CD	
11#	WP	

MILLIMETERS	INCH
X.° ± 2°	X.° ± 2°
.X ± 0.30	.X ± 0.012
.XX ± 0.20	.XX ± 0.008
.XXX ± 0.10	.XXX ± 0.004



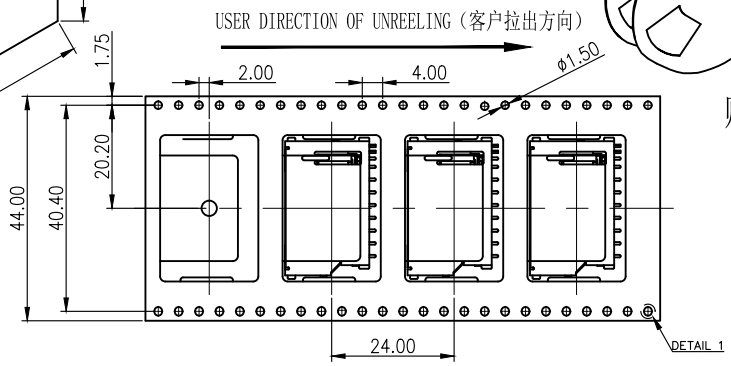
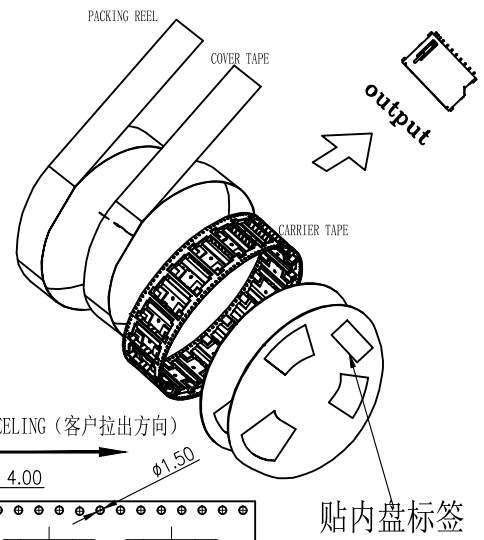
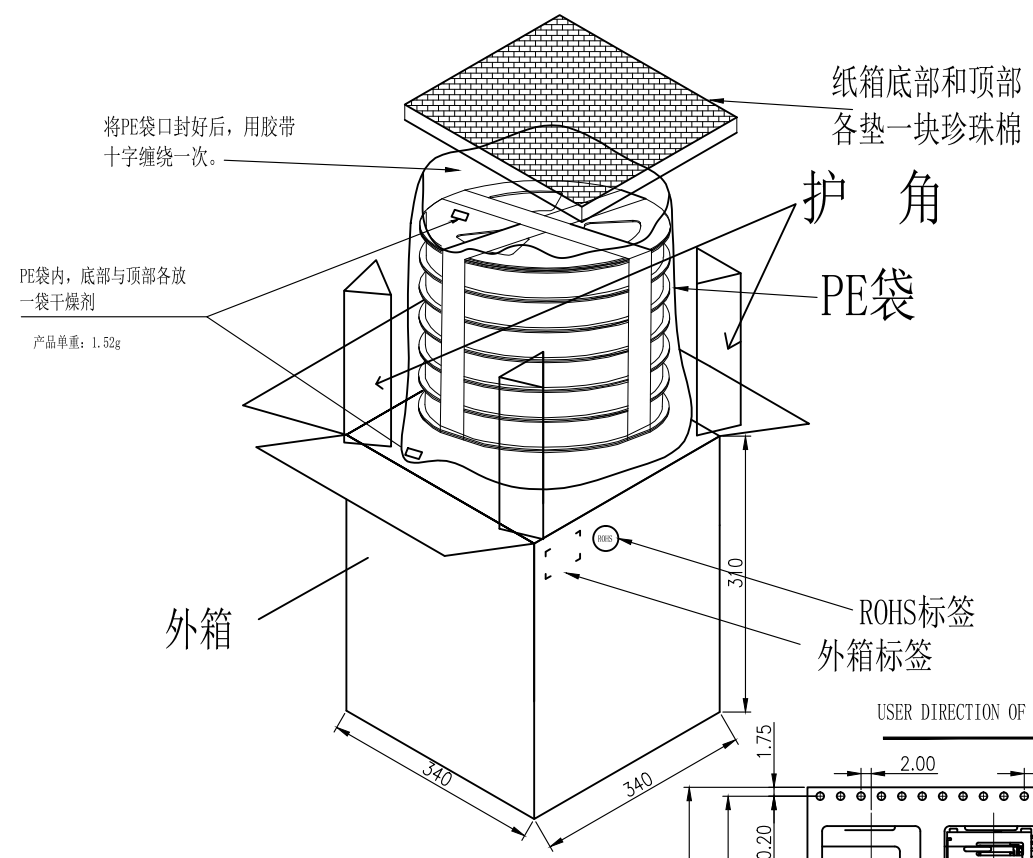
FOR YOUR  
VITAL CONNECTION

TITLE:	SD NO PUSH 外焊H=2.80 LCP白胶 端子C5191 外壳青铜C2680		
PART NO:	VTC102010752	REV: A	
SIZE: A4	UNIT:mm	SHEET: 1 OF 2	FCN: E1
APPROVED BY:	QPF	PROJECTION	<a href="http://www.vitalconn.com">http://www.vitalconn.com</a>



RoHS Compliant

7		8	
REV:	ECN. NO.	NAME	DATE



7	LABEL	PCS	1
6	OUTSIDE CARTON	PCS	1
5	COVER TAPE	M	89.28
4	PACKING REEL	PCS	6
3	PE BAG	PCS	1
2	CARRIER TAPE	SET	6
1	SD CONNECTOR	PCS	3600
NO.	MATERIAL	UNIT	Q'TY

- NOTE:
- 每卷CARRIER TAPE 前后各留10PCS以上不使用  
DON'T USE IN FRONT AREA OF 10PCS AND IN END AREA OF 10PCS ON EACH CARRIER TAPE.
  - 每卷CARRIER TAPE放置600个SD CONNECTOR.  
EACH CARRIER TAPE ROLL PUT 600 PCS SD CONNECTOR
  - 每6卷CARRIER TAPE 用1个PE BAG  
EVERY SIX CARRIERS TAPE USE ONE PE BAG
  - 以COVER TAPE覆盖后, 经包装机冷封包装  
USE COVER TAPE TO COVER AND COLD MACHINE TO SEAL UP
  - 以PSA COVER PLATE覆盖于外圈再以胶带固定  
THE OUTSIDE OF THE ROLL USE PSA COVER PLATE TO COVER AND USE ADHESIVE TAPE TO FIX
  - 放入CARTON并以胶带封口  
PUT ROLL IN THE CARTON AND USE ADHESIVE TAPE TO SEAL UP
  - CARTON 之麦头贴法请参考管资料  
THE MARK WILL BE PROVIDED BY PMC
  - 在OUTSIDE CARTON外侧如图所示位置贴标签  
STAMP ROHS LABEL ON THE CARTON.
  - 产品单重1.52g  
CONNECTOR WEIGHT: 1.52G/PCS

# RoHS Compliant

MILLIMETERS X.° ± 2° .X ± 0.30 .XX ± 0.20 .XXX ± 0.10	INCH X.° ± 2° .X ± 0.012 .XX ± 0.008 .XXX ± 0.004	<b>VITALCONN</b> a vital connector company	FOR YOUR VITAL CONNECTION	
DRAWN BY: Zou Long		TITLE:	SD NO PUSH 外焊H=2.80 LCP白胶 端子05191 外壳青铜C2680	
CHECKED BY: Bob		PART NO:	VTC102010752	REV: A
APPROVED BY: QPF		SIZE: A4	UNIT:mm	SHEET:2 OF 2 FCN: E1
		PROJECTION		<a href="http://www.vitalconn.com">http://www.vitalconn.com</a>

A  
B  
C  
D  
E  
F

A  
B  
C  
D  
E  
F