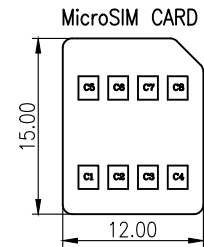
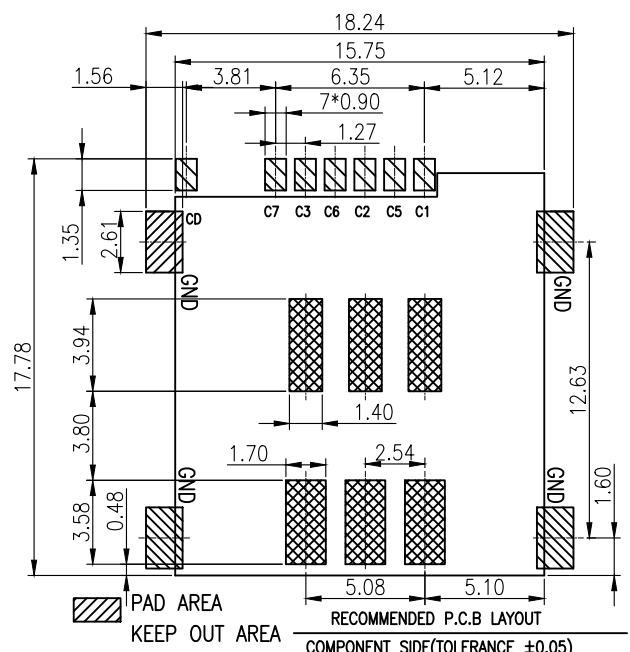
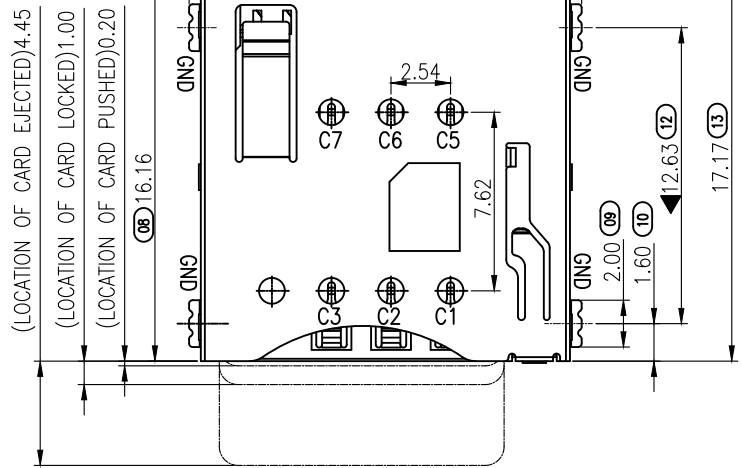
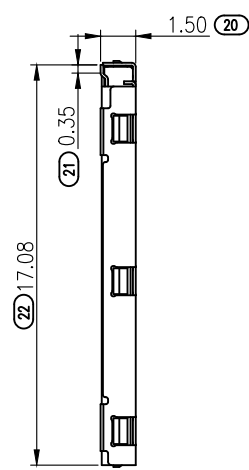
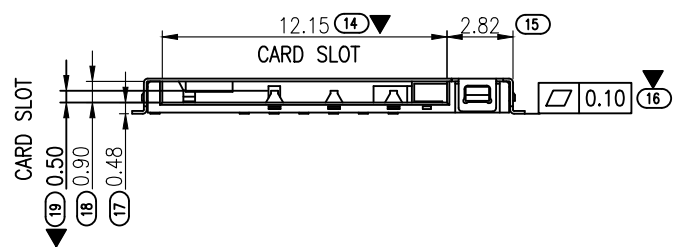


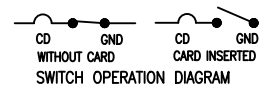
REV:	ECN. NO.	NAME	DATE



SCALE 1:2



ELECTRIC FUNCTION	DETECT SWITCH
WITHOUT CARD	CLOSED
CARD INSERTED	OPEN



NO	Description	Dosage	Material	Color/plating
7	LINK	1PC	STEEL	PLATE WITH NICKEL
6	SPRING	1PC	SWP-B	PLATE WITH NICKEL
5	Slide	1PC	HI-TEMP THERMOPLASTIC	UL94V-0 BLACK
4	Shell	1PC	STEEL	SMT AREA:GOLD PLATED
3	CD Switch	1PC	COPPER ALLOY	CONTACT AREA:GOLD PLATED
2	Data Contact	1PC	COPPER ALLOY	CONTACT AREA:GOLD PLATED
1	Housing	1PC	HI-TEMP THERMOPLASTIC	UL94V-0 BLACK

RoHS Compliant

NOTES:
 1. SPECIALITY:
 1.1 Rated current:1.0A
 1.2 Rated voltage:30V
 1.3 Contact Resistance:50mΩ MAX
 1.4 Insulation Resistance:1000MΩ MIN 500V DC
 1.5 Dielectric withstanding voltage: 500V AC.
 1.6 Solder ability:250±5℃, 5±0.5s.
 1.7 Durability:1500 Cycles Min.
 1.8 Operating condition:Temperature-40℃~+85℃;
 Humidity 80% R.H MAX
 2. PLEASE CONTACT JITS SALES REPRESENTATIVE TO VERIFY PRODUCT DETAILS & AVAILABILITY

MicroSIM CARD	
Pin No.	NAME
C1	VCC
C2	RST
C3	CLK
C4	Reserved
C5	GND
C6	VPP
C7	I/O
C8	Reserved

MILLIMETERS	INCH
X.° ± 2°	X.° ± 2°
.X ± 0.30	.X ± 0.012
.XX ± 0.20	.XX ± 0.008
.XXX ± 0.10	.XXX ± 0.004

VITALCONN a vital connector company		FOR YOUR VITAL CONNECTION	
TITLE:		SD NO PUSH 沉板 H=2.75 LCP黑胶 端子 C5191 外壳不锈钢	
DRAWN BY: Zou Long		PART NO: VTC102011682	
CHECKED BY: Bob		REV: A	
APPROVED BY: QPF		UNIT:mm SHEET:1 OF 2 FCN: E1	
PROJECTION		http://www.vitalconn.com	

REV:	ECN. NO.	NAME	DATE

A

B

C

D

E

F

A

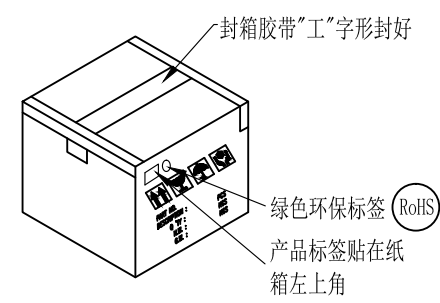
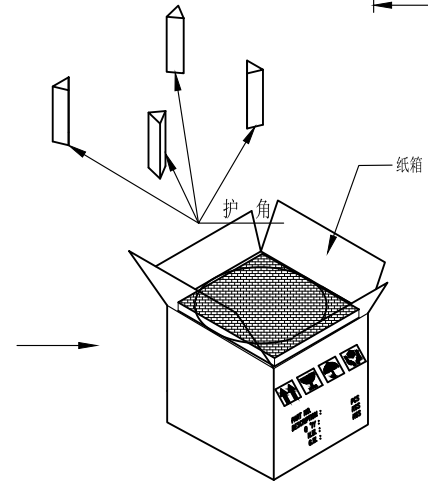
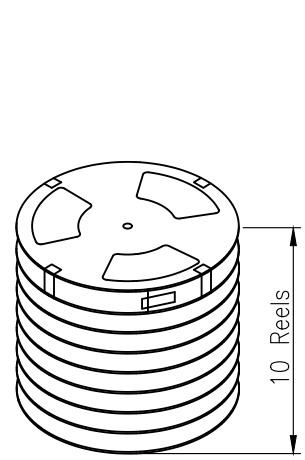
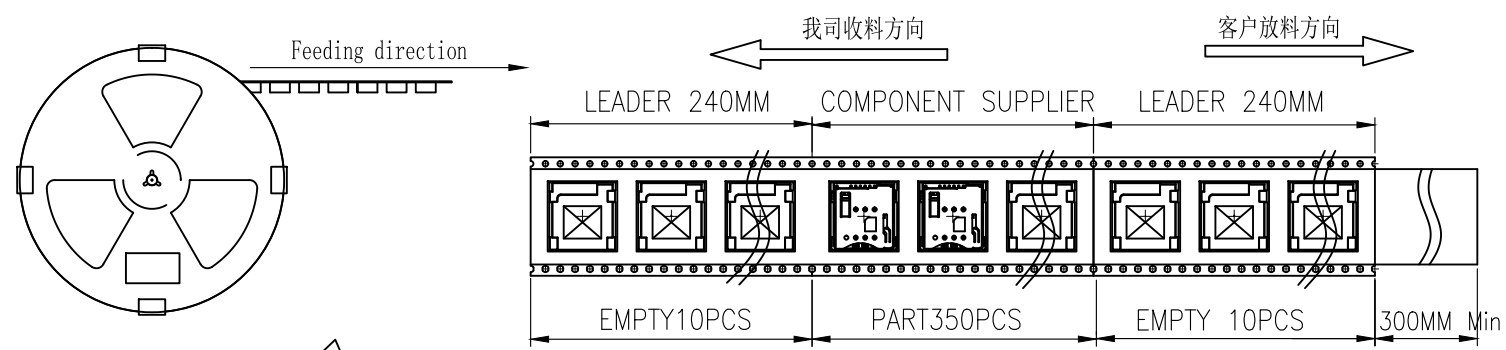
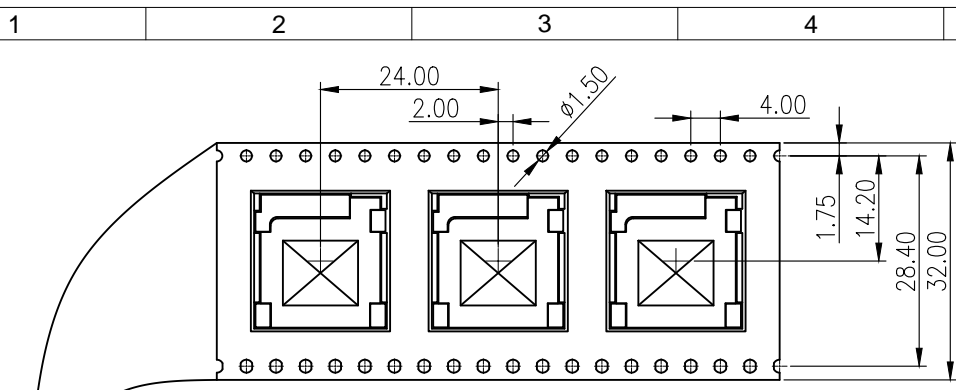
B

C

D

E

F



QUANTITY OF PER REEL	1000PCS/REEL
QUANTITY OF PER CARTON	10*1000=10000PCS/CARTON

RoHS Compliant

MILLIMETERS X.° ± 2° .X ± 0.30 .XX ± 0.20 .XXX ± 0.10	INCH X.° ± 2° .X ± 0.012 .XX ± 0.008 .XXX ± 0.004	VITALCONN a vital connector company		FOR YOUR VITAL CONNECTION	
		TITLE:	SD NO PUSH 沉板 H=2.75 LCP黑胶 端子 C5191 外壳不锈钢		
DRAWN BY:	Zou Long	PART NO:	VTC102011682	REV: A	
CHECKED BY:	Bob	SIZE: A4	UNIT:mm	SHEET:2 OF 2	FCN: E1
APPROVED BY:	QPF	PROJECTION		http://www.vitalconn.com	

1 2 3 4 5 6 7 8