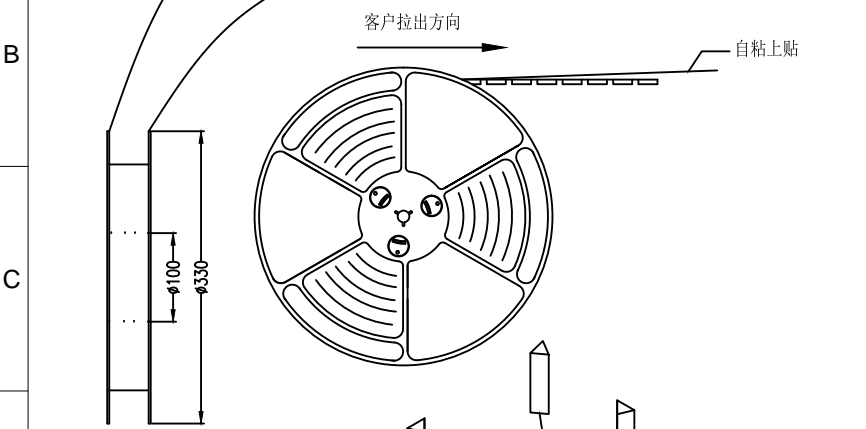
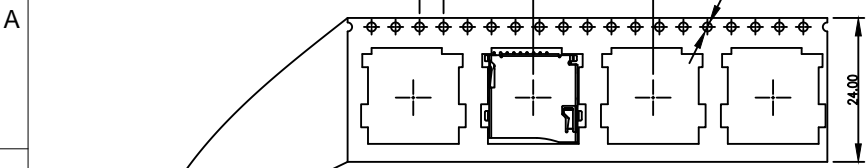
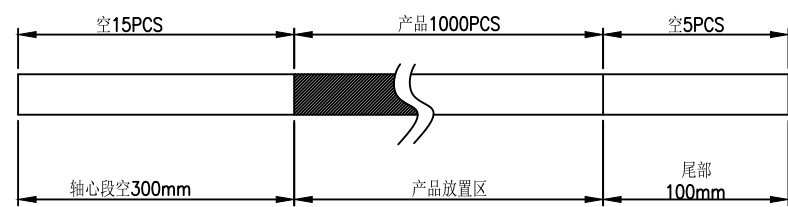


7		8	
REV:	ECN. NO.	NAME	DATE

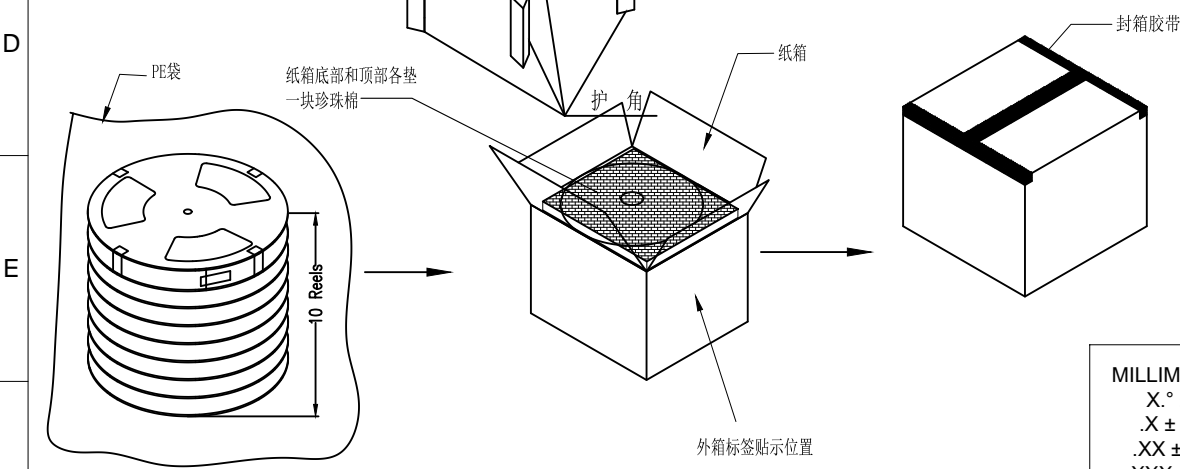


NOTES

- 1. 每卷包装数量: 1000PCS/每卷
- 2. 卷带包装方式:


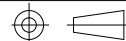


- 3. 每箱包装数量: 10000PCS/箱
- 4. 纸箱 350mm*350mm*340mm (内部尺寸), 材质K=K
- 5. 10K/箱产品净重: 5.496kg, 毛重: 10.73kg



将10卷产品放入箱内

RoHS Compliant

MILLIMETERS X.° ± 2° .X ± 0.30 .XX ± 0.20 .XXX ± 0.10	INCH X.° ± 2° .X ± 0.012 .XX ± 0.008 .XXX ± 0.004			FOR YOUR VITAL CONNECTION	
		TITLE:	T-FLASH 外焊卡座(卷装)		
DRAWN BY:	Zou Long	PART NO:	VTC102010052	REV: A	
CHECKED BY:	Bob	SIZE: A4	UNIT:mm	SHEET: 2 OF 2	FCN: E1
APPROVED BY:	QPF	PROJECTION			http://www.vitalconn.com