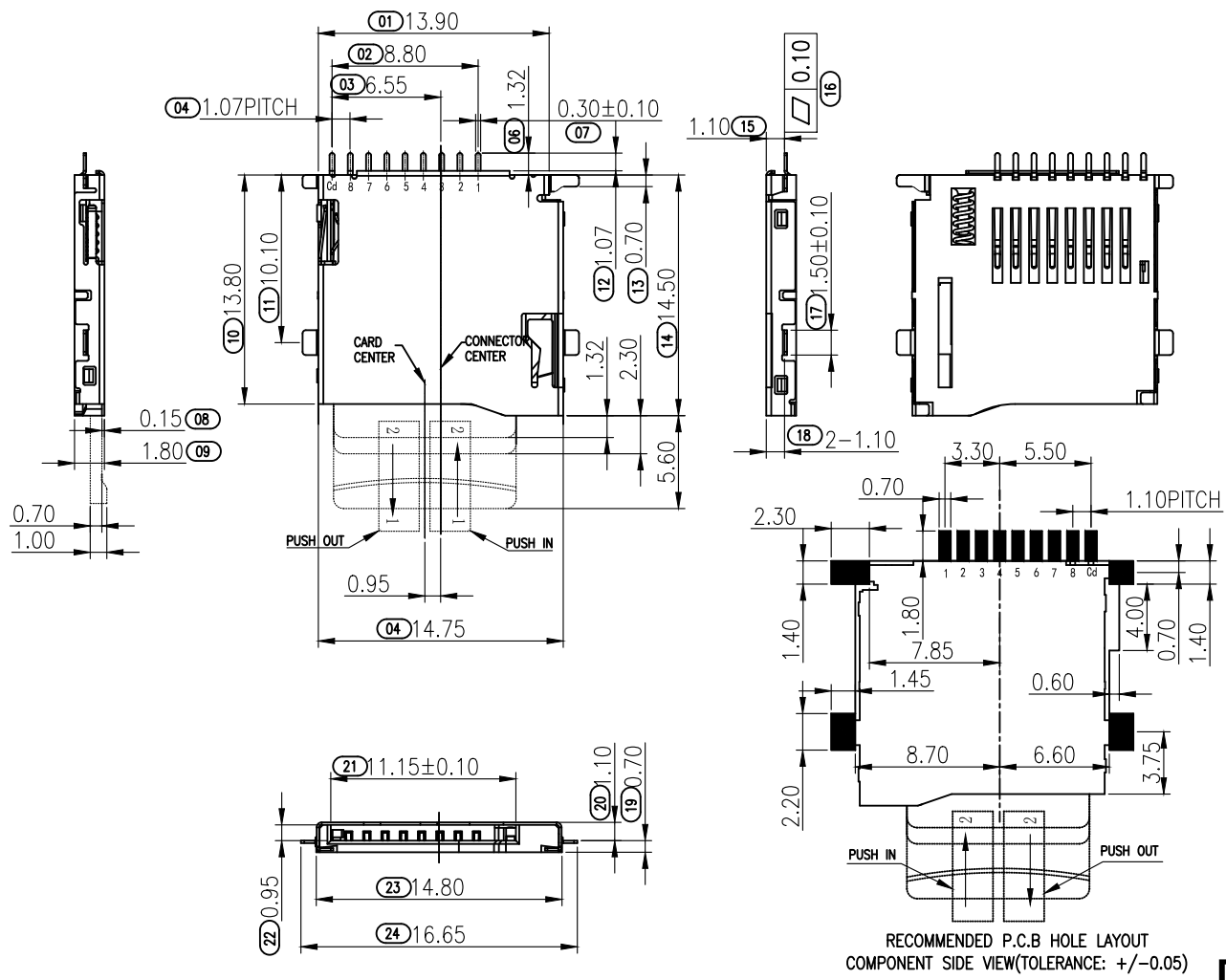


| | | | |
|------|----------|------|------|
| REV: | ECN. NO. | NAME | DATE |
| | | | |



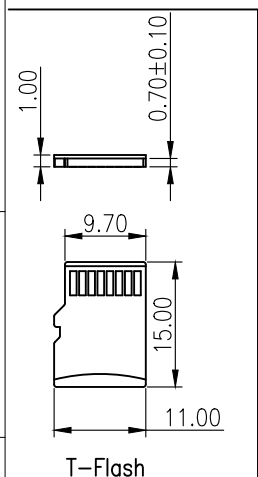
Specification

Material
 Plastic Housing: LCP 30%GF. UL94V-0, Black
 Contact Terminal: Phosphor Bronze. T=0.15mm
 Cover: SUS304, T=0.15mm

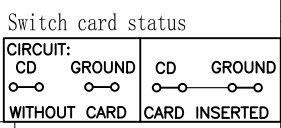
Plating:
 Contact Terminal
 Contact Area: Gold Flash
 Solder area: Tin 80u" min.
 Underplating: Ni overall 50u" min.
 Cover: Ni overall 30u" min.

Electrical
 Voltage Rating: 30V max.
 Current Rating: 0.5A max.
 Dielectric Withstanding Voltage: 100V AC (60 Sec min.)
 Insulation Resistance: 1000 MΩ min.
 Contact Resistance: 100 mΩ max.

Mechanical & Environmental
 Operating Temperature: -40°C to +85°C
 Durability: 5000 cycles



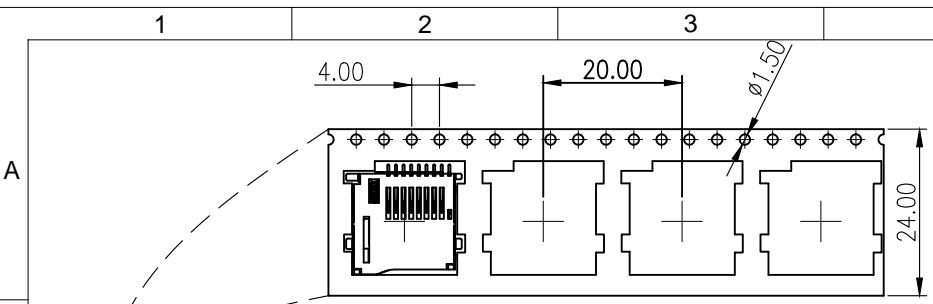
| PIN NO. | NAME | YTYPE | DESCRIPTION |
|---------|---------|--------|----------------------------|
| 1 | DAT2 | I/O/PP | DATE LINE(BIT2) |
| 2 | CD/DAT3 | I/O/PP | CARD DETECT DATE LIN(BIT3) |
| 3 | CMD | PP | COMMAND RESPONSE |
| 4 | VDD | S | SUPPLY VOLTAGE |
| 5 | CLX | I | CLOCK |
| 6 | VSS | S | SUPPLY VOLTAGE GROUND |
| 7 | DATO | I/O/PP | DATE LINE(BIT0) |
| 8 | DAT1 | I/O/PP | DATE LINE(BIT1) |



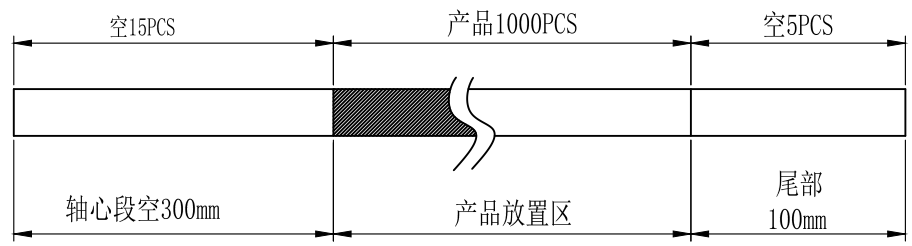
RoHS Compliant

| | | | | |
|---|---|---|------------------------------|---|
| MILLIMETERS X.° ± 2° .X ± 0.30 .XX ± 0.20 .XXX ± 0.10 | INCH X.° ± 2° .X ± 0.012 .XX ± 0.008 .XXX ± 0.004 | VITALCONN a vital connector company | FOR YOUR VITAL CONNECTION | |
| DRAWN BY: Zou Long | | TITLE: | TF PUSH 反向沉板1.10H 卡座 | |
| CHECKED BY: Bob | | PART NO: | VTC102012202 | REV: A |
| APPROVED BY: QPF | | SIZE: A4 | UNIT:mm | SHEET:1 OF 2 FCN: E1 |
| | | PROJECTION | | http://www.vitalconn.com |

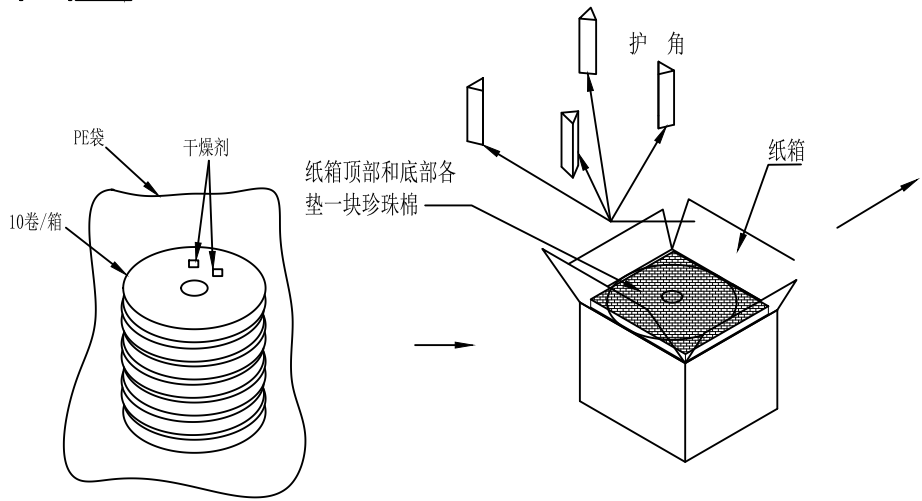
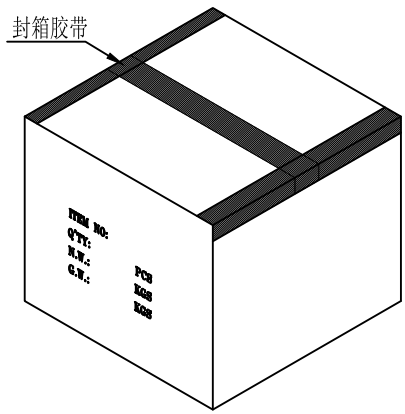
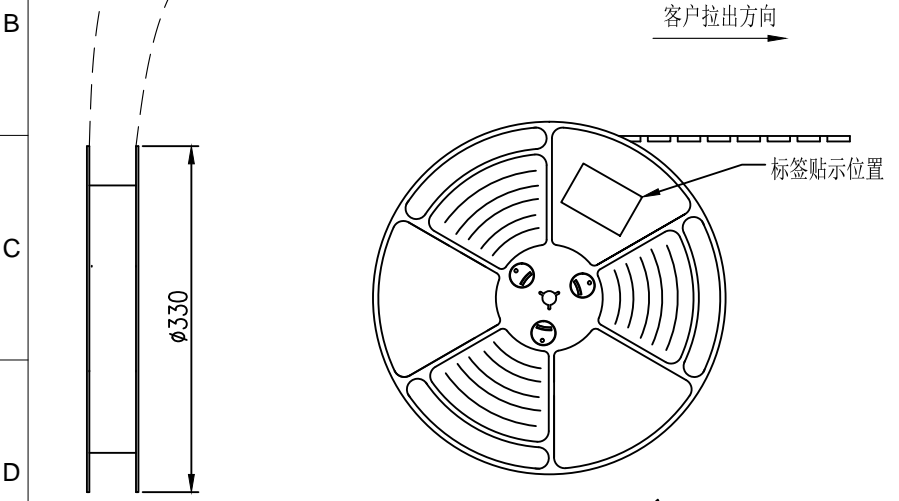
| | | | |
|------|----------|------|------|
| 7 | | 8 | |
| REV: | ECN. NO. | NAME | DATE |
| | | | |



NOTES
 1. 每卷包装数量:1000PCS/每卷
 2. 卷带包装方式:



3. 每箱包装数量:10000PCS/箱



RoHS Compliant

| | | | | | |
|---|---|---|----------------------|---|---------|
| MILLIMETERS X. ^o ± 2° .X ± 0.30 .XX ± 0.20 .XXX ± 0.10 | INCH X. ^o ± 2° .X ± 0.012 .XX ± 0.008 .XXX ± 0.004 | VITALCONN a vital connector company | | FOR YOUR VITAL CONNECTION | |
| | | TITLE: | TF PUSH 反向沉板1.10H 卡座 | | |
| DRAWN BY: | Zou Long | PART NO: | VTC102012202 | REV: A | |
| CHECKED BY: | Bob | SIZE: A4 | UNIT:mm | SHEET:2 OF 2 | FCN: E1 |
| APPROVED BY: | QPF | PROJECTION | | http://www.vitalconn.com | |