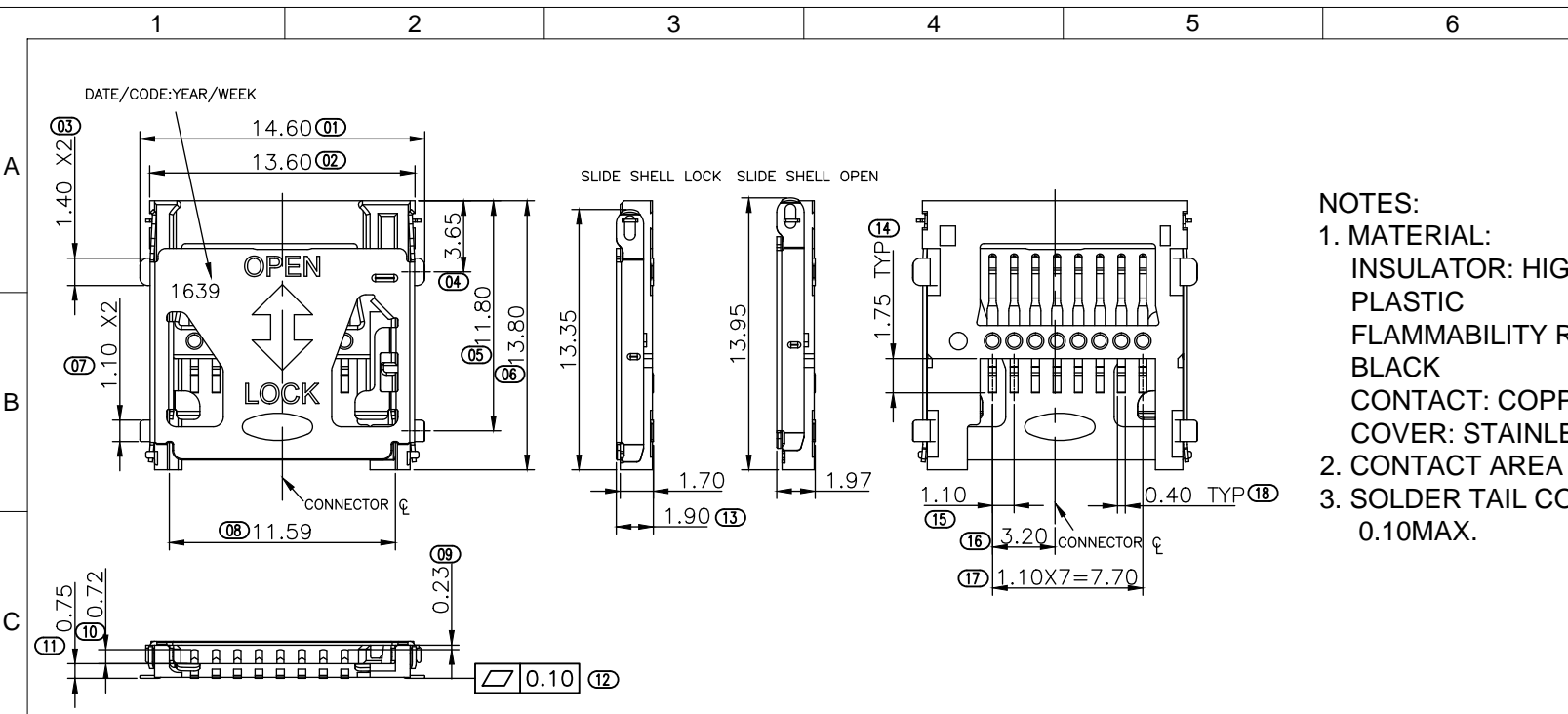
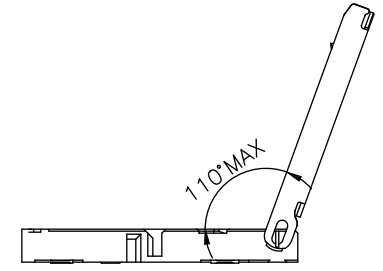
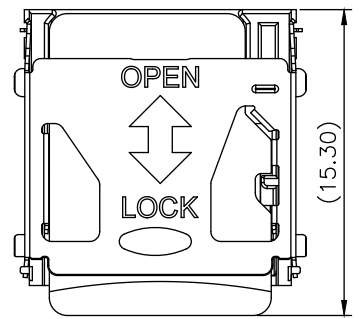
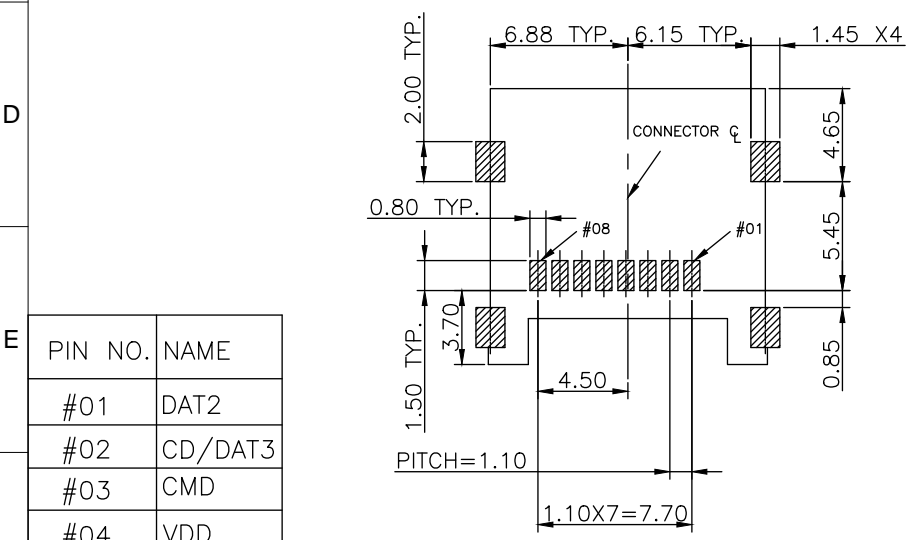


REV:	ECN. NO.	NAME	DATE



- NOTES:**
- MATERIAL:**
 INSULATOR: HIGH TEMPERATURE THERMO PLASTIC
 FLAMMABILITY RATING: UL94V-0 COLOR: BLACK
 CONTACT: COPPER ALLOYS
 COVER: STAINLESS STEEL
 - CONTACT AREA PLATING: GOLD OVER NI**
 - SOLDER TAIL COPLANARITY MUST BE WITHIN 0.10MAX.**



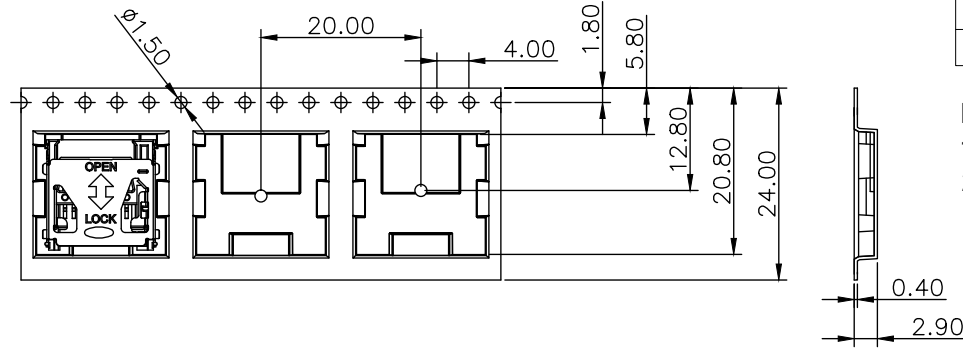
PIN NO.	NAME
#01	DAT2
#02	CD/DAT3
#03	CMD
#04	VDD
#05	CLK
#06	VSS
#07	DAT0
#08	DAT1

RECOMMENDED PCB LAYOUT(TOP VIEW)
 GENERAL TOLERANCES:±0.05
 SOLDER AREA

RoHS Compliant

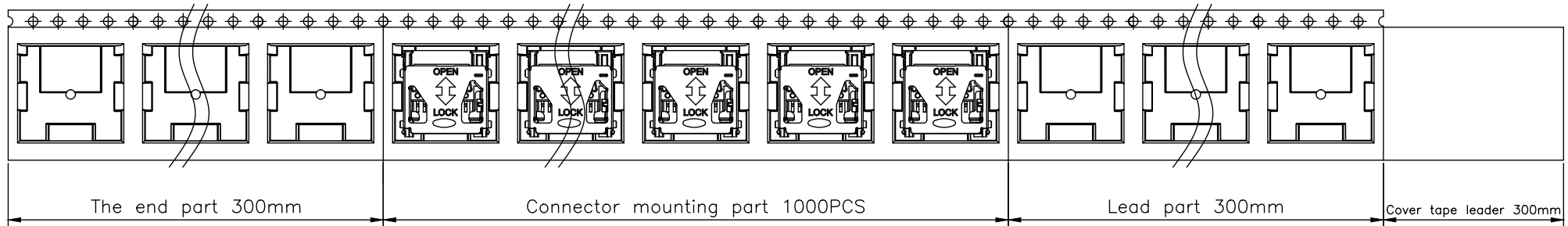
MILLIMETERS X.° ± 2° .X ± 0.30 .XX ± 0.20 .XXX ± 0.10	INCH X.° ± 2° .X ± 0.012 .XX ± 0.008 .XXX ± 0.004	VITALCONN a vital connector company	FOR YOUR VITAL CONNECTION
DRAWN BY: Zou Long		TITLE: TF 掀盖H=1.90	LCP黑胶 端子C5191 外壳不锈钢
CHECKED BY: Bob	PART NO: VTC102151482	REV: A	
APPROVED BY: QPF	SIZE: A4	UNIT:mm	SHEET:1 OF 2 FCN: E1
PROJECTION		http://www.vitalconn.com	

1. Tape packed status

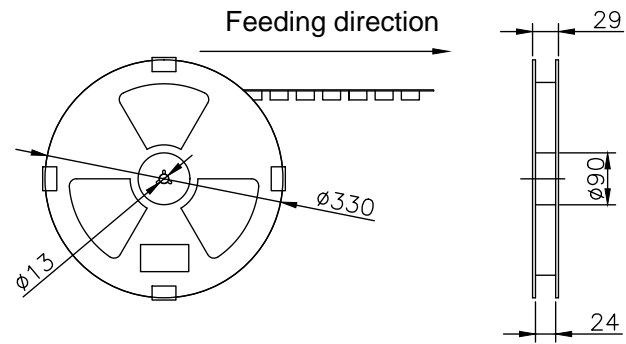


REV:	ECN. NO.	NAME	DATE

NOTES:
 1. CAPABILITY:1000PCS/REEL
 2.P/N:PACKT-00-0042



2. Reel packed status



NAME	PART NO.	SPEC	REMARK	
TAPE&REEL	PACKS-02-R025	W=24mm	Matierial:PS Colour:Black	
	PACKT-00-0042S	PACKL-03-D330	$\phi=330$ mm	Matierial:PS Colour:Blue
	PACKL-03-R424	$\phi=90$ mm	Matierial:PS Colour:Blue	
	PACKS-30-V324	W=21.5mm	Matierial:PE Colour:Clarity	

RoHS Compliant

MILLIMETERS X.° ± 2° .X ± 0.30 .XX ± 0.20 .XXX ± 0.10	INCH X.° ± 2° .X ± 0.012 .XX ± 0.008 .XXX ± 0.004	 a vital connector company	FOR YOUR VITAL CONNECTION		
DRAWN BY: Zou Long			TITLE: TF 掀盖H=1.90	LCP黑胶 端子C5191 外壳不锈钢	
CHECKED BY: Bob		PART NO: VTC102151482	REV: A		
APPROVED BY: QPF		SIZE: A4	UNIT:mm	SHEET:2 OF 2	FCN: E1
PROJECTION			http://www.vitalconn.com		