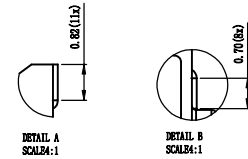
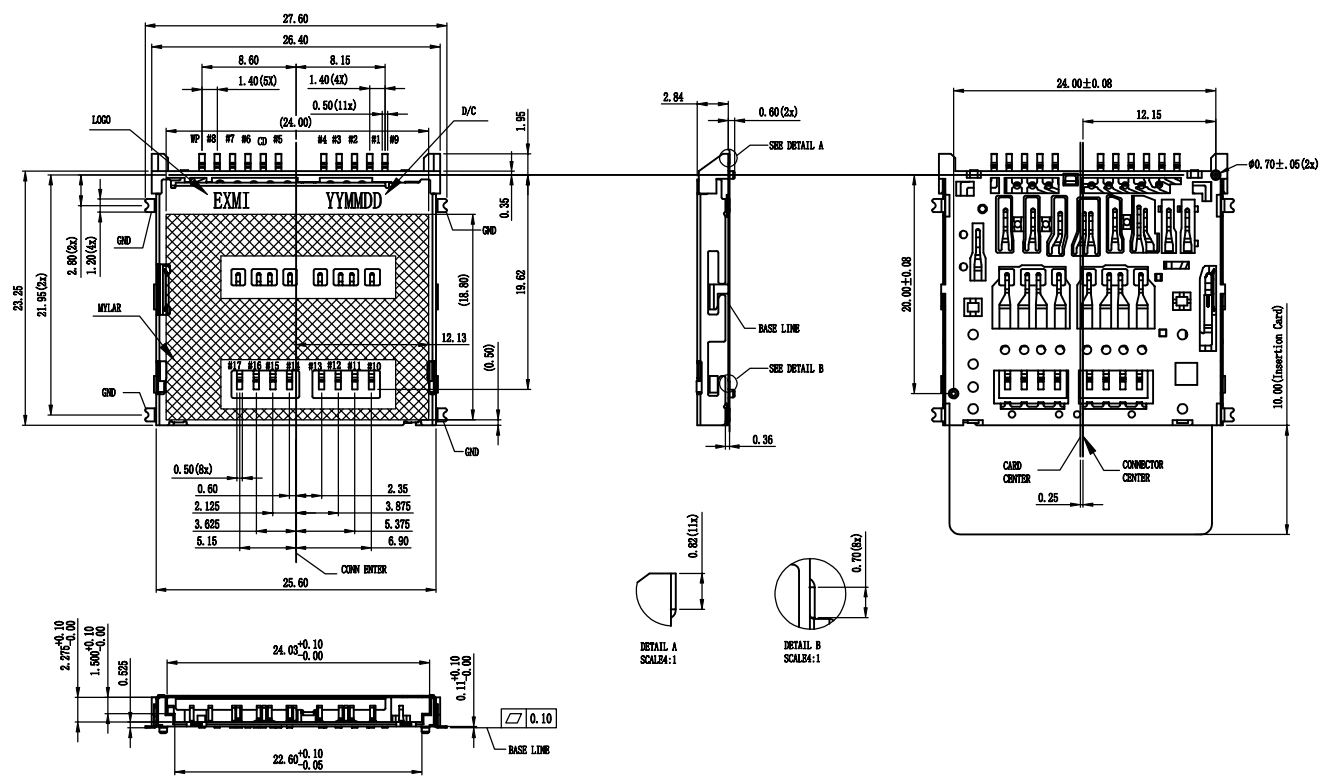


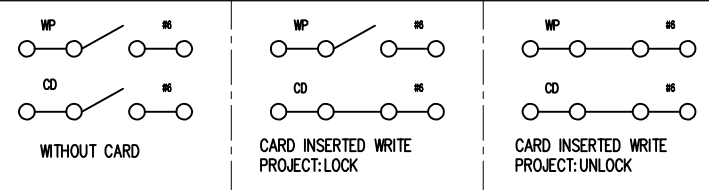
REV:	ECN. NO.	NAME	DATE



	PIN No.	SD MODE	FUNCTION	UHS # MODE	MMC MODE
No. 1	#9	DA12	-	-	-
No. 2	#1	CD/DAT3	-	RSV	-
No. 3	#2	CMD	-	CMD	-
No. 4	#3	VSS1	-	VSS1	-
No. 5	#4	VDD	-	VDD	-
No. 6	#5	CLK	-	CLK	-
No. 7	#6	CD	CARD DETECT	-	-
No. 8	#8	VSS2	-	VSS2	-
No. 9	#7	DAT0	RCLK+	DAT	-
No. 10	#8	DAT1	RCLK-	-	-
No. 11	WP	WRITE PROTECT	-	-	-
No. 12	#10	-	VSS3	-	-
No. 13	#11	-	DD+	-	-
No. 14	#12	-	DD-	-	-
No. 15	#13	-	VSS4	-	-
No. 16	#14	-	VDD2	-	-
No. 17	#15	-	D1-	-	-
No. 18	#16	-	D1+	-	-
No. 19	#17	-	VSS5	-	-

RoHS Compliant

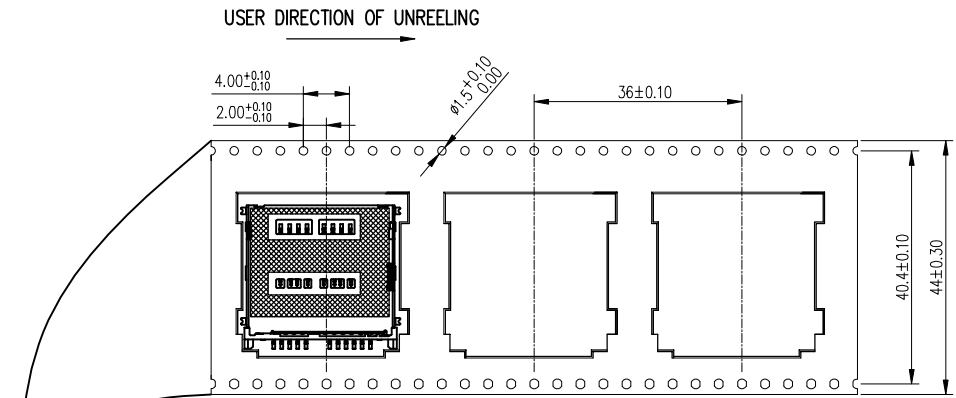
Circuit Diagram for Detect SW



For technical support, please send an email to support@vitalconn.com

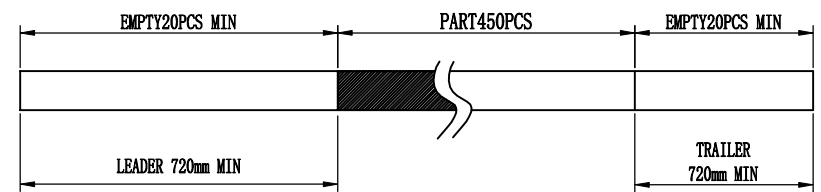
TOLERANCE UNSPECIFIED		 VITALCON a vital connector company		FOR YOUR VITAL CONNECTION	
.0	±0.38			TITLE: SD4.0 No Push H2.95 客户图	
.00	±0.25	DRAWN BY: QSY		PART NO: VTC102373272	
.000	±0.10	CHECKED BY: VIT		REV: A	
ANGLE ±3.00°		APPROVED BY: QPF		SIZE: A4	
MANUFACTURING COPY		PROJECTION		UNIT:mm	
				SHEET:1 OF 3	
				FCN: E1	
				http://www.vitalconn.com	

REV:	ECN. NO.	NAME	DATE

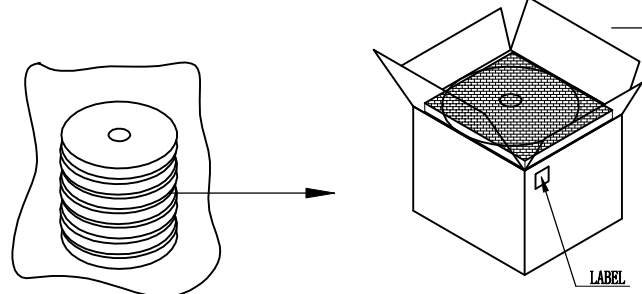
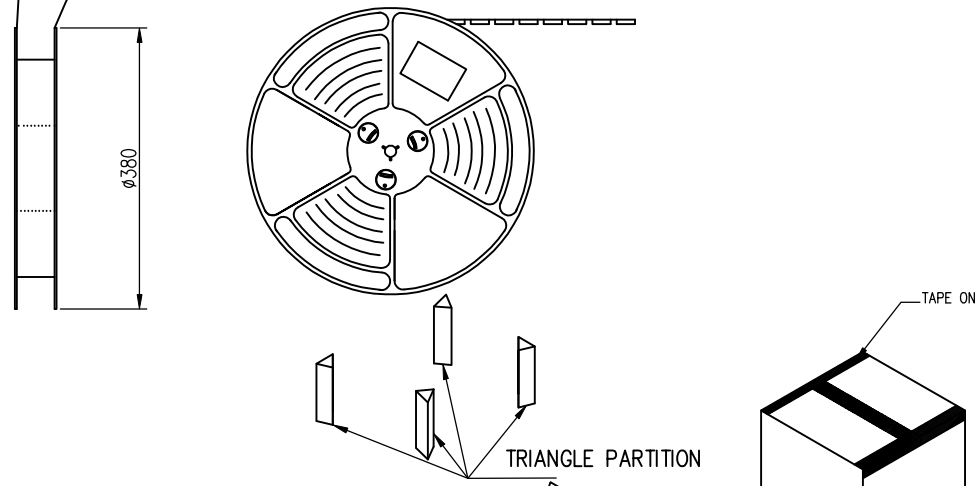


NOTES

- 1. NUMBER OF CONNECTORS: 450PCS/REEL
- 2. LEAD TAPE LENGTH



3. QUANTITY: 3600PCS/CARTON



RoHS Compliant

TOLERANCE UNSPECIFIED	
.0	± 0.38
.00	± 0.25
.000	± 0.10
ANGLE	$\pm 3.00^\circ$
MANUFACTURING COPY	



FOR YOUR VITAL CONNECTION

TITLE:		SD4.0 No Push H2.95 客户图			
DRAWN BY:	QSY	PART NO:	VTC102373272	REV: A	
CHECKED BY:	VIT	SIZE: A4	UNIT:mm	SHEET: 3 OF 3	FCN: E1
APPROVED BY:	QPF	PROJECTION		http://www.vitalconn.com	

For technical support, please send an email to support@vitalconn.com