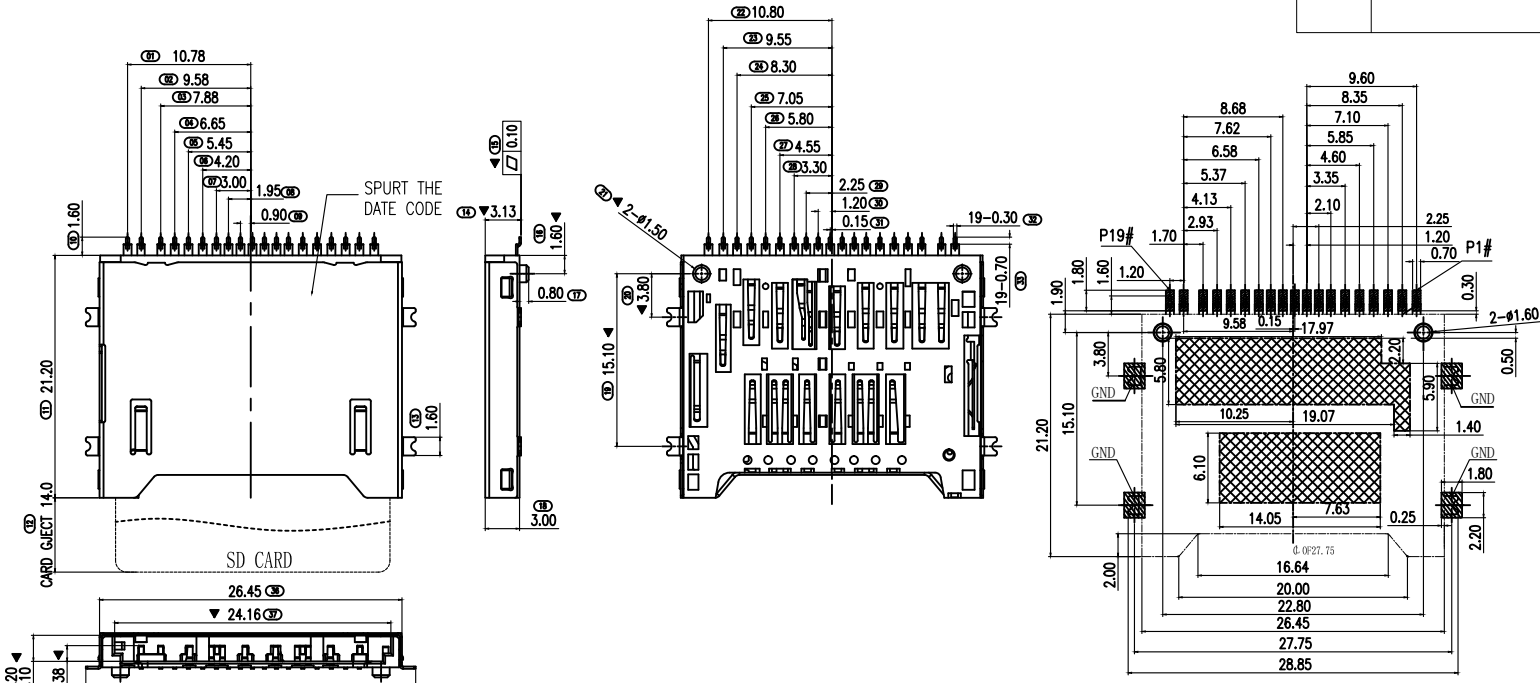


REV:	ECN. NO.	NAME	DATE

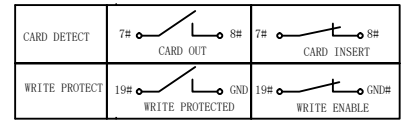
A  
B  
C  
D  
E  
F



RECOMMENDED PCB LAYOUT  
TOLERANCE UNLESS OTHERWISE IS ±0.05



NOTES:  
MATERIAL:  
Insulator: LCP 30%G/F, UL94V-0, Black  
Contact: Phosphor Bronze T=0.15  
Cover: SUS304 T=0.2  
PLATING:  
Contact Terminal:  
Contact Area: Gold Flash  
Solder area: 80u" Matte Tin Min  
Underplating: Ni overall 50u" min  
Cover:  
Solder area: Gold Flash  
Underplating: Ni overall 50u" min  
Electrical:  
1. All Dimensions are in Millimeters.  
2. Operation voltage: 10 VAC max.  
3. Current rating : 1 Amps max.  
4. Contact resistance: 100m ohms max.  
5. Insulation resistance: 1000M ohms min. 500 VDC  
6. Dielectric withstanding voltage: 500 VAC / minute  
7. Operating Temperature: -20° C to +60° C  
8. Storage Temperature: -40° C to +70° C  
9. Durability 5000 cycles.



PIN DEFINE:

PIN#	NAME	DESCRIPTION	PIN#	NAME	DESCRIPTION
1	VSS3	GROUND	11	VDD1	SUPPLY VOLTAGE
2	DAT2	DATA LINE BIT2	12	D1-	DIFFERENTIAL DATE 1-
3	DO+	DIFFERENTIAL DATE 0+	13	CLK	CLOCK
4	CD/DAT3	CARD DETECT/DATA LINE BIT3	14	D1+	DIFFERENTIAL DATE 1+
5	DO-	DIFFERENTIAL DATE 0-	15	VSS5	SUPPLY VOLTAGE GROUND
6	CMD	COMMAND/RESPONSE	16	VSS2	GROUND
7	CD	CARD DETECT	17	DAT0	DATA LINE BIT0
8	VSS1	SUPPLY VOLTAGE GROUND	18	DAT1	DATA LINE BIT1
9	VSS4	GROUND	19	WP	WRITE PROTECT
10	VDD2	SUPPLY VOLTAGE (1.8V)			

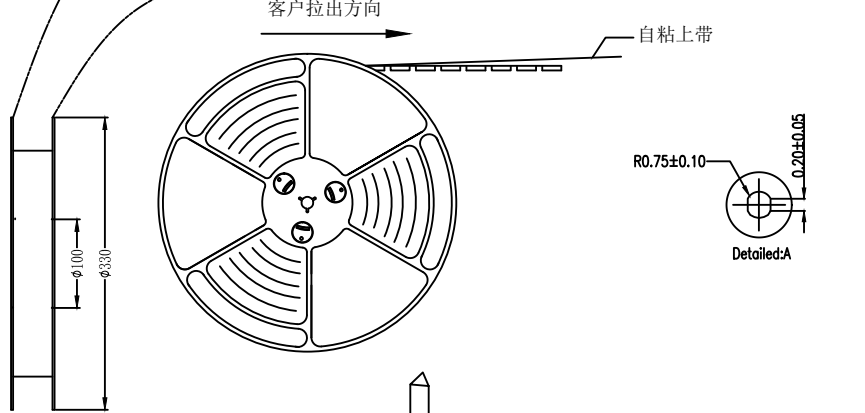
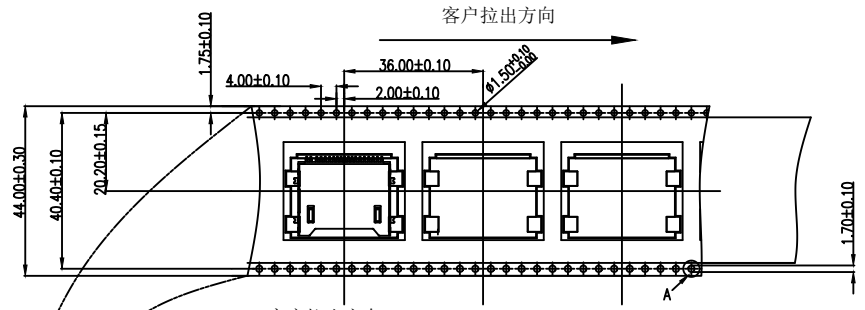
# RoHS Compliant



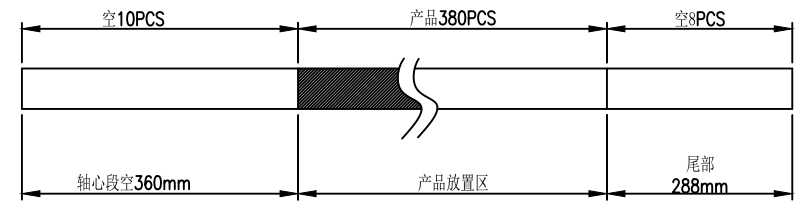
FOR YOUR VITAL CONNECTION

MILLIMETERS X.° ± 2° .X ± 0.30 .XX ± 0.20 .XXX ± 0.10	INCH X.° ± 2° .X ± 0.012 .XX ± 0.008 .XXX ± 0.004	TITLE: <b>SD4.0 NOPUSH 卡座</b>	
DRAWN BY: Zou Long	PART NO: VTC102014992	REV: A	
CHECKED BY: Bob	SIZE: A4	UNIT:mm	SHEET:1 OF 2 FCN: E1
APPROVED BY: QPF	PROJECTION	http://www.vitalconn.com	

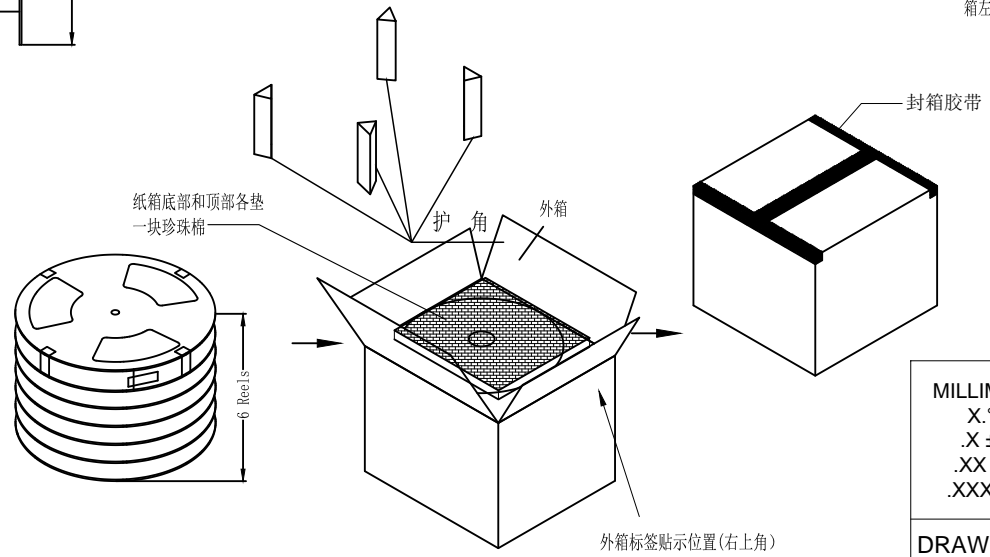
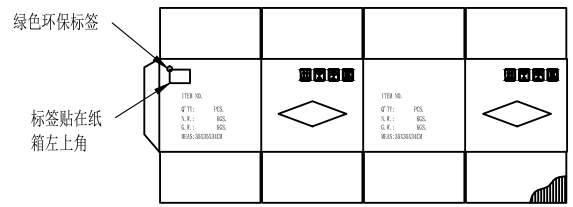
REV:	ECN. NO.	NAME	DATE



- NOTES
- 1.每卷包装数量:380PCS/每卷
  - 2.卷带包装方式:



- 3.每箱包装数量:22800PCS/箱
- 4.纸箱350mm\*350mm\*340mm, 材质K=K



# RoHS Compliant

MILLIMETERS X.° ± 2° .X ± 0.30 .XX ± 0.20 .XXX ± 0.10	INCH X.° ± 2° .X ± 0.012 .XX ± 0.008 .XXX ± 0.004	<b>VITALCONN</b> a vital connector company		FOR YOUR VITAL CONNECTION	
		TITLE: SD4.0 NOPUSH 卡座			
DRAWN BY: Zou Long	PART NO: VTC102014992	REV: A			
CHECKED BY: Bob	SIZE: A4	UNIT:mm	SHEET:2 OF 2	FCN: E1	
APPROVED BY: QPF	PROJECTION			http://www.vitalconn.com	