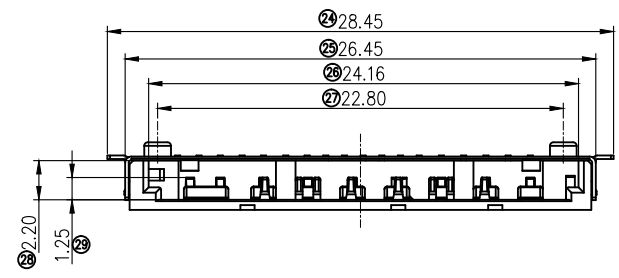
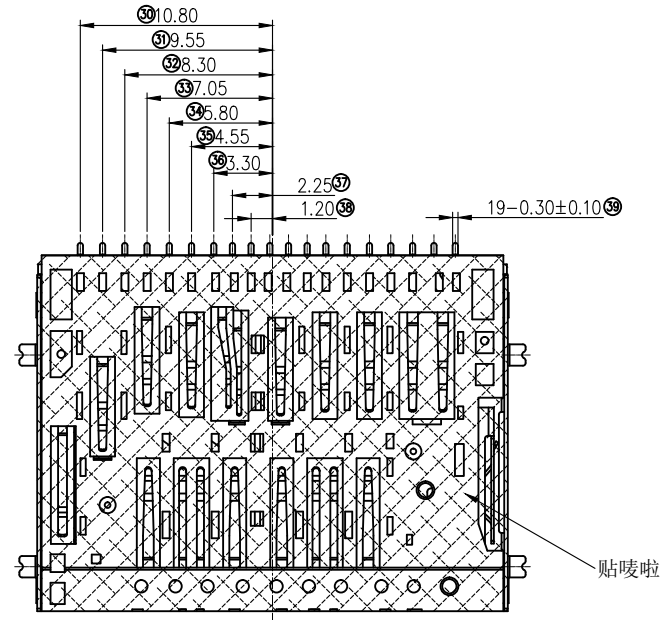
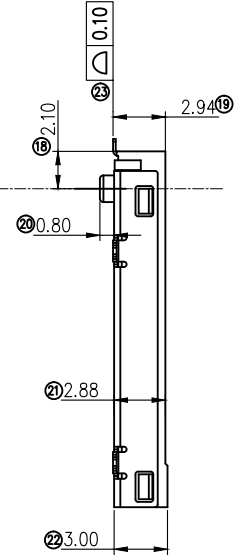
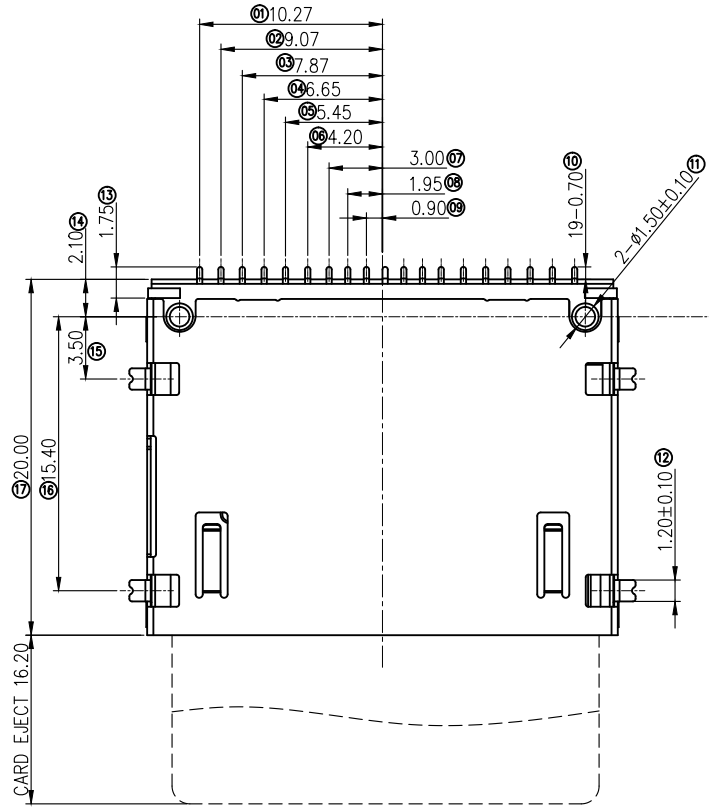


REV:	ECN. NO.	NAME	DATE

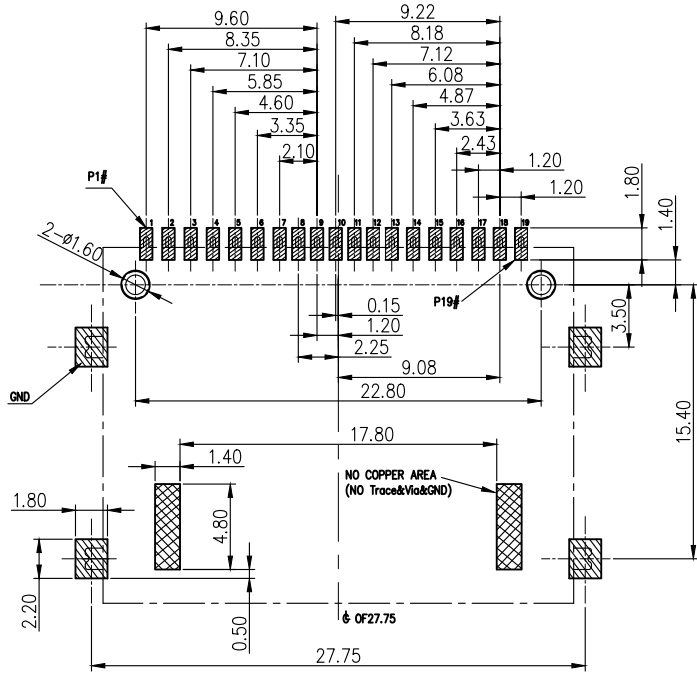


CARD DETECT	7# 8#	CARD OUT	7# 8#	CARD INSERT
WRITE PROTECT	19# GND	WRITE PROTECTED	19# GND#	WRITE ENABLE

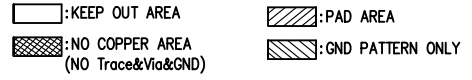
RoHS Compliant

MILLIMETERS X.° ± 2° .X ± 0.30 .XX ± 0.20 .XXX ± 0.10	INCH X.° ± 2° .X ± 0.012 .XX ± 0.008 .XXX ± 0.004	VITALCON a vital connector company		FOR YOUR VITAL CONNECTION	
				SD 4.0 NO PUSH CONN.(板下)A2版 标准图框	
DRAWN BY:	Zou Long	TITLE:	SD 4.0 NO PUSH CONN.(板下)A2版 标准图框		
CHECKED BY:	Bob	PART NO:	VTC402012992	REV: A	
APPROVED BY:	QPF	SIZE: A4	UNIT:mm	SHEET:1 OF 3	FCN: E1
PROJECTION				http://www.vitalconn.com	

REV:	ECN. NO.	NAME	DATE



RECOMMEENDER PCB LAYOUT
TOLERANCE UNLESS OTHERWISE IS ±0.05



PIN DEFINE:

PIN#	NAME	DESCRIPTION	PIN#	NAME	DESCRIPTION
1	VSS3	GROUND	11	VDD1	SUPPLY VOLTAGE
2	DAT2	DATA LINE BIT2	12	D1-	DIFFERENTIAL DATE 1-
3	DO+	DIFFERENTIAL DATE 0+	13	CLK	CLOCK
4	CD/DAT3	CARD DETECT/DATA LINE BIT3	14	D1+	DIFFERENTIAL DATE 1+
5	DO-	DIFFERENTIAL DATE 0-	15	VSS2	SUPPLY VOLTAGE GROUND
6	CMD	COMMAND/RESPONSE	16	VSS5	GROUND
7	CD	CARD DETECT	17	DAT0	DATA LINE BIT0
8	VSS1	SUPPLY VOLTAGE GROUND	18	DAT1	DATA LINE BIT1
9	VSS4	GROUND	19	WP	WRITE PROTECT
10	VDD2	SUPPLY VOLTAGE(1.8V)			

Specification

Material

Housing: LCP 30%GF. UL94V-0, Black
Contact Terminal: Phosphor Bronze. T=0.15mm
Shell: Brass, T=0.20mm

Plating:

Contact Terminal
Contact Area: Gold Flash
Solder area: Tin 80u" min.
Underplating: Ni overall 30u" min.
Shell: Ni overall 30u" min.


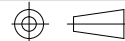
Electrical

Voltage Rating: 10V max.
Current Rating: 1.0A max.
Dielectric Withstanding Voltage: 350V AC (60 Sec min.)
Insulation Resistance: 1000 MΩ min.
Contact Resistance: 100 mΩ max.

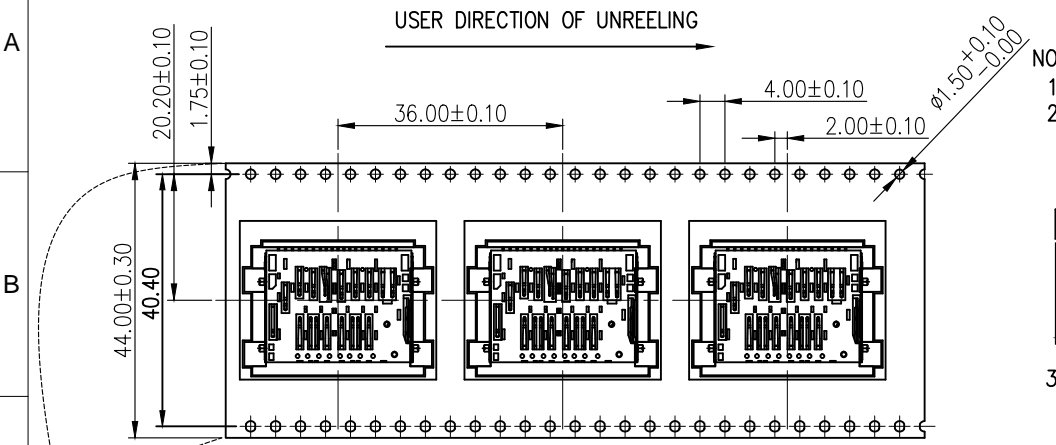
Mechanical & Environmental

Operating Temperature: -40°C to +85°C
Durability: 5000 cycles

RoHS Compliant

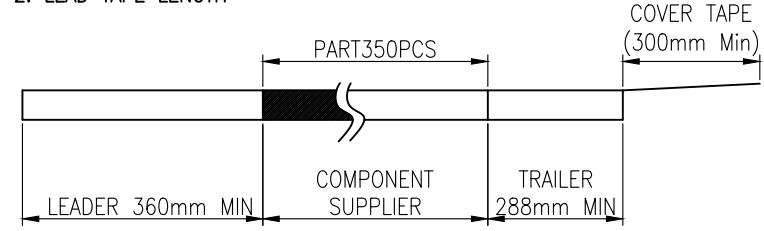
MILLIMETERS X.° ± 2° .X ± 0.30 .XX ± 0.20 .XXX ± 0.10	INCH X.° ± 2° .X ± 0.012 .XX ± 0.008 .XXX ± 0.004	 FOR YOUR VITAL CONNECTION		
				TITLE:
DRAWN BY:	Zou Long	PART NO:	VTC402012992	REV: A
CHECKED BY:	Bob	SIZE: A4	UNIT:mm	SHEET:2 OF 3 FCN: E1
APPROVED BY:	QPF	PROJECTION		http://www.vitalconn.com

7		8	
REV:	ECN. NO.	NAME	DATE

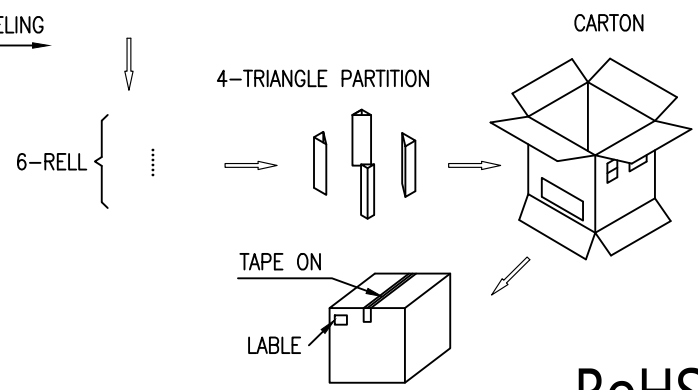
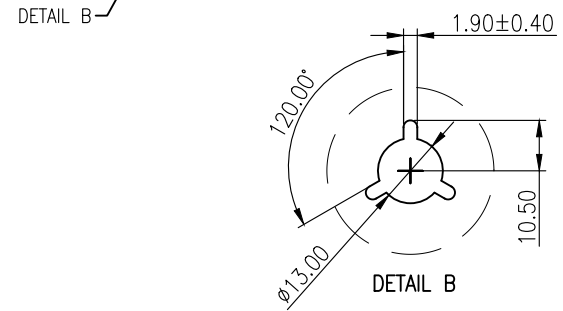
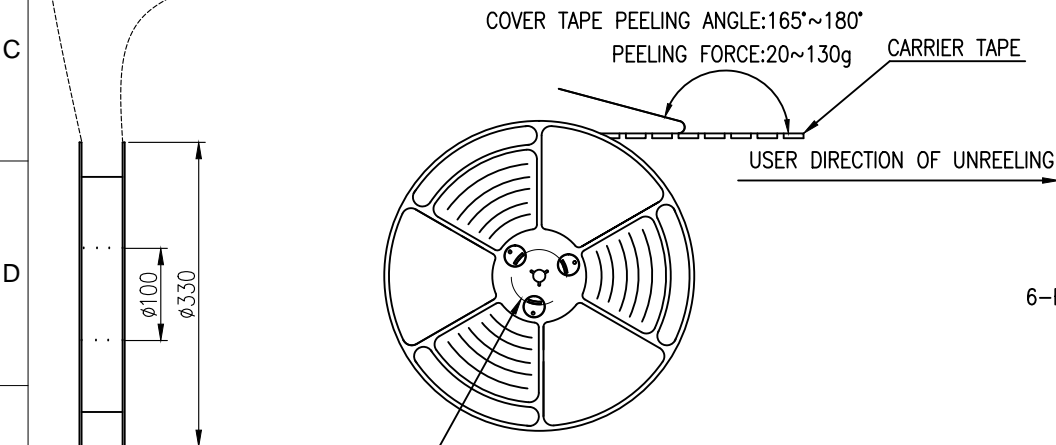


NOTES

1. NUMBER OF CONNECTORS: 350PCS/REEL
2. LEAD TAPE LENGTH



3. QUANTITY: 2100PCS/CARTON



RoHS Compliant

MILLIMETERS	INCH	VITALCON a vital connector company		FOR YOUR VITAL CONNECTION	
X.° ± 2°	X.° ± 2°	TITLE: SD 4.0 NO PUSH CONN.(板下)A2版 标准图框		REV: A	
.X ± 0.30	.X ± 0.012				
.XX ± 0.20	.XX ± 0.008				
.XXX ± 0.10	.XXX ± 0.004				
DRAWN BY: Zou Long	PART NO: VTC402012992	UNIT:mm		SHEET:3 OF 3 FCN: E1	
CHECKED BY: Bob	SIZE: A4	PROJECTION		http://www.vitalconn.com	
APPROVED BY: QPF					