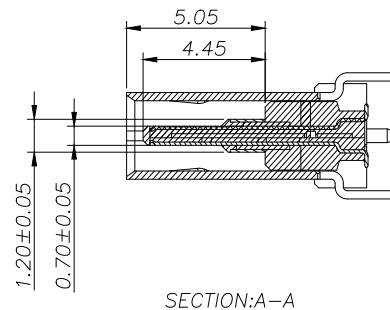
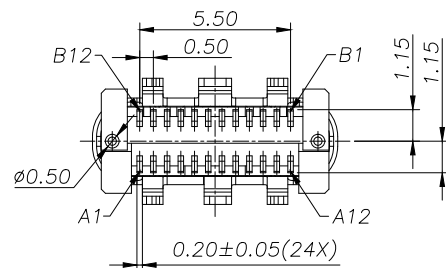
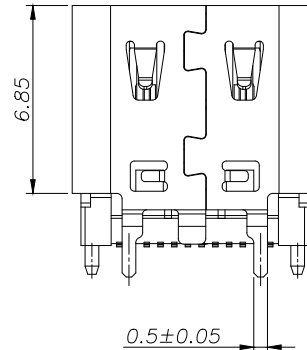
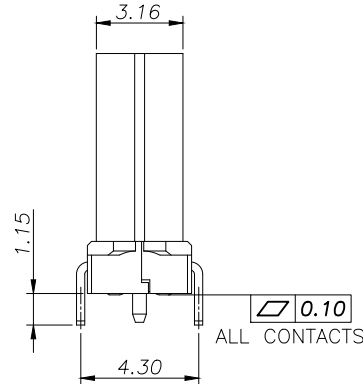
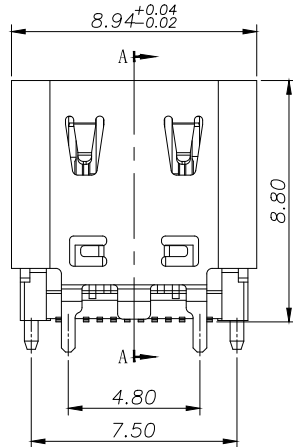
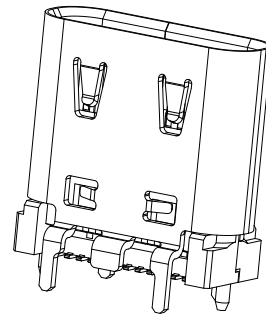
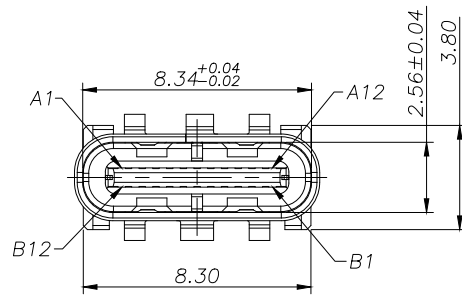




| REV: | ECN. NO. | NAME | DATE |
|------|----------|------|------------|
| A0 | ----- | --- | 04-03-2026 |



NOTE:

- MATERIAL SPECIFICATION:
 - HOUSING: HIGH TEMPERATURE RESISTANT PLASTIC, UL94 V-0 (PA9T)
 - TERMINAL: COPPER ALLOY (C18150)
 - MID PLATE: STAINLESS STEEL (SUS301)
 - FRONT SHELL: STAINLESS STEEL (SUS304)
 - EMI PLATE: STAINLESS STEEL (SUS304)
- PLATING SPECIFICATION:
 - TERMINAL:
 - Ni 50u" MIN. UNDER PLATED OVER ALL.
 - Au PLATED ON THE FUNCTIONAL AREA OF CONTACT. (GOLD PLATING THICKNESS FOLLOW THE P/N)
 - PLATING SPECIFICATIONS OF THE SOLDER AREA FOLLOW THE P/N
 - FRONT SHELL:
 - Ni 30u" MIN. UNDER PLATED OVER ALL.
 - MID PLATE & EMI PLATE:
 - CLEAR ONLY
- MECHANICAL PERFORMANCE,
 - INSERTION FORCE: 0.5~2.0kgf.
 - REMOVAL FORCE: 0.8kgf~2.0kgf.
 - DURABILITY: 10000 CYCLES.
- ELECTRICAL PERFORMANCE,
 - VOLTAGE RATING: 5V.
CURRENT RATING: 5A.
 - LLCR:
 - VBUS & GND PINS AND OTHER PINS: 40mΩ/PIN MAX.
 - LLCR MAX. CHANGE OF ALL PINS: 10mΩ.
 - INSULATION RESISTANCE: 100MΩ MIN
 - DIELECTRIC WITHSTAND VOLTAGE, AC 100V FOR 1 MINUTE.
- ENVIRONMENTAL PERFORMANCE:
 - OPERATING TEMPERATURE: -25°C~+85°C.
- IR REFLOW:
 - THE PEAK TEMPERATURE ON THE BOARD SHALL BE MAINTAINED FOR 10 SECONDS AT 260°C.

TOLERANCE

| | | | |
|------|-------|------|------|
| X.X | ±0.30 | X.° | ±10° |
| .XX | ±0.20 | .X° | ±8° |
| .XXX | ±0.10 | .XX° | ±5° |



FOR YOUR VITAL CONNECTION

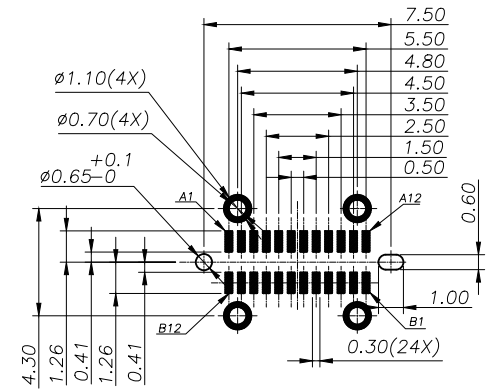
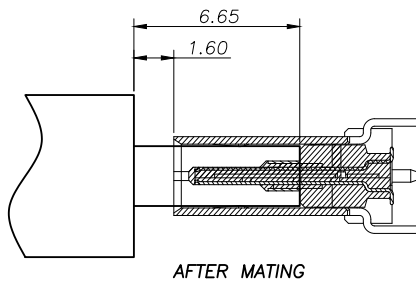
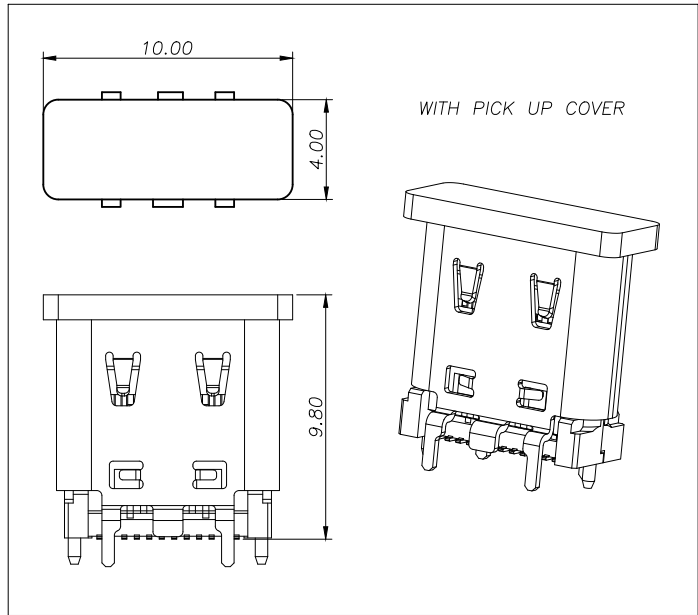
TITLE: USB CF VERTICAL (L=8.8)

| | | | | | | | |
|--------------|----------|-------------|----------------------|--------------------------|--------|-------|----|
| DRAWN BY: | Zou Long | PART NO: | UC-101579-12003-F9 | SHEET: | 1 OF 3 | REV: | A0 |
| CHECKED BY: | Bob | DWG NO: | D-UC-101579-12003-F9 | SIZE: | A4 | UNIT: | mm |
| APPROVED BY: | QPF | PROJECTION: | | http://www.vitalconn.com | | | |

For technical support, please send an email to support@vitalconn.com



| | | | |
|------|----------|------|------------|
| REV: | ECN. NO. | NAME | DATE |
| A0 | ----- | --- | 04-03-2026 |



RECOMMENDED PCB LAYOUT(TOP VIEW)
THICKNESS 1.0±0.10MM;DEFAULT TOLERANCE:±0.05

USB TYPE-C PIN ASSIGNMENTS

| PIN NUMBER | SIGNAL NAME | PIN NUMBER | SIGNAL NAME |
|------------|-------------|------------|-------------|
| A1 | GND | B12 | GND |
| A2 | TXp1 | B11 | RXp1 |
| A3 | TXn1 | B10 | RXn1 |
| A4 | Vbus | B9 | Vbus |
| A5 | CC1 | B8 | SBU2 |
| A6 | Dp1 | B7 | Dn2 |
| A7 | Dn1 | B6 | Dp2 |
| A8 | SBU1 | B5 | CC2 |
| A9 | Vbus | B4 | Vbus |
| A10 | RXn2 | B3 | TXn2 |
| A11 | RXp2 | B2 | TXp2 |
| A12 | GND | B1 | GND |

ORDER INFORMATION

P/N: UC-101579-12003-F9

CONTACT FUNCTIONAL AREA PLATED
 01: Au 1u"
 03: Au 3u"
 15: Au 15u"
 30: Au 30u"

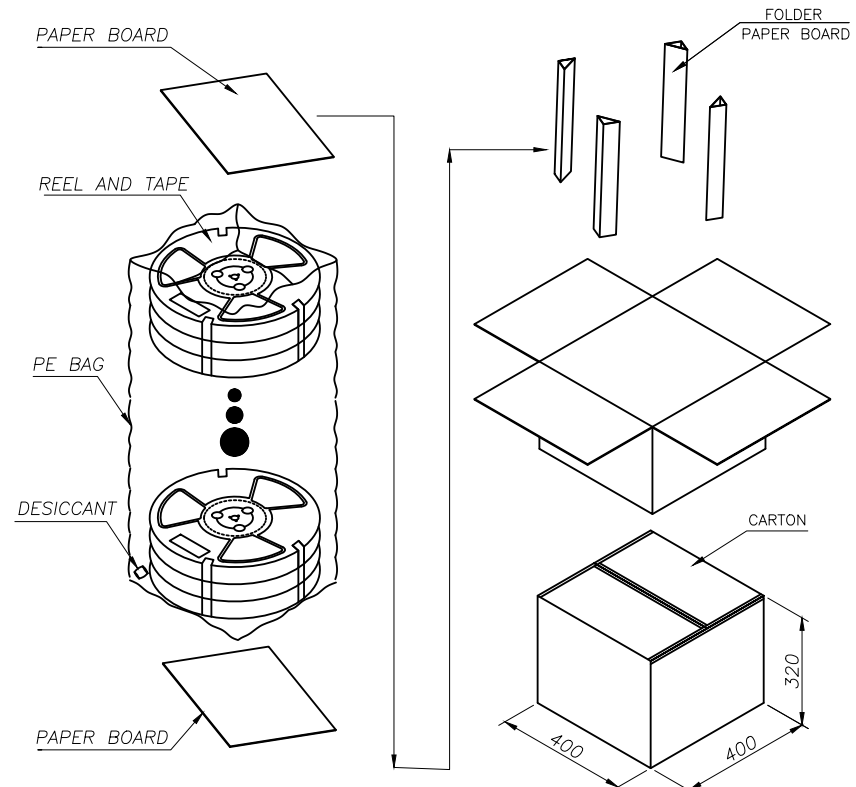
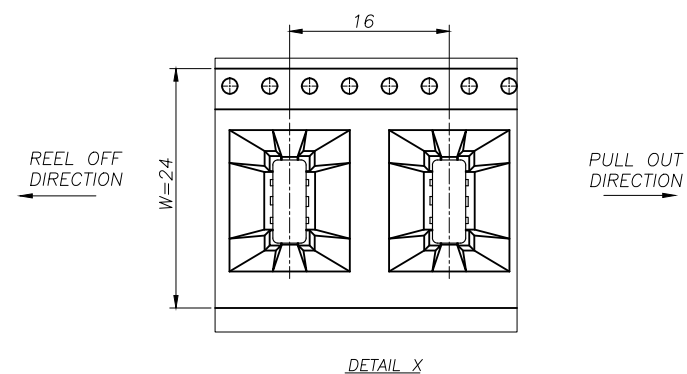
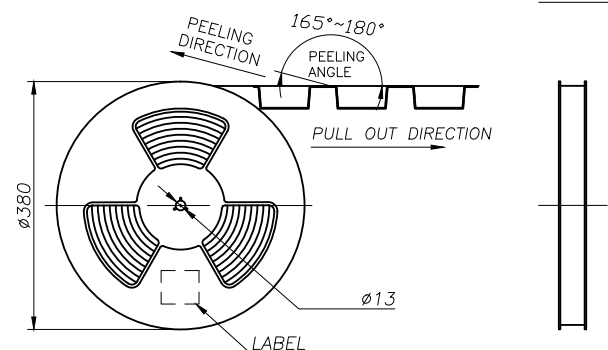
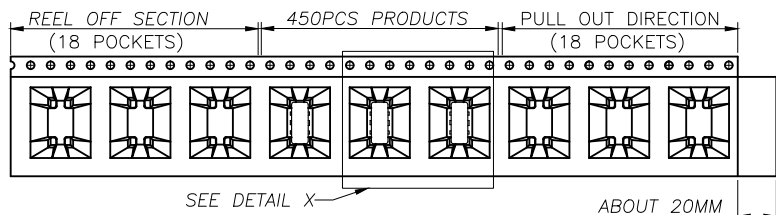
CONTACT SOLDER AREA PLATED
 0: Sn

| | | | | | |
|------------|----------|-------------------------------|------------------------------|--------------------------|---------|
| TOLERANCE | | a vital connector company | FOR YOUR VITAL CONNECTION | | |
| X.X ±0.30 | X.° ±10° | | | | |
| .XX ±0.20 | .X° ±8° | TITLE: USB CF VERTICAL(L=8.8) | | | |
| .XXX ±0.10 | .XX° ±5° | DRAWN BY: Zou Long | PART NO: UC-101579-12003-F9 | SHEET: 2 OF 3 | REV: A0 |
| | | CHECKED BY: Bob | DWG NO: D-UC-101579-12003-F9 | SIZE: A4 | UNIT:mm |
| | | APPROVED BY: QPF | PROJECTION: | http://www.vitalconn.com | |

For technical support, please send an email to support@vitalconn.com



| | | | |
|------|----------|------|------------|
| REV: | ECN. NO. | NAME | DATE |
| A0 | ----- | --- | 04-03-2026 |



| | | |
|-----------------|-----------|--------|
| | REEL/TRAY | CARTON |
| CONNECTOR (PCS) | 450 | 4500 |

| | | | | | | | | | |
|--------------|------------|-------------|----------------------|---|------------------------|-------|------|----------------|----|
| TOLERANCE | | | | FOR YOUR VITAL CONNECTION | | | | | |
| X.X | ± 0.30 | | | | | | X.° | $\pm 10^\circ$ | |
| .XX | ± 0.20 | | | | | | .X.° | $\pm 8^\circ$ | |
| .XXX | ± 0.10 | .XX.° | $\pm 5^\circ$ | TITLE: | USB CF VERTICAL(L=8.8) | | | | |
| DRAWN BY: | Zou Long | PART NO: | UC-101579-12003-F9 | SHEET: | 3 OF 3 | REV: | A0 | | |
| CHECKED BY: | Bob | DWG NO: | D-UC-101579-12003-F9 | SIZE: | A4 | UNIT: | mm | FCN: | F9 |
| APPROVED BY: | QPF | PROJECTION: | | http://www.vitalconn.com | | | | | |

For technical support, please send an email to support@vitalconn.com