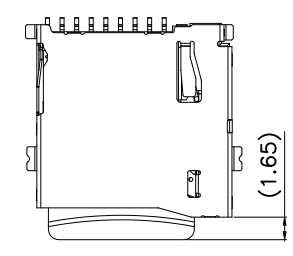
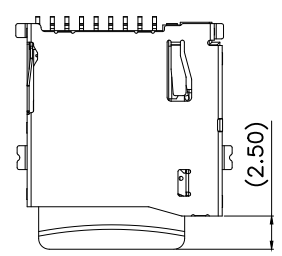
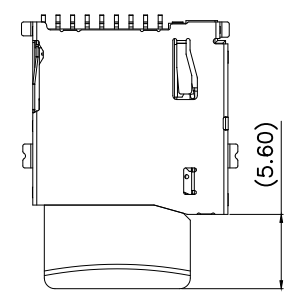
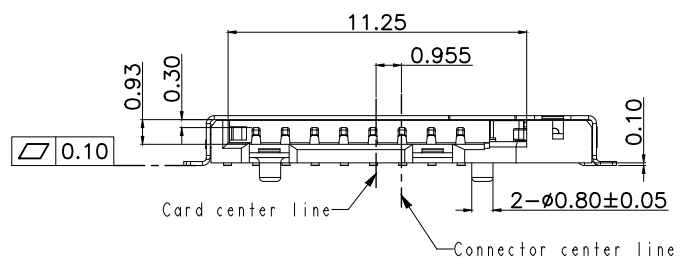
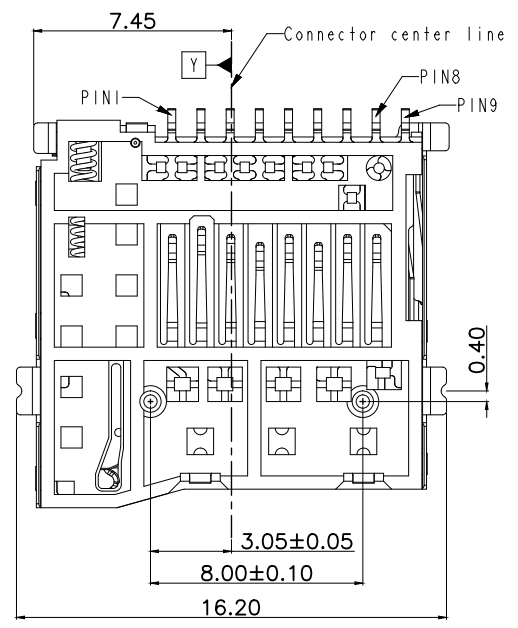
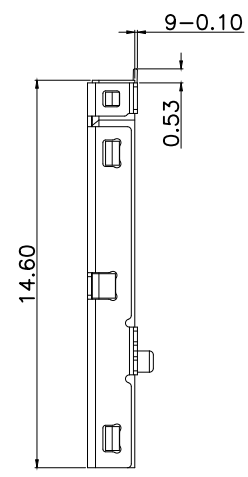
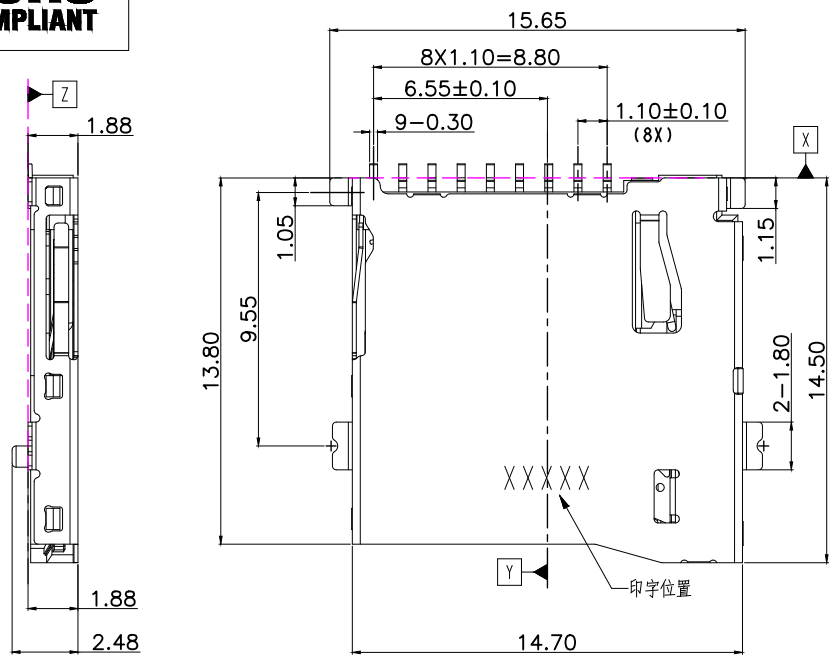




REV:	ECN. NO.	NAME	DATE
A0	----	---	04-07-2026

A
B
C
D
E
F



DIMENSIONS INIT: mm
UNLESS OTHERWISE SPECIFIABLE
DIMENSION TOLERANCE
X.X: ±0.35
X.XX: ±0.25
X.XXX: ±0.10
ANGULAR: ± 2°



FOR YOUR VITAL CONNECTION

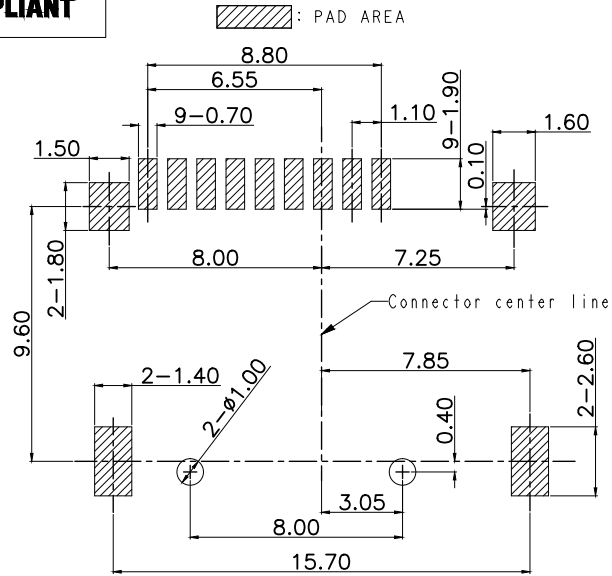
TITLE:	MICRO SD P-P H1.85								
DRAWN BY:	Zou Long	PART NO:	CT125018530E7	SHEET:	1 OF 4	REV:	A0		
CHECKED BY:	Bob	DWG NO:	D-CT125018530E7	SIZE:	A4	UNIT:	mm	FCN:	E7
APPROVED BY:	QPF	PROJECTION:		http://www.vitalconn.com					

For technical support, please send an email to support@vitalconn.com

1 2 3 4 5 6 7 8



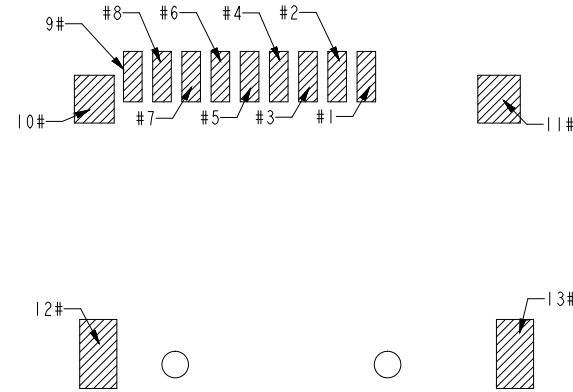
REV:	ECN. NO.	NAME	DATE
A0	----	---	04-07-2026



RECOMMENDED P.C.B LAYOUT
(GENERAL TOLERANCE ±0.05)

PIN ASSIGNMENTS

Pin No.	Name	Description
#1	DAT2	Data Line
#2	CD/DAT3 ²	Card Detect/Data Line
#3	CMD	Command/Response
#4	VDD	Supply voltage
#5	CLK	Clock
#6	Vss	Supply voltage ground
#7	DAT0	Data Line
#8	DAT1	Data Line
#9	CD	CARD Detect
#10/#11 #12/#13	GND	GND



NOTE:

- 1.MATERIAL:
 - 1-1 PLASTICS: HEAT RESISTANCE POLYMER, UL94V-0,COLOR:BLACK
 - 1-2 CONTACT: COPPER ALLOY
 - 1-3 SHELL; STAINLESS STEEL
- 2.PLATING:
 - 2-1 CONTACT:
 - 2-1-1: CONTACT AREA: Au 1u" PLATING OVER Ni.
 - 2-1-2: SOLDERTAIL AREA: MATTE TIN 80u" MIN. OVER Ni. 50u" MIN
 - 2-2 SHELL: SOLDERABILITY Ni PLATING OVER ALL
- 3.CONTACT AND TAIL COPLANARIT TO BE 0.10mm MAX.
- 4.RECOMMENDING A METAL MORE THAN 0.10 THICK. PLEASE CONFIRM SOLDILITY, IF USE A METAL MASK LESS THAN 0.10mm THICK.
- 5.PRODUCT PACKING: PLEASE REFER TO THE PACKING REGULATION

DIMENSIONS INIT: mm
UNLESS OTHERWISE SPECIFIABLE
DIMENSION TOLERANCE
X.X: ±0.35
X.XX: ±0.25
X.XXX: ±0.10
ANGULAR: ± 2°



FOR YOUR VITAL CONNECTION

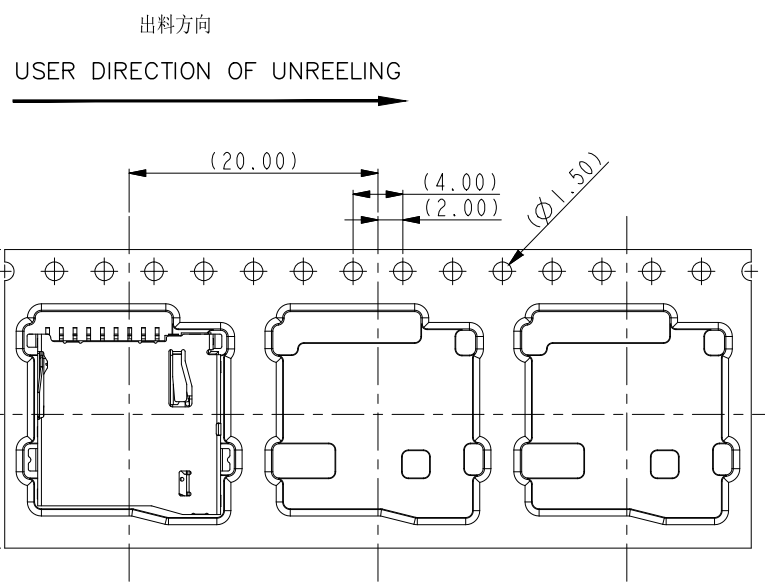
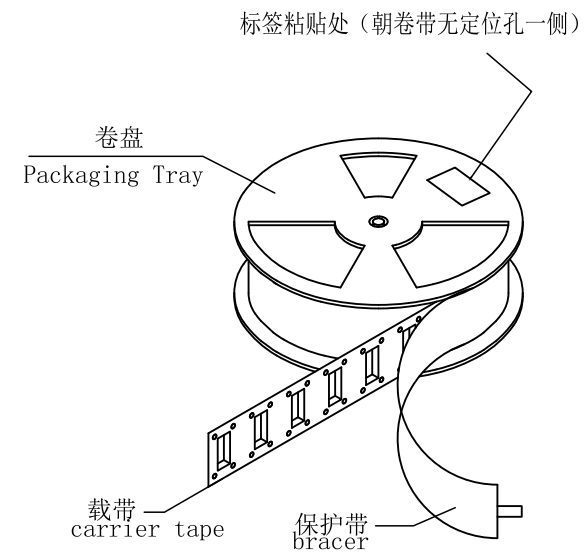
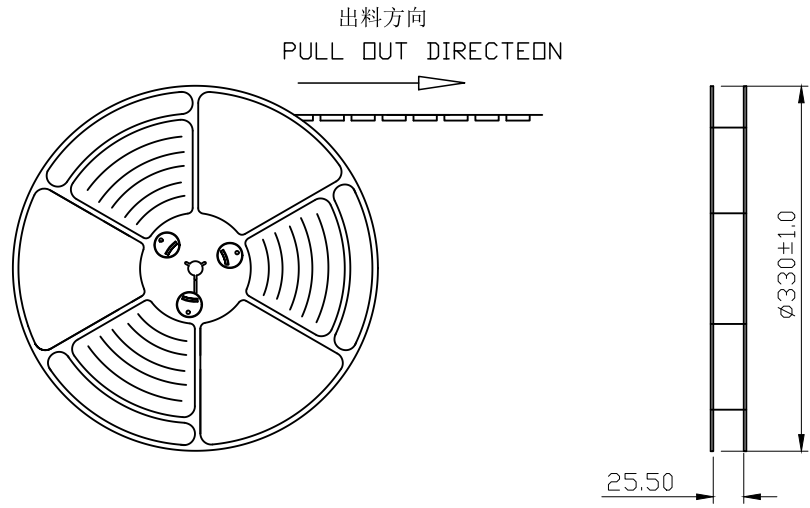
TITLE: MICRO SD P-P H1.85

DRAWN BY:	Zou Long	PART NO:	CT125018530E7	SHEET:	2 OF 4	REV:	A0
CHECKED BY:	Bob	DWG NO:	D-CT125018530E7	SIZE:	A4	UNIT:	mm
APPROVED BY:	QPF	PROJECTION:		http://www.vitalconn.com			

For technical support, please send an email to support@vitalconn.com



REV:	ECN. NO.	NAME	DATE
A0	----	---	04-07-2026

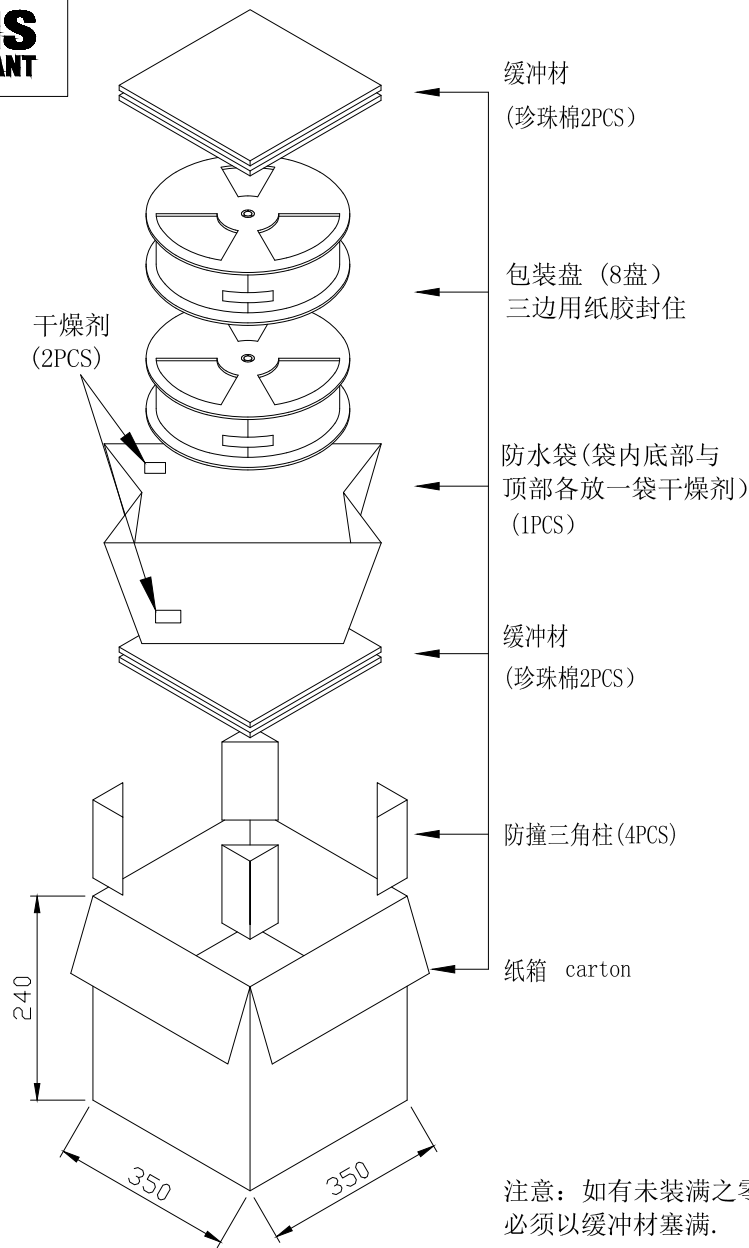


DIMENSIONS IN: mm UNLESS OTHERWISE SPECIFIABLE DIMENSION TOLERANCE X.X: ± 0.35 X.XX: ± 0.25 X.XXX: ± 0.10 ANGULAR: $\pm 2^\circ$				FOR YOUR VITAL CONNECTION	
TITLE:		MICRO SD P-P H1.85			
DRAWN BY:	Zou Long	PART NO:	CT125018530E7	SHEET:	3 OF 4
CHECKED BY:	Bob	DWG NO:	D-CT125018530E7	UNIT:mm	FCN: E7
APPROVED BY:	QPF	PROJECTION:		http://www.vitalconn.com	

For technical support, please send an email to support@vitalconn.com



REV:	ECN. NO.	NAME	DATE
A0	----	---	04-07-2026



10	干燥剂	2PCS
9	三角压线条	4PCS
8	珍珠棉	4PCS
7	纸箱	1PCS
6	保护带	7PCS
5	自粘上带	18.8M*7
4	卷盘	7PCS
3	PE防水袋	1PCS
2	载带 (PS BLACK)	18.6M*7
1	MicroSD卡座	6300PCS

备注:

1. 每卷载带前留15PCS后留15PCS空格不使用.
2. 每卷载带包装900PCS. 卡座.
3. 以自粘上带覆盖经包装机冷封包装.
4. 以保护带覆盖于外圈再以胶带固定并粘贴卷盘标签.
5. 将7卷包装好的产品放入PE防水袋, 防水袋的上下各放置2PCS珍珠棉, 以胶带固定PE防水袋.
6. 将包装好的7卷产品放入纸箱, 外箱用胶带呈“工”字形封口.
7. 外箱标签的贴法请参照客户资料.

注意: 如有未装满之零数箱, 必须以缓冲材塞满.

DIMENSIONS IN: mm	
UNLESS OTHERWISE SPECIFIABLE	
DIMENSION	TOLERANCE
X. X:	±0.35
X. XX:	±0.25
X. XXX:	±0.10
ANGULAR:	± 2°



FOR YOUR VITAL CONNECTION

TITLE: MICRO SD P-P H1.85

DRAWN BY:	Zou Long	PART NO:	CT125018530E7	SHEET:	4 OF 4	REV:	A0
CHECKED BY:	Bob	DWG NO:	D-CT125018530E7	SIZE:	A4	UNIT:	mm
APPROVED BY:	QPF	PROJECTION:		http://www.vitalconn.com			

For technical support, please send an email to support@vitalconn.com