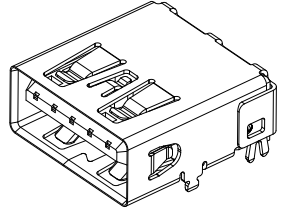
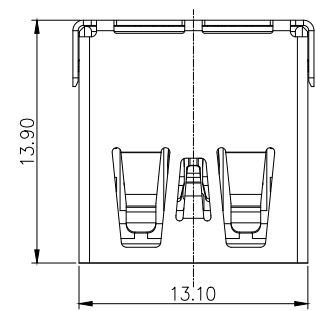
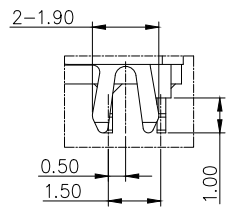




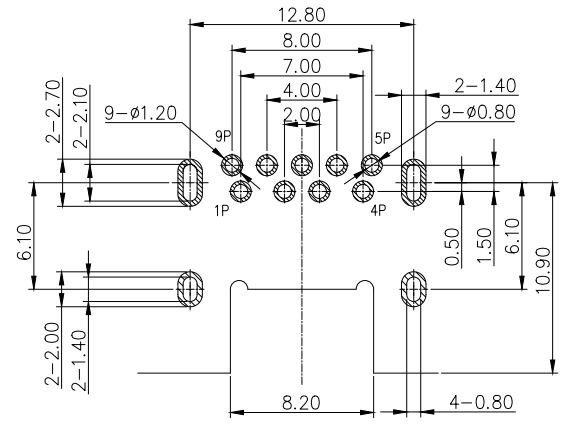
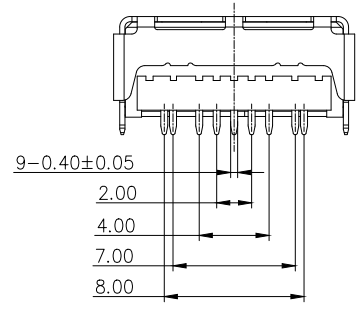
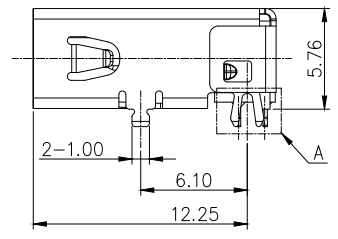
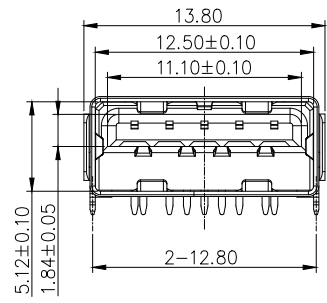
REV:	ECN. NO.	NAME	DATE



3D VIEW



DETAIL A  
2:1



RECOMMENDED PCB LAYOUT(TOP VIEW)  
TOLERANCE: ±0.05



- NOTES:
- MATERIAL:
    - Housing: High Temperature Thermoplastic UL94V-0; Color BLUE.
    - Terminal: Copper Alloy, T=0.25mm, Contact Au: 1u"Min plating ; solder MATTE TIN 100~160u", Ni: 50u"Min
    - Shell: Stainless Steel, T=0.30mm, plating Ni: 30u"Min
  - SPECIALITY:
    - Rated current: 1A
    - Rated voltage: 30V
    - Contact Resistance: 30mΩ MAX
    - Insulation Resistance: 100MΩ MIN 500V DC
    - Dielectric withstanding voltage: 100V AC.
    - Solder ability: 255±5°C, 5±0.5s.
    - Durability: 5000 Cycles Min.
    - INSERTION FORCE: 35N Max
    - EXTRACTION FORCE: 10N Min INITIAL, 8N Min AFTER TEST
    - Operating condition: Temperature -40°C~+85°C; Humidity 80% R.H MAX

9	STDA_SSTX-	USB3.0
8	STDA_SSTX-	
7	GND	
6	STDA_SSRX-	
5	STDA_SSRX-	
4	GND	USB2.0
3	D+	
2	D-	
1	VBUS	
PIN NO	SIGNAL NAME	REMARK

MILLIMETERS	INCH
X° ±2°	X° ±2°
.X ±0.30	.X ±0.012
.XX ±0.20	.X ±0.008
.XXX ±0.10	.X ±0.004



FOR YOUR VITAL CONNECTION

TITLE:	USB 3.0 TOP DIP		
DRAWN BY:	Zou Long	PART NO:	UA4018642E1
CHECKED BY:	Bob	SIZE: A4	UNIT:mm
APPROVED BY:	QPF	PROJECTION	UNIT:mm
			SHEET: 1 OF 2
			FCN: E1
			http://www.vitalconn.com

For technical support, please send an email to support@vitalconn.com

A  
B  
C  
D  
E  
F

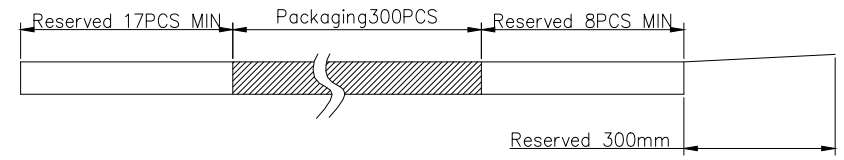
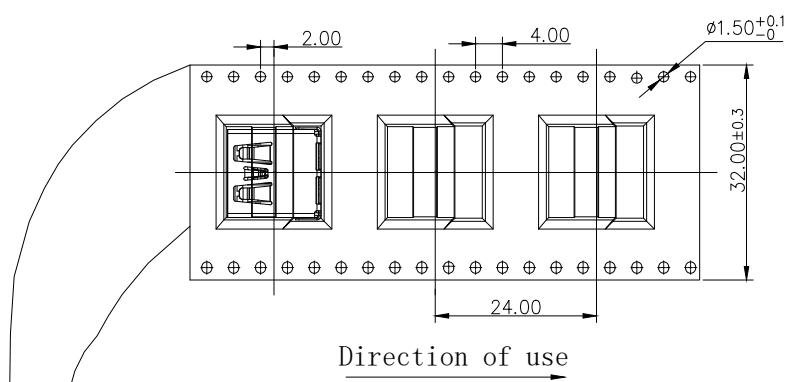
A  
B  
C  
D  
E  
F



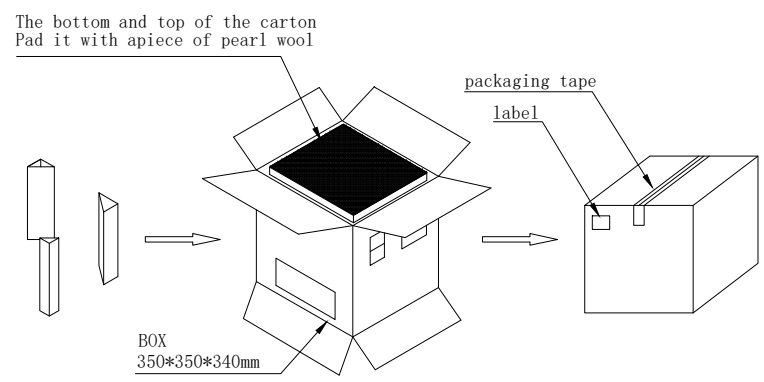
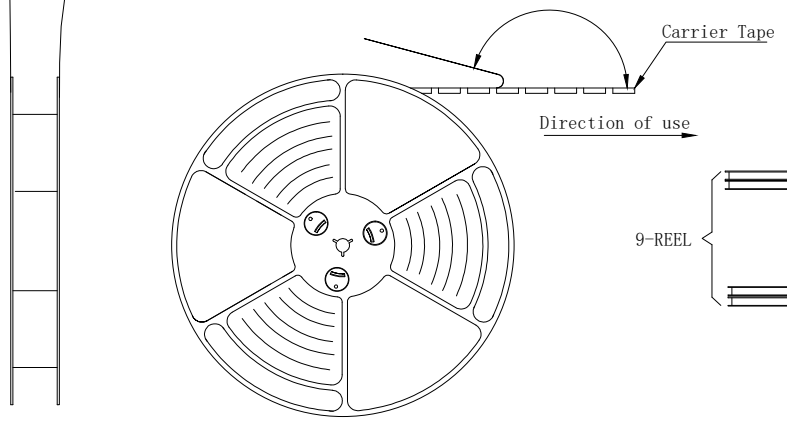
REV:	ECN. NO.	NAME	DATE

NOTES:

- 1、Packing quantity per plate: 300PCS/Plate
- 2、Loading and packing method



3、Total packaging: 2700PCS/Box



Part Number	Description	Quantity
303020111	Carrierband Lucent,PET W=32 PH=24,T=0.4	70.2M
303040009	Box K=K,T=7.0,350*350*340	1PCS
303060001	PE Bag T=0.08mm 730*760*730	1PCS
303070028	Self-adhesive W=25.50	72.9M
303110001	Beam K=K T=7.0,95*95*290	4PCS
303130001	Pearl Wool 340*340*18	2PCS
303180021	REEL BLUE 13Inches*32mm φ330	9PCS
UA4018642E1	USB 3.0 TOP DIP	2700PCS

MILLIMETERS X°. ±2° .X ±0.30 .XX ±0.20 .XXX ±0.10		INCH X°. ±2° .X ±0.012 .X ±0.008 .X ±0.004				FOR YOUR VITAL CONNECTION	
DRAWN BY: Zou Long		PART NO: UA4018642E1		TITLE: USB 3.0 TOP DIP		REV: A	
CHECKED BY: Bob		SIZE: A4		UNIT:mm		SHEET:2 OF 2 FCN: E1	
APPROVED BY: QPF		PROJECTION				<a href="http://www.vitalconn.com">http://www.vitalconn.com</a>	

For technical support, please send an email to [support@vitalconn.com](mailto:support@vitalconn.com)