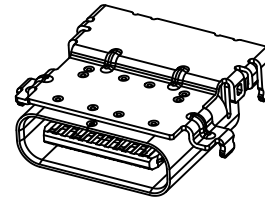
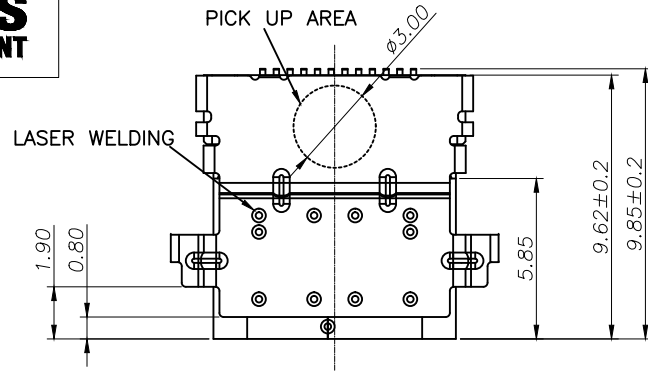




REV:	ECN. NO.	NAME	DATE
A0	-----	-----	04-03-2026



3D VIEW

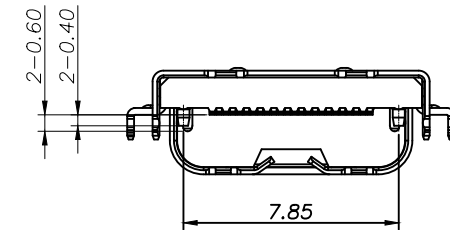
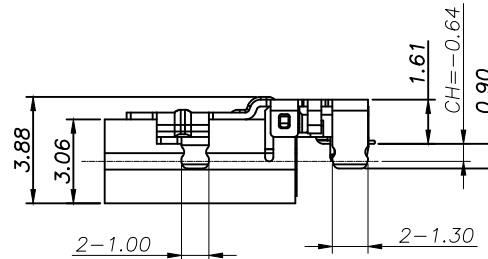
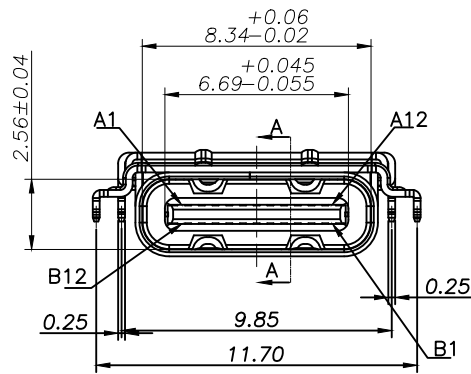
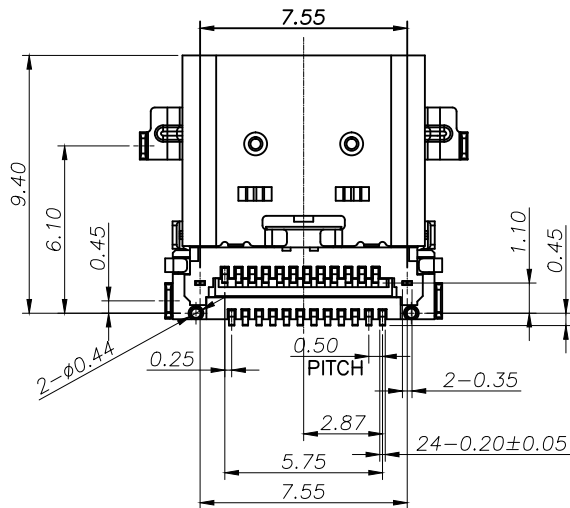


TABLE 1

UC-101607-12103-F9
CONTACT AREA PLATED 03: Au 3u"
CONTACT SOLDER AREA PLATED Au 1u"



TOLERANCE

∅	FE
∅	Å
∅	Å



FOR YOUR VITAL CONNECTION

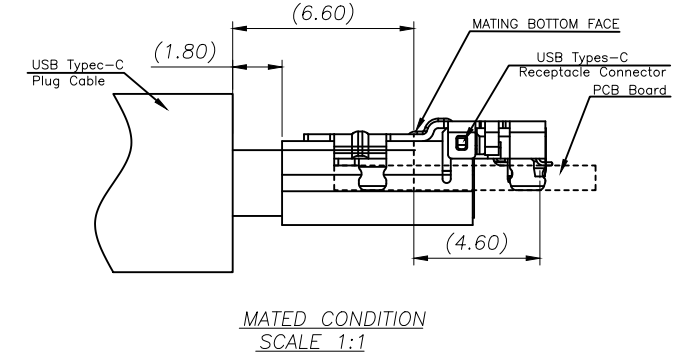
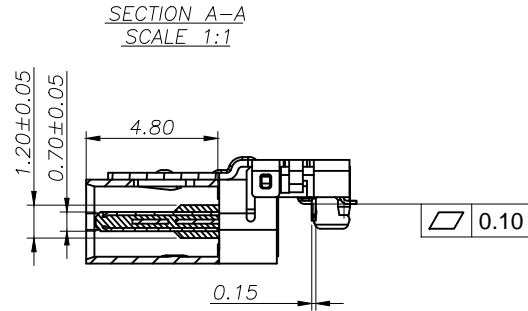
TITLE: USB CF 24PIN SMT TYPE MID MOUNT CH=-0.64mm

DRAWN BY:	Zou Long	PART NO:	UC-101607-12103-F9	SHEET:	1 OF 4	REV:	A0
CHECKED BY:	Bob	DWG NO:	D-UC-101607-12103-F9	SIZE:	A4	UNIT:	mm
APPROVED BY:	QPF	PROJECTION:			<a href="http://www.vitalconn.com">http://www.vitalconn.com</a>		

For technical support, please send an email to [support@vitalconn.com](mailto:support@vitalconn.com)



REV:	ECN. NO.	NAME	DATE
A0	-----	-----	04-03-2026



NOTE:

- 1.MATERIAL SPECIFICATION:
  - 1.HOUSING:HIGH TEMPERATURE RESISTANT PLASTIC,UL94 V-0.(PA9T,BLACK)
  - 2.CONTACTS:COPPER ALLOY (C18150)
  - 3.MID PLATE: STAINLESS STEEL (SUS301)
  - 4.INNER SHELL: STAINLESS STEEL (SUS304)
  - 5.OUT SHELL: STAINLESS STEEL (SUS304)
- 2.PLATING SPECIFICATION:
  - 2-1.CONTACTS:
    - Ni 50u" MIN. UNDER PLATED OVER ALL.
    - Au 3u" PLATED ON CONTACT AREA.
    - Au GOLD FLASH ON SOLDER AREA.
  - 2-2.FRONT SHELL:
    - Ni 30u" MIN. UNDER PLATED OVER ALL.
  - 2-3.MID PLATE:
    - Ni 30u" MIN. UNDER PLATED OVER ALL.
    - Sn 80u"MIN. PLATED OVER ALL
  - 2-4.EMI PLATE:
    - CLEAR ONLY
- 3.MECHANICAL PERFORMANCE,
  - 3-1.INSERTION FORCE: 0.5~2.0kgf.
  - 3-2.REMOVAL FORCE: 0.8kgf~2.0kgf.
  - 3-3.DURABILITY: 10000 CYCLES.
- 4.ELECTRICAL PERFORMANCE,
  - 4-1. CURRENT RATING:5.0A  
VOLTAGE RATING:5.0V
  - 4-2. LLCR:
    - VBUS & GND PINS AND OTHER PINS: 40mΩ/PIN MAX.
    - LLCR MAX. CHANGE OF ALL PINS: 10mΩ.
  - 4-3.INSULATION RESISTANCE: 100MΩ MIN
  - 4-4.DIELECTRIC WITHSTAND VOLTAGE,AC 100V FOR 1 MINUTE.
5. ENVIRONMENTAL PERFORMANCE:
  - OPERATING TEMPERATURE: -25°C~+85°C.
- 6.IR REFLOW:
  - THE PEAK TEMPERATURE ON THE BOARD SHALL BE MAINTAINED FOR 10 SECONDS AT 260°C.

USB TYPE-C PIN ASSIGNMENTS

PIN NUMBER	SIGNAL NAME	PIN NUMBER	SIGNAL NAME
A1	GND	B12	GND
A2	TXp1	B11	RXp1
A3	TXn1	B10	RXn1
A4	VBUS	B9	VBUS
A5	CC1	B8	SBU2
A6	Dp1	B7	Dn2
A7	Dn1	B6	Dp2
A8	SBU1	B5	CC2
A9	VBUS	B4	VBUS
A10	RXn2	B3	TXn2
A11	RXp2	B2	TXp2
A12	GND	B1	GND

TOLERANCE

$\sqrt{B} \sqrt{A} \sqrt{C} \sqrt{E}$      $\sqrt{B} \sqrt{A} \sqrt{F} \sqrt{E}$   
 $\sqrt{Y} \sqrt{A} \sqrt{C} \sqrt{E}$      $\sqrt{Y} \sqrt{A} \sqrt{A} \sqrt{A}$   
 $\sqrt{Y} \sqrt{A} \sqrt{C} \sqrt{E}$      $\sqrt{Y} \sqrt{A} \sqrt{A} \sqrt{A}$



FOR YOUR VITAL CONNECTION

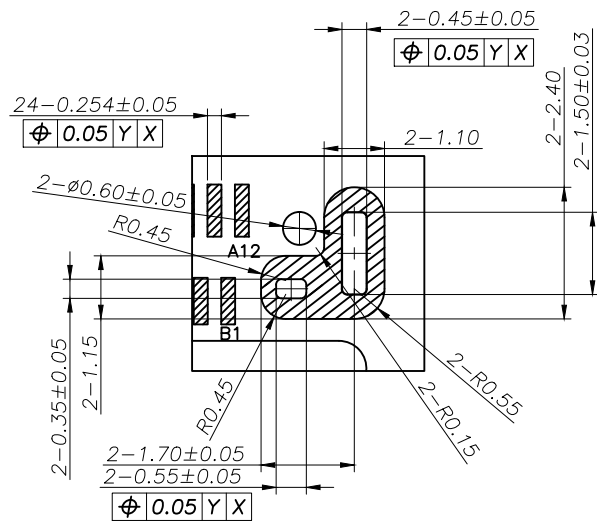
TITLE: USB CF 24PIN SMT TYPE MID MOUNT CH=-0.64mm

DRAWN BY:	Zou Long	PART NO:	UC-101607-12103-F9	SHEET:	2 OF 4	REV:	A0
CHECKED BY:	Bob	DWG NO:	D-UC-101607-12103-F9	SIZE:	A4	UNIT:	mm
APPROVED BY:	QPF	PROJECTION:		http://www.vitalconn.com			

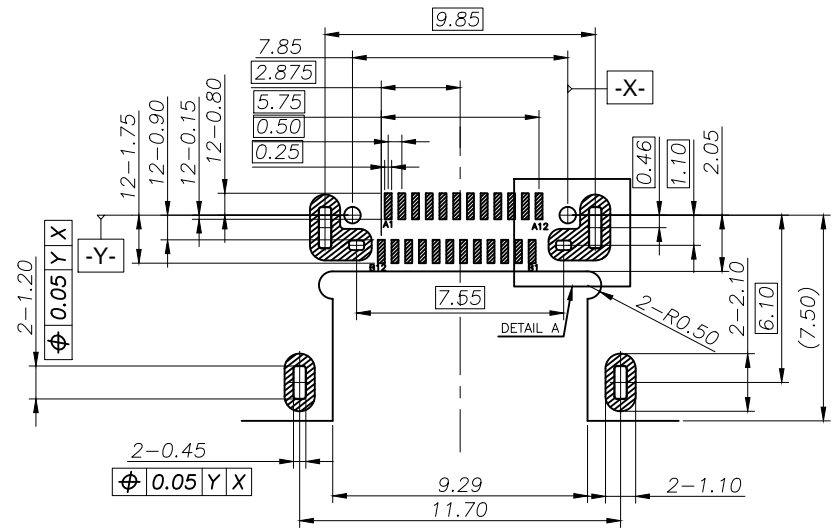
For technical support, please send an email to support@vitalconn.com



REV:	ECN. NO.	NAME	DATE
A0	-----	-----	04-03-2026



SECTION A-A  
SCALE 2:1



RECOMMENDED PCB LAYOUT(TOP VIEW)  
THICKNESS 1.00MM;DEFAULT TOLERANCE:±0.05

TOLERANCE

±0.05	±0.05
±0.10	±0.10
±0.15	±0.15



FOR YOUR  
VITAL CONNECTION

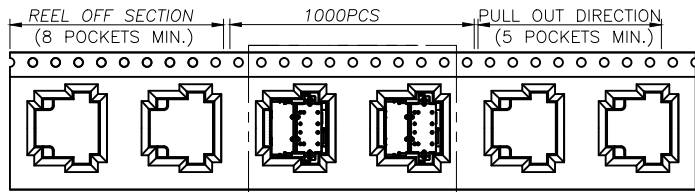
TITLE: USB CF 24PIN SMT TYPE MID MOUNT CH=-0.64mm

DRAWN BY:	Zou Long	PART NO:	UC-101607-12103-F9	SHEET:	3 OF 4	REV:	A0
CHECKED BY:	Bob	DWG NO:	D-UC-101607-12103-F9	SIZE:	A4	UNIT:	mm
APPROVED BY:	QPF	PROJECTION:		http://www.vitalconn.com			

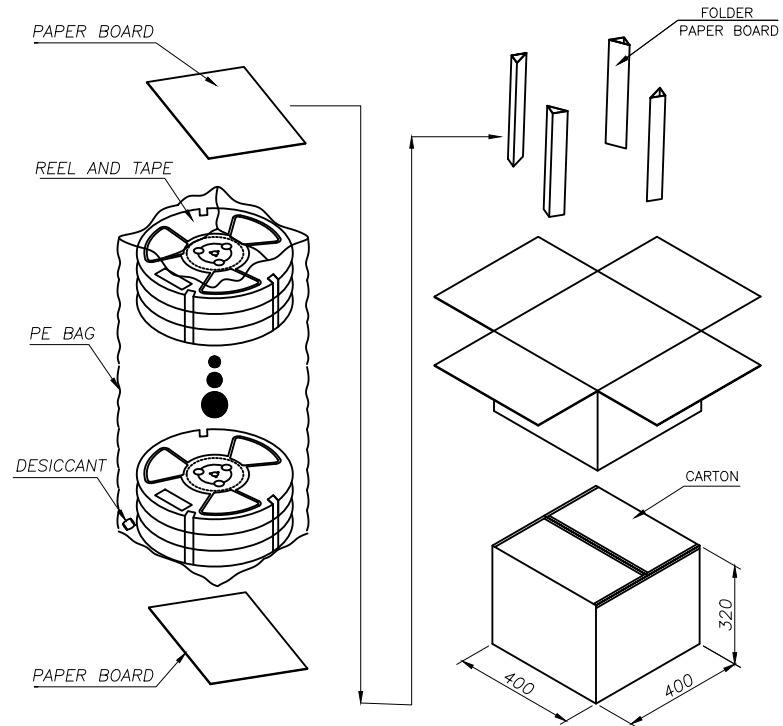
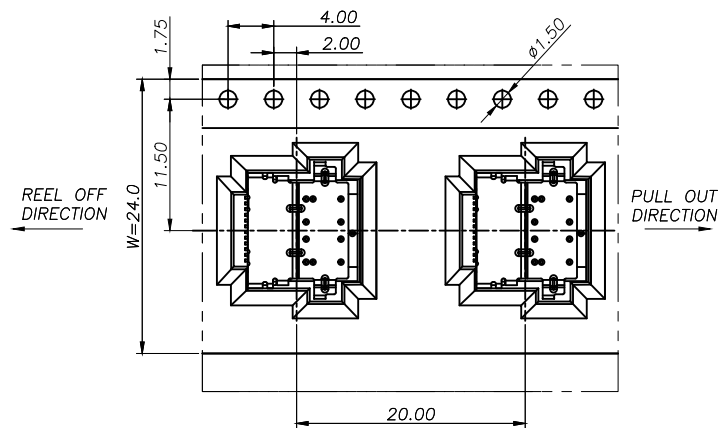
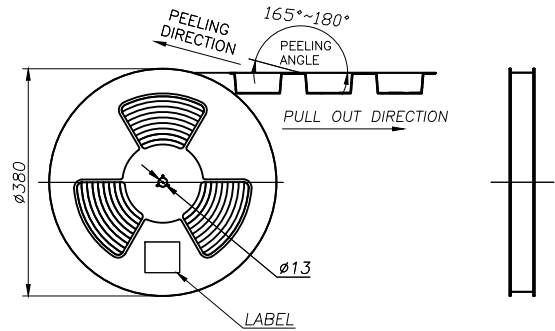
For technical support, please send an email to support@vitalconn.com



REV:	ECN. NO.	NAME	DATE
A0	----	-----	04-03-2026



SEE DETAIL X



	REEL	CARTON
CONNECTOR (PCS)	1000	10000

TOLERANCE

$\pm 0.10$  mm  
 $\pm 0.05$  mm  
 $\pm 0.05$  mm  
 $\pm 0.05$  mm



FOR YOUR VITAL CONNECTION

TITLE: USB CF 24PIN SMT TYPE MID MOUNT CH=-0.64mm

DRAWN BY:	Zou Long	PART NO:	UC-101607-12103-F9	SHEET:	4 OF 4	REV:	A0
CHECKED BY:	Bob	DWG NO:	D-UC-101607-12103-F9	SIZE:	A4	UNIT:	mm
APPROVED BY:	QPF	PROJECTION:		http://www.vitalconn.com			

For technical support, please send an email to support@vitalconn.com