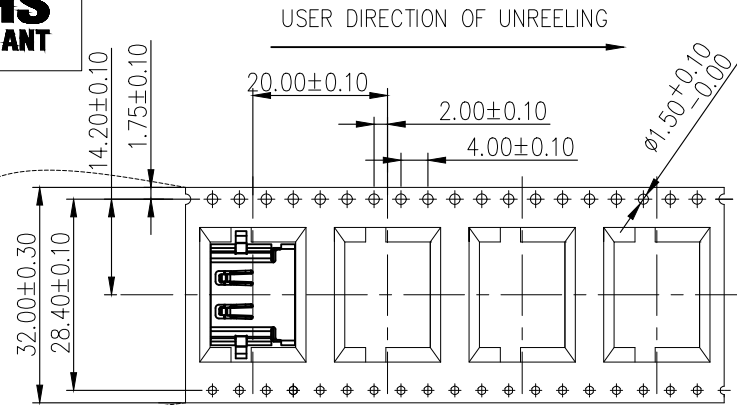


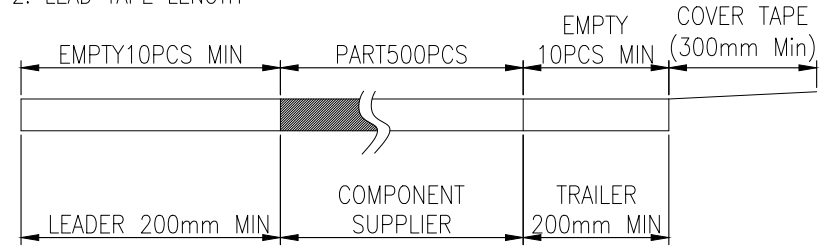


7	8
REV:	ECN. NO.
NAME	DATE

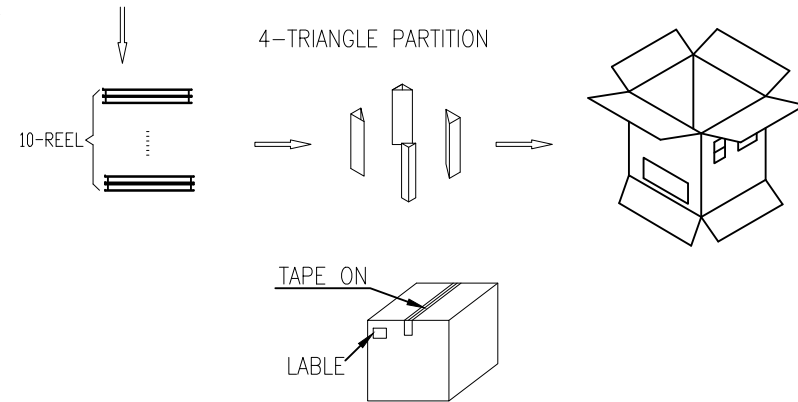
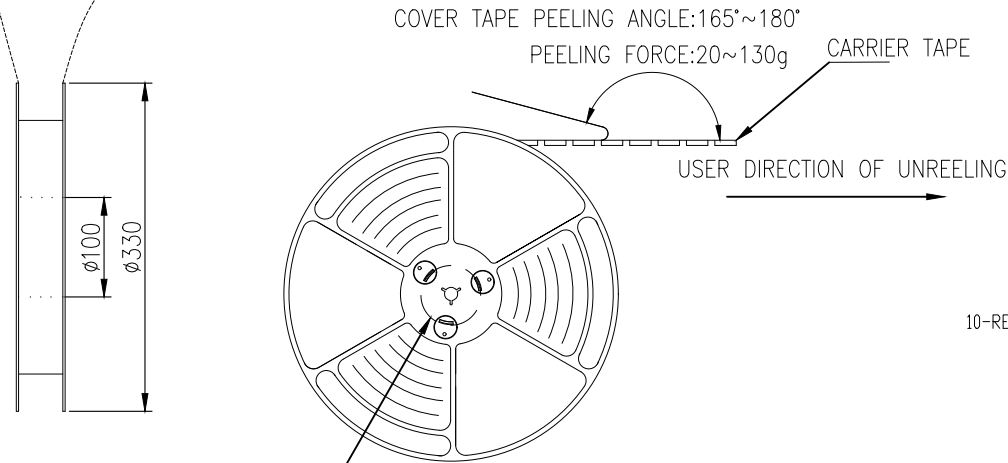


NOTES

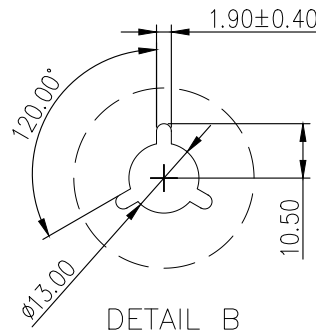
1. NUMBER OF CONNECTORS: 500PCS/REEL
2. LEAD TAPE LENGTH



3. QUANTITY: 5000PCS/CARTON



DETAIL B



MILLIMETERS	INCH	VITALCONN a vital connector company		FOR YOUR VITAL CONNECTION	
$X^\circ \pm 2^\circ$	$X^\circ \pm 2^\circ$	TITLE:		HDMI AF 90°反向沉板CH0.6	
$.X \pm 0.30$	$.XX \pm 0.012$			PART NO: HMA2011032E1	
$.XX \pm 0.20$	$.XXX \pm 0.008$			REV: A0	FCN: E1
$.XXX \pm 0.10$	$.XXXX \pm 0.004$	DRAWN BY: Zou Long		UNIT:mm	SHEET:2 OF 2
CHECKED BY: Bob		PART NO:		http://www.vitalconn.com	
APPROVED BY: QPF		SIZE: A1		PROJECTION	

For technical support, please send an email to support@vitalconn.com