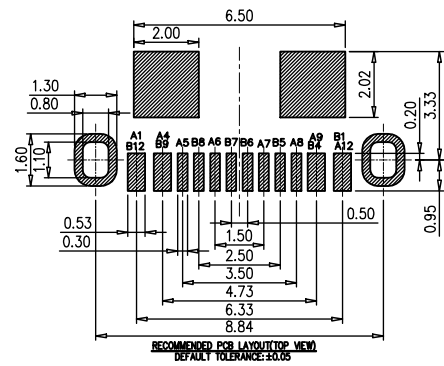
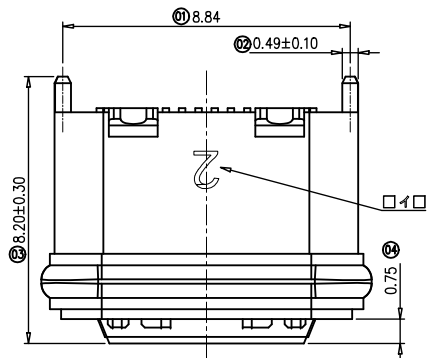




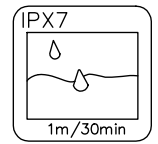
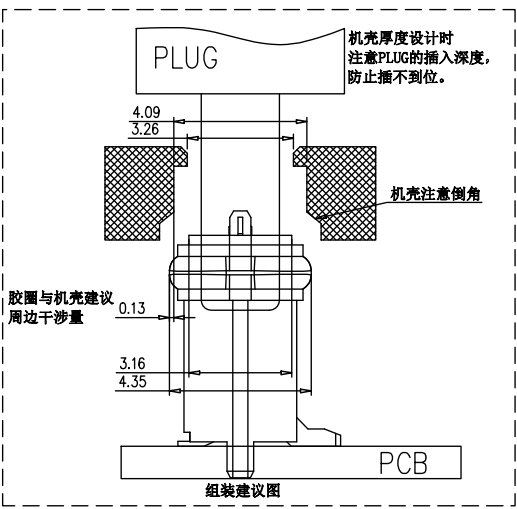
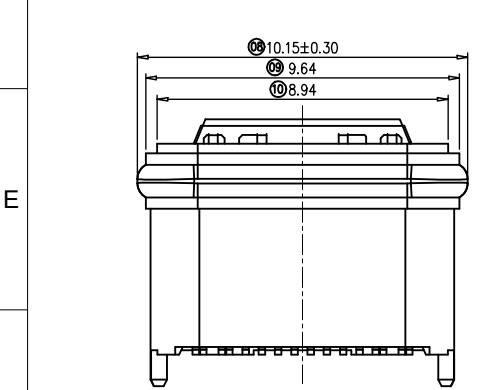
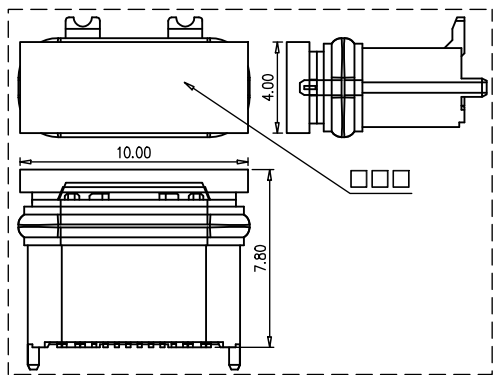
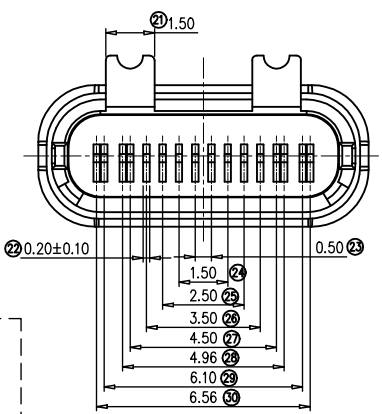
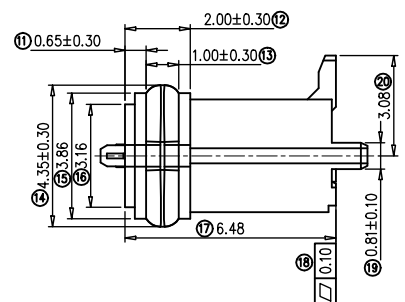
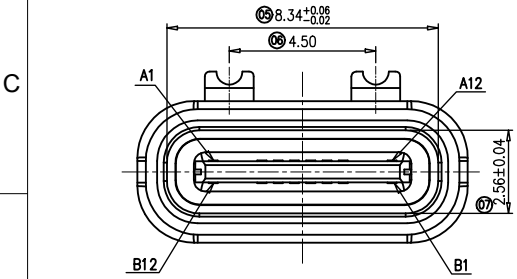
REV:	ECN. NO.	NAME	DATE
A0	----	-----	04-29-2026



USB TYPE-C PIN ASSIGNMENTS

PIN NUMBER	SIGNAL NAME	PIN NUMBER	SIGNAL NAME
A1	GND	B12	GND
A4	VBUS	B9	VBUS
A5	CC1	B8	SBU2
A6	Dp1	B7	Dn2
A7	Dn1	B6	Dp2
A8	SBU1	B5	CC2
A9	VBUS	B4	VBUS
A12	GND	B1	GND

- NOTES:
- MATERIAL:
    - HOUSING: PA10T UL94V-0; COLOR: BLACK
    - CONTACT: C7025
    - SHELL: ZINC ALLOY
    - MID PLATE: SUS301
    - O RING: SILICA GEL HCR 9150 UE COLOR: WHITE
    - EPOXY: BLACK
  - FINISH:
    - TERMINAL: 1u" PLATED ON CONTACT AREA; G/F PLATED ON SOLDER AREA; Ni 20u" MIN. UNDERPLATED OVERALL.
    - SHELL: Ni 20u" MIN. PLATED OVERALL.
    - MID PLATE
  - ELECTRICAL SPECIFICATION:
    - RATED CURRENT: VBUS AND GND PIN 3A; Other pin 0.25A
    - CONTACT RESISTANCE: 40mΩ MAX(INITIAL), 50mΩ MAX (AFTER).
    - INSULATION RESISTANCE: 100MΩ MIN.
    - DIELECTRIC WITHSTANDING VOLTAGE: 100V AC R.M.S.
  - MACHINERY SPECIFICATION:
    - MATING FORCE: 5N~20N.  
UNMATING FORCE: 8N~20N. (AFTER TEST: 6N~20N).
    - DURABILITY: 10000 CYCLES MIN.
  - ENVIRONMENTAL SPECIFICATION:
    - OPERATING CONDITION: TEMPERATURE -25°C~+85°C; HUMIDITY 80% R.H. MAX
    - SALT SPRAY: 24H
    - SOLDER ABILITY: 245±5°C, 5±0.5s
    - IR REFLOW: THE PEAK TEMPERATURE ON THE BOARD SHALL BE MAINTAINED FOR 10 SECONDS AT 260°C.
    - WATER PROOFNESS: THIS PRODUCT IS BASED ON IPX7.



MILLIMETERS	INCH
X.° ±2°	X.° ±2°
.X ±0.30	.X ±0.012
.XX ±0.20	.XX ±0.008
.XXX ±0.10	.XXX ±0.004



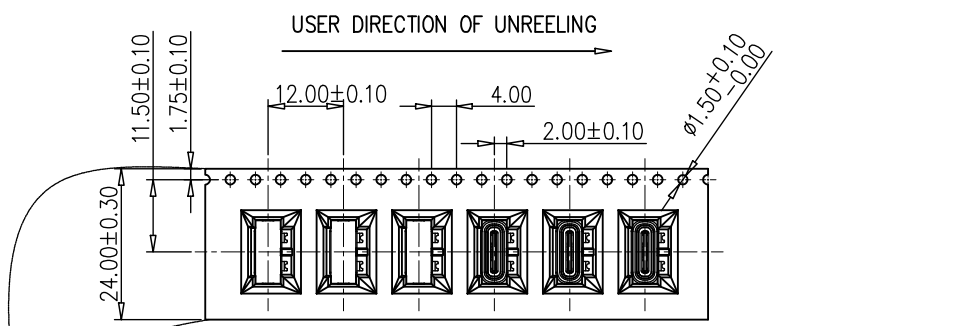
FOR YOUR VITAL CONNECTION

TITLE:	TYPE C 16PIN 立式6.5H 防水母座		
DRAWN BY:	Zou Long	PART NO:	UC3112752E1
CHECKED BY:	Bob	DWG NO:	VTC-TZ-00144
APPROVED BY:	QPF	PROJECTION:	
SHEET:	1 OF 2	REV:	A0
SIZE:	A4	UNIT:	mm
FCN:	E1	<a href="http://www.vitalconn.com">http://www.vitalconn.com</a>	

For technical support, please send an email to [support@vitalconn.com](mailto:support@vitalconn.com)

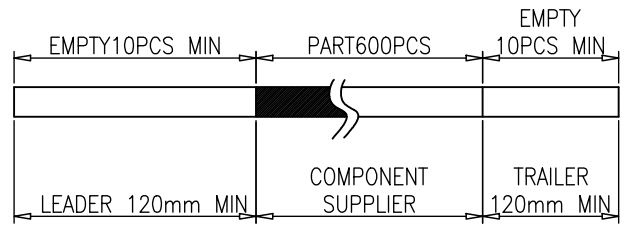


REV:	ECN. NO.	NAME	DATE
A0	----	-----	04-29-2026

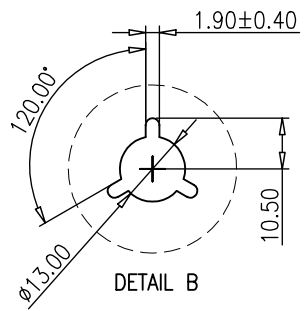
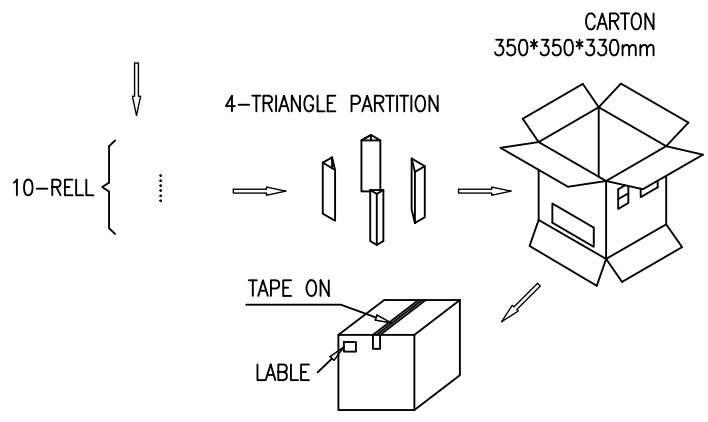
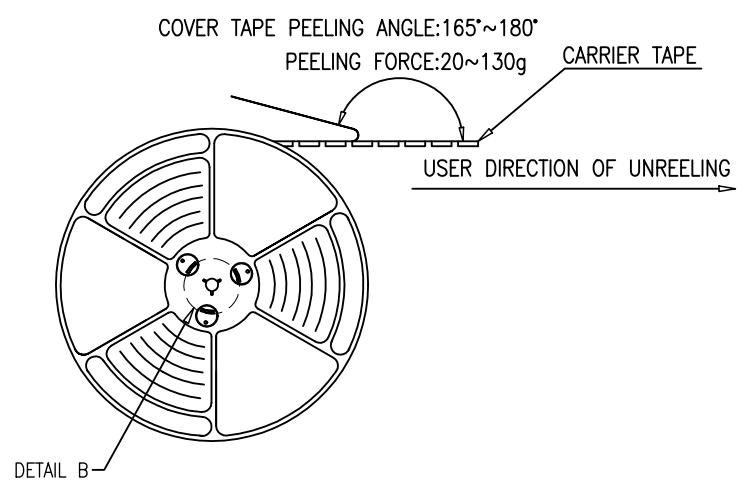


NOTES

1. NUMBER OF CONNECTORS: 600PCS/REEL
2. LEAD TAPE LENGTH



3. QUANTITY: 6000PCS/CARTON



MILLIMETERS	INCH
X.° ±2°	X.° ±2°
.X ±0.30	.X ±0.012
.XX ±0.20	.XX ±0.008
.XXX ±0.10	.XXX ±0.004



FOR YOUR VITAL CONNECTION

TITLE:	TYPE C 16PIN 立式6.5H 防水母座								
DRAWN BY:	Zou Long	PART NO:	UC3112752E1	SHEET:	2 OF 2	REV:	A0		
CHECKED BY:	Bob	DWG NO:	VTC-TZ-00144	SIZE:	A4	UNIT:	mm	FCN:	E1
APPROVED BY:	QPF	PROJECTION:		<a href="http://www.vitalconn.com">http://www.vitalconn.com</a>					

For technical support, please send an email to [support@vitalconn.com](mailto:support@vitalconn.com)