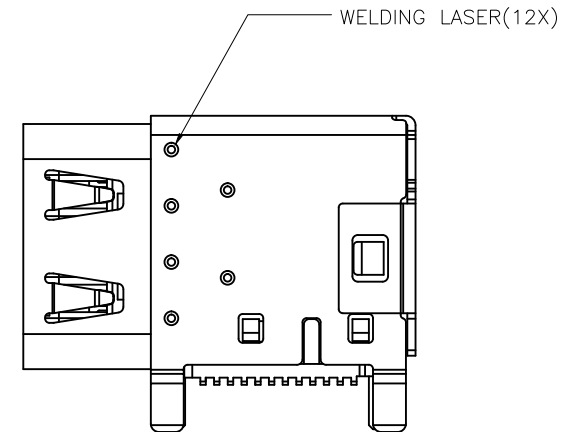
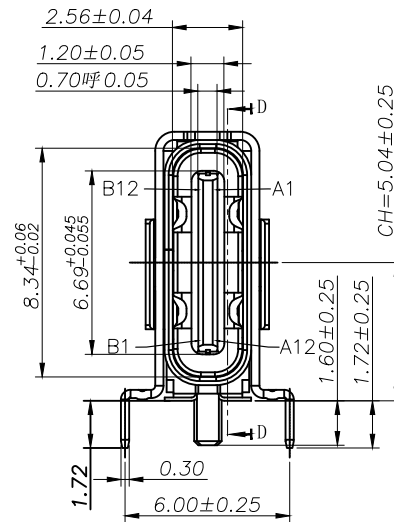
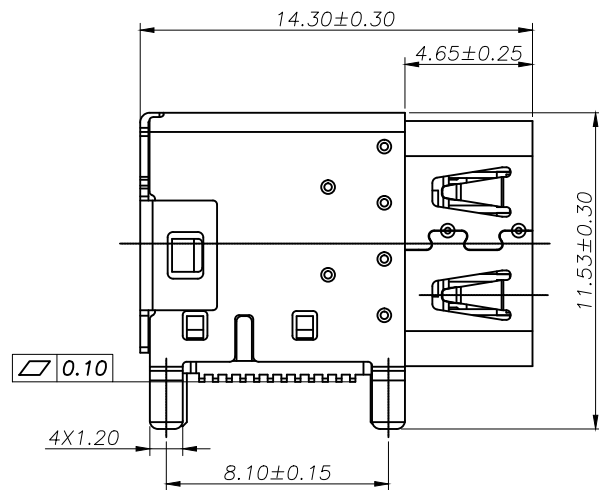
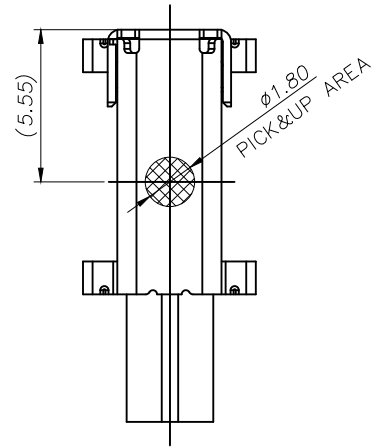
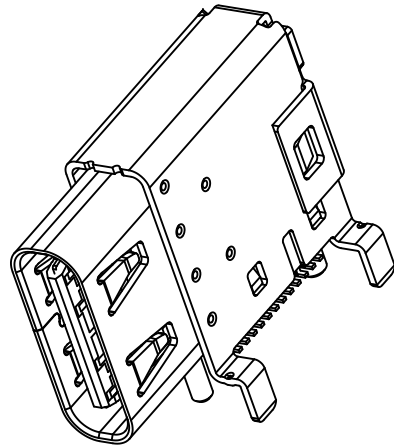




REV:	ECN. NO.	NAME	DATE
A0	-----	---	04-03-2026



TOLERANCE

.XX ±0.30	X.° ±10°
.XX ±0.20	.X° ±8°
.XXX ±0.10	.XX° ±5°



FOR YOUR VITAL CONNECTION

TITLE:

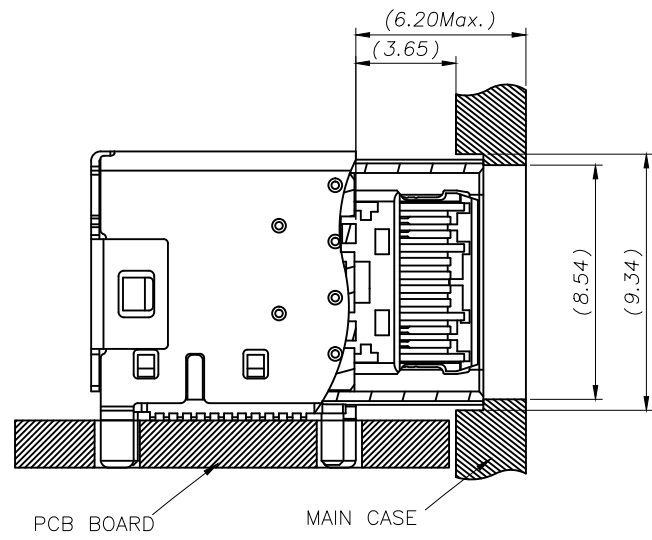
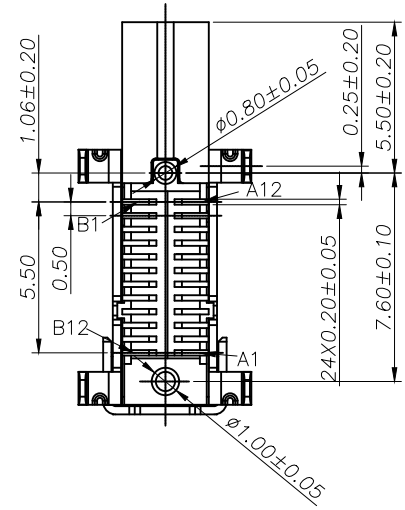
USB TYPE C SMT TYPE
UPRIGHT STRAIGHT TAB 24 PIN

DRAWN BY:	Zou Long	PART NO:	UC32-1E1H1A103-OHR-71	SHEET:	1 OF 4	REV:	A0
CHECKED BY:	Bob	DWG NO:	D-UC32-1E1H1A103-OHR-71	SIZE:	A4	UNIT:	mm
APPROVED BY:	QPF	PROJECTION:		http://www.vitalconn.com			

For technical support, please send an email to support@vitalconn.com



7		8	
REV:	ECN. NO.	NAME	DATE
A0	-----	---	04-03-2026



ASSEMBLY WITH MAIN CASE

NOTE:

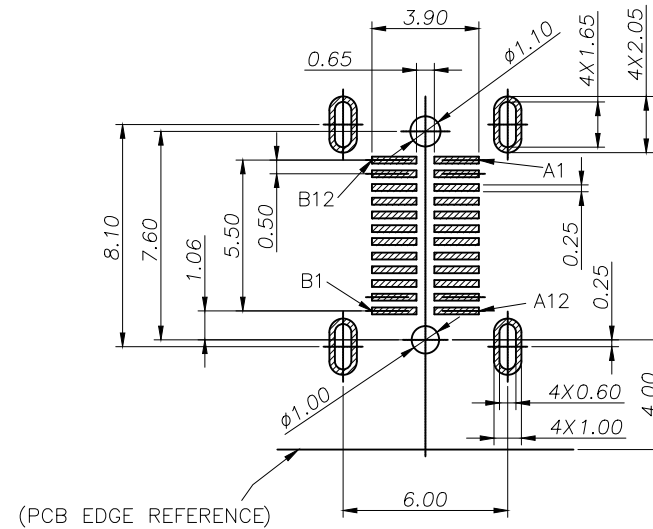
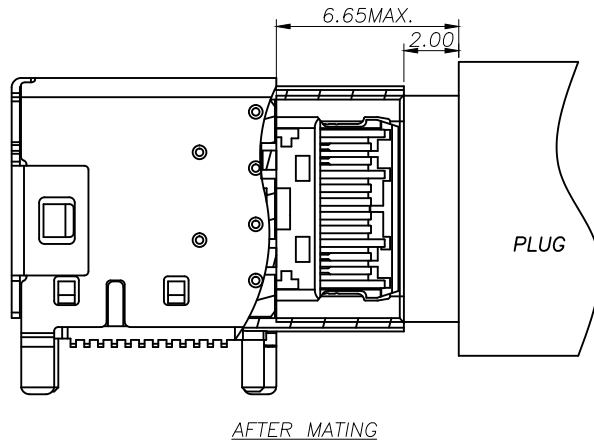
- MATERIAL SPECIFICATION:
 - HOUSING: PA9T, UL94 V-0.
 - TERMINAL: COPPER ALLOY (C18150)
 - MID PLATE: STAINLESS STEEL (SUS301)
 - INNER SHELL: STAINLESS STEEL (SUS304)
 - COVER: STAINLESS STEEL (SUS304)
- PLATING SPECIFICATION:
 - TERMINAL:
 - Ni 50u" MIN. UNDER PLATED OVER ALL.
 - Au PLATED ON THE FUNCTIONAL AREA OF CONTACT.
 - (GOLD PLATING THICKNESS FOLLOW THE P/N)
 - PLATING SPECIFICATIONS OF THE SOLDER AREA FOLLOW THE P/N
 - INNER SHELL & COVER SHELL:
 - Ni 30u" MIN. UNDER PLATED OVER ALL.
 - MID PLATE:
 - CLEAR ONLY
- MECHANICAL PERFORMANCE,
 - INSERTION FORCE: 0.5~2.0kgf.
 - REMOVAL FORCE: 0.8kgf~2.0kgf.
 - DURABILITY: 10000 CYCLES.
- ELECTRICAL PERFORMANCE,
 - VOLTAGE RATING: 5V.
CURRENT RATING: 5A.
 - LLCR:
 - VBUS & GND PINS AND OTHER PINS: 40mΩ/PIN MAX.
 - LLCR MAX. CHANGE OF ALL PINS: 10mΩ.
 - INSULATION RESISTANCE: 100MΩ MIN
 - DIELECTRIC WITHSTAND VOLTAGE, AC 100V FOR 1 MINUTE.
- ENVIRONMENTAL PERFORMANCE:
 - OPERATING TEMPERATURE: -25°C~+85°C.
- IR REFLOW:
 - THE PEAK TEMPERATURE ON THE BOARD SHALL BE MAINTAINED FOR 10 SECONDS AT 260°C.

TOLERANCE		 a vital connector company		FOR YOUR VITAL CONNECTION		
X.X ±0.30	X.° ±10°					
.XX ±0.20	.X° ±8°	TITLE: USB TYPE C SMT TYPE UPRIGHT STRAIGHT TAB 24 PIN				
.XXX ±0.10	.XX° ±5°	DRAWN BY: Zou Long	PART NO: UC32-1E1H1A103-0HR-71	SHEET: 2 OF 4	REV: A0	
		CHECKED BY: Bob	DWG NO: D-UC32-1E1H1A103-0HR-71	SIZE: A4	UNIT: mm	FCN: F9
		APPROVED BY: QPF	PROJECTION:	http://www.vitalconn.com		

For technical support, please send an email to support@vitalconn.com



REV:	ECN. NO.	NAME	DATE
A0	----	---	04-03-2026



USB TYPE-C PIN ASSIGNMENTS

PIN NUMBER	SIGNAL NAME	PIN NUMBER	SIGNAL NAME
A1	GND	B12	GND
A2	TXp1	B11	RXp1
A3	TXn1	B10	RXn1
A4	VBUS	B9	Vbus
A5	CC1	B8	SBU2
A6	Dp1	B7	Dn2
A7	Dn1	B6	Dp2
A8	SBU1	B5	CC2
A9	Vbus	B4	VBUS
A10	RXn2	B3	TXn2
A11	RXp2	B2	TXp2
A12	GND	B1	GND

TABLE 1

ITEM	P/N	HOUSING COLOR	FUNCTIONAL AREA	SOLDER AREA
1	UC32-1E1H1A103-OHR-71	BLACK	Au:3u"	Au:G/F

TOLERANCE	
X.X ±0.30	X.° ±10°
.XX ±0.20	.X° ± 8°
.XXX ±0.10	.XX° ± 5°



FOR YOUR VITAL CONNECTION

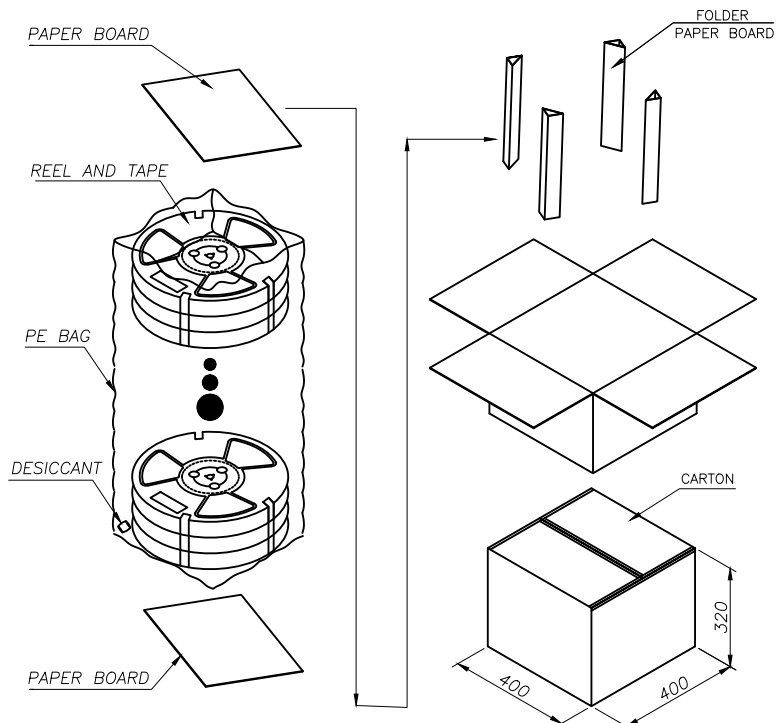
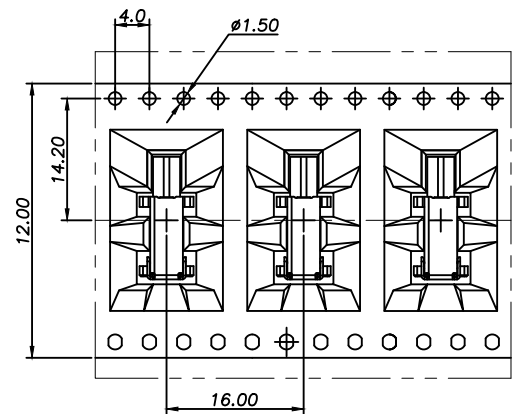
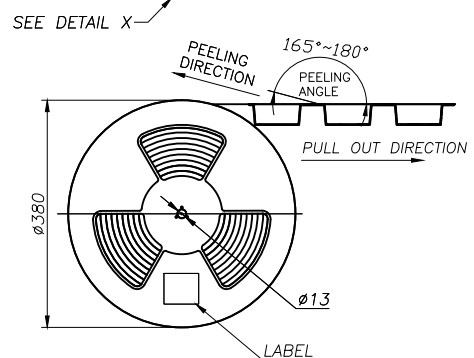
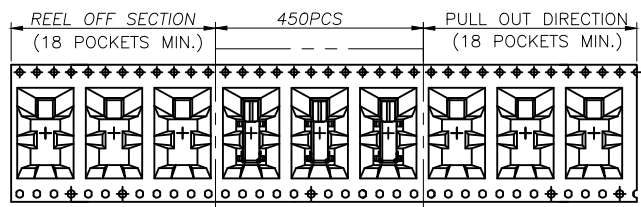
TITLE: USB TYPE C SMT TYPE UPRIGHT STRAIGHT TAB 24 PIN

DRAWN BY:	Zou Long	PART NO:	UC32-1E1H1A103-OHR-71	SHEET:	3 OF 4	REV:	A0		
CHECKED BY:	Bob	DWG NO:	D-UC32-1E1H1A103-OHR-71	SIZE:	A4	UNIT:	mm	FCN:	F9
APPROVED BY:	QPF	PROJECTION:		http://www.vitalconn.com					

For technical support, please send an email to support@vitalconn.com



REV:	ECN. NO.	NAME	DATE
A0	----	---	04-03-2026



	REEL	CARTON
CONNECTOR (PCS)	450	2700

TOLERANCE	
X.X	±0.30 X.° ±10°
.XX	±0.20 .X.° ±8°
.XXX	±0.10 .XX° ±5°



FOR YOUR VITAL CONNECTION

TITLE:	USB TYPE C SMT TYPE UPRIGHT STRAIGHT TAB 24 PIN								
DRAWN BY:	Zou Long	PART NO:	UC32-1E1H1A103-OHR-71	SHEET:	4 OF 4	REV:	A0		
CHECKED BY:	Bob	DWG NO:	D-UC32-1E1H1A103-OHR-71	SIZE:	A4	UNIT:	mm	FCN:	F9
APPROVED BY:	QPF	PROJECTION:		http://www.vitalconn.com					

For technical support, please send an email to support@vitalconn.com