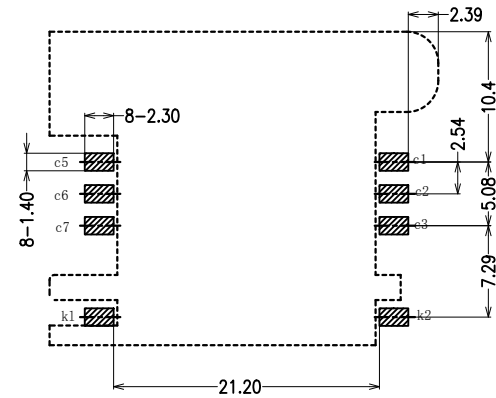
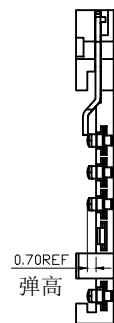
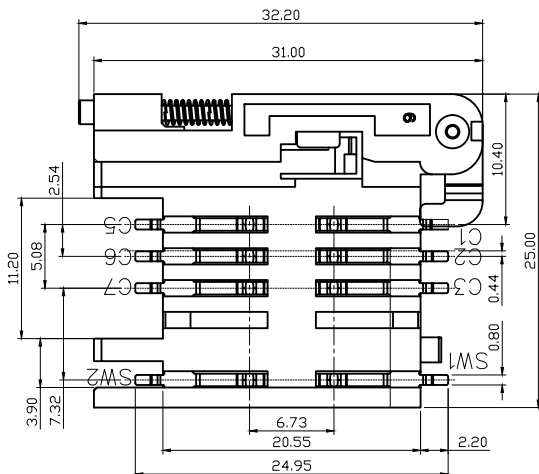
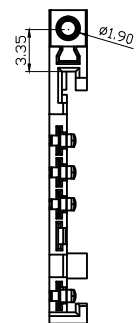
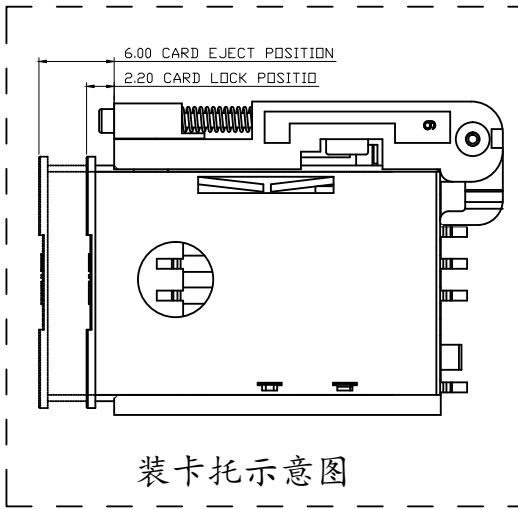
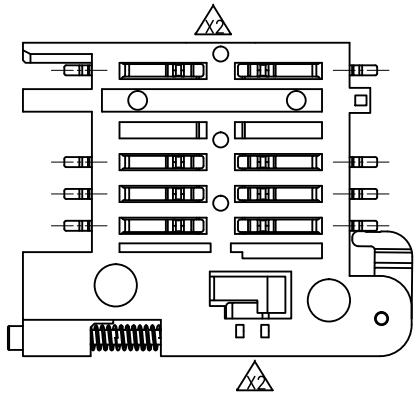
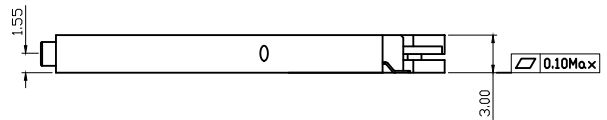




REV:	ECN. NO.	NAME	DATE
A0	----	-----	04-07-2026



PCB AREA
RECOMMENDED PCB LAYOUT
GENERAL TOLERANCE ±0.05



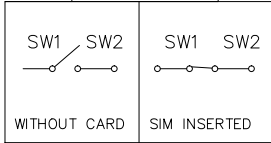
Specification

MATERIAL:
Insulator: High Temperature Thermoplastic,
(塑胶: 黑色LCP, 防火等级UL 94V-0)
帽子: PA9T UL 94V-0 Yellow
Contact: Copper Alloy(铜) T=0.15mm

PLATING:
Contact: Plated 50u'' Ni Overall Contact Au G/F, pad TIN
(端子: 镀底50u,接触点G/F,焊点锡50u最少)

Electrical:
Current Rating :2Amps,max(额定电流:2A最大)
Voltage Rating :5V AC/DC(额定电压:5V AC/DC)
Ambient Temperature Range : -40° C~+85° C(工作温度: -40度到+85度)
Storage Temperature Range : -40° C~+85° C(工作环境: -40度到+85度)
Ambient Humidity Range :95% R.H. Max. (上锡效果: 95%以上)
Contact Resistance:100mΩmax. (端子接触电阻: 100m 最大)
Insulation Resistance:1000MΩmin./500VDC(绝缘阻抗: 1000兆欧最小)
产品耐温度: 260度
Mating Cycles:5000Min Insertions (寿命: 5000次)

PIN NO.	PIN NAME
	Supply Voltage Vcc
C2	Reset (RST)
C3	Clock (CLK)
C4	N/A
C5	Ground
C6	Programming Voltage Vpp
C7	I/O
C8	N/A



DIMENSIONS INIT:	mm
UNLESS OTHERWISE SPECIFIABLE	
DIMENSION	TOLERANCE
X. X:	±0.35
X. XX:	±0.25
X. XXX:	±0.10
ANGULAR:	± 2°



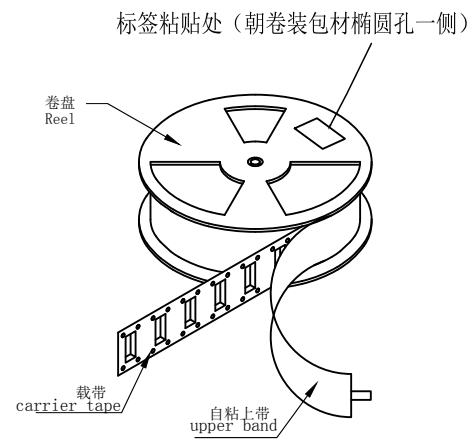
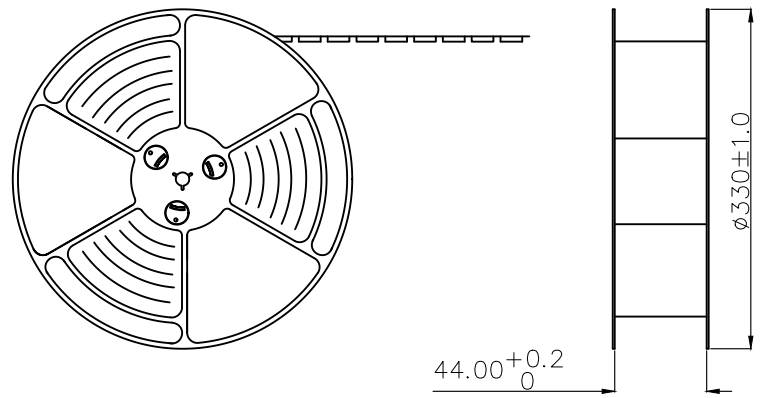
FOR YOUR
VITAL CONNECTION

TITLE:	SIM 卡抽屉式无柱卡座								
DRAWN BY:	Zou Long	PART NO:	CL001201601E7	SHEET:	1 OF 3	REV:	A0		
CHECKED BY:	Bob	DWG NO:	D-CL001201601E7	SIZE:	A4	UNIT:	mm	FCN:	E7
APPROVED BY:	QPF	PROJECTION:		http://www.vitalconn.com					

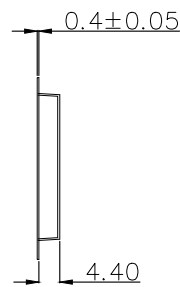
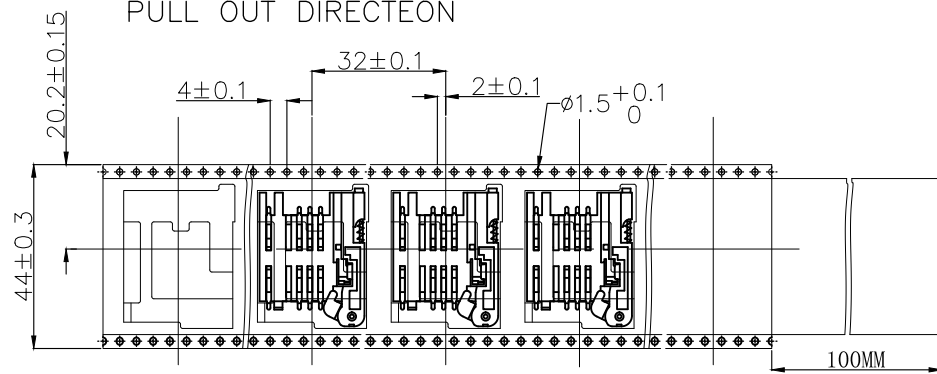
For technical support, please send an email to support@vitalconn.com



REV:	ECN. NO.	NAME	DATE
A0	-----	-----	04-07-2026



出料方向
PULL OUT DIRECTEON



DIMENSIONS IN: mm
UNLESS OTHERWISE SPECIFIABLE
DIMENSION TOLERANCE
X.X: ± 0.35
X.XX: ± 0.25
X.XXX: ± 0.10
ANGULAR: $\pm 2^\circ$



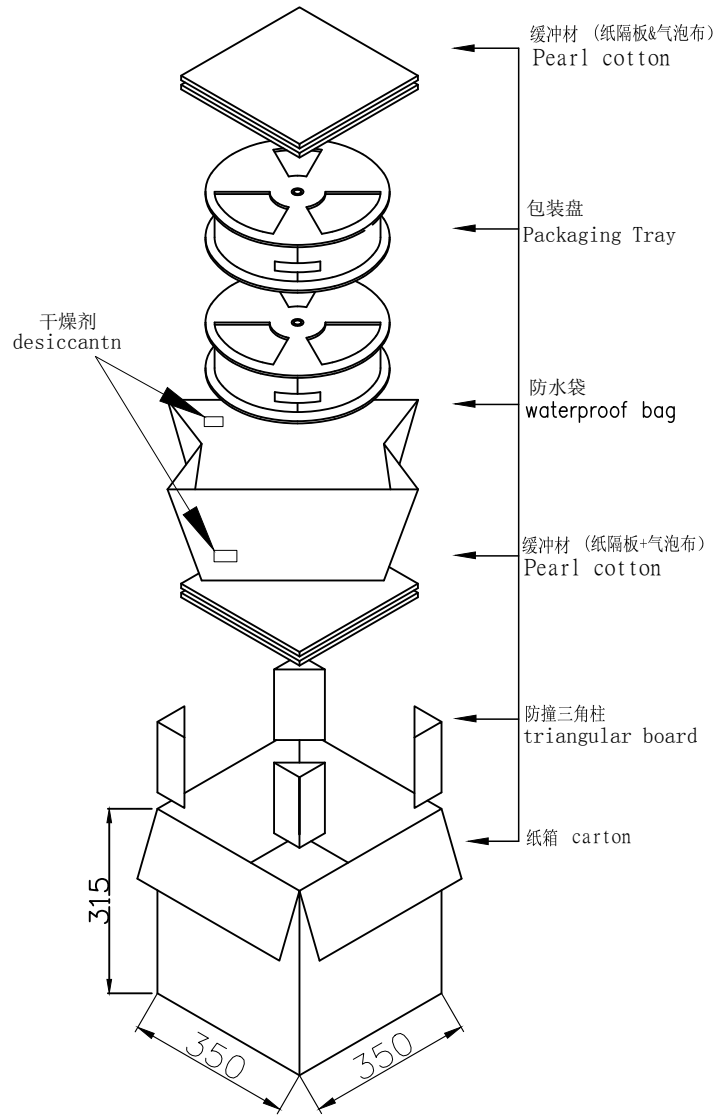
FOR YOUR
VITAL CONNECTION

TITLE:	SIM 卡抽屉式无柱卡座		
DRAWN BY:	Zou Long	PART NO:	CL001201601E7
CHECKED BY:	Bob	DWG NO:	D-CL001201601E7
APPROVED BY:	QPF	SHEET:	2 OF 3
PROJECTION:		UNIT:mm	FCN: E7
		http://www.vitalconn.com	
REV:	A0	REV:	A0

For technical support, please send an email to support@vitalconn.com



REV:	ECN. NO.	NAME	DATE
A0	-----	-----	04-07-2026



10	干燥剂 (desiccantn)	2PCS
9	三角纸板 (triangular board)	4PCS
8	纸隔板+气泡布	2PCS
7	纸箱 (carton)	1PCS
6	保护带 (bracer)	6PCS
5	自粘上带 (Cover tape)	16.5M*4
4	卷盘 (reel)	6PCS
3	PE防水袋 (waterproof bag)	1PCS
2	载带 (carrier tape)	16.4M*4
1	Sim Card抽屉式	2400PCS

- 备注:
1. 每卷载带前后各留10PCS空格.
 2. 每卷载带包装400PCS 产品.
 3. 以自粘上带覆盖经包装机冷封包装.
 4. 以保护带覆盖于外圈再以胶带固定并粘贴卷盘标签 (标签位置可依客户要求)
 5. 将6卷包装好的产品放入PE防水袋, 防水袋的上下各放置1PCS纸隔板+气泡布, 以胶带固定PE防水袋.
 6. 将包装好的6卷产品放入纸箱, 外箱用胶带呈“工”字形封口.
 7. 外箱标签的贴法请参照客户资料.

DIMENSIONS IN: mm
UNLESS OTHERWISE SPECIFIABLE
DIMENSION TOLERANCE
X.X: ±0.35
X.XX: ±0.25
X.XXX: ±0.10
ANGULAR: ± 2°



FOR YOUR VITAL CONNECTION

TITLE: SIM 卡抽屉式无柱卡座

For technical support, please send an email to support@vitalconn.com

DRAWN BY:	Zou Long	PART NO:	CL001201601E7	SHEET:	3 OF 3	REV:	A0		
CHECKED BY:	Bob	DWG NO:	D-CL001201601E7	SIZE:	A4	UNIT:	mm	FCN:	E7
APPROVED BY:	QPF	PROJECTION:		http://www.vitalconn.com					