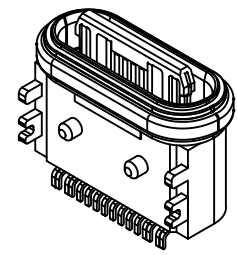
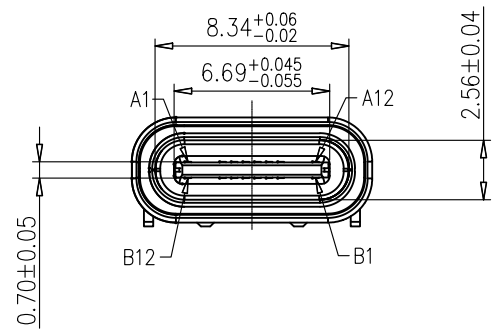
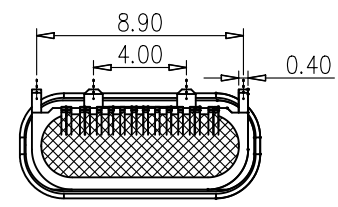
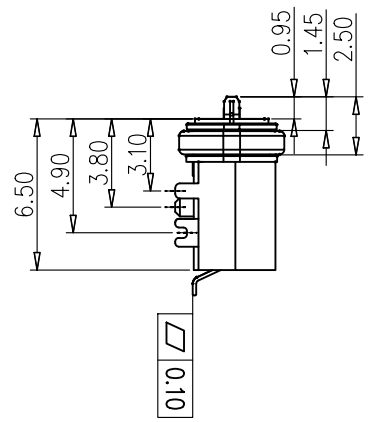
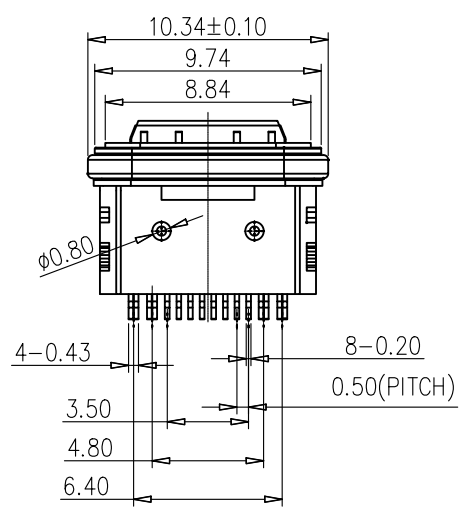
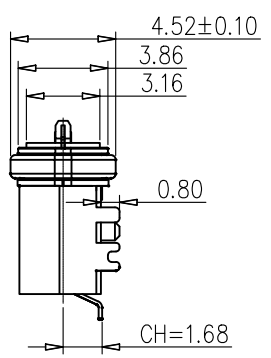




REV:	ECN. NO.	NAME	DATE
A0	----	-----	04-29-2026



- NOTES:
- MATERIAL:
 - HOUSING: PA10T UL94V-0; COLOR: BLACK
 - TERMINAL: C7025
 - SHELL: ZINC ALLOY
 - MID PLATE: SUS301
 - O RING: SILICON RUBBER
 - FINISH:
 - TERMINAL: 3U" Au PLATED ON CONTACT AREA; G/F PLATED ON SOLDER AREA; Ni 30u" MIN. UNDERPLATED OVERALL.
 - SHELL: Ni 30u" MIN. PLATED OVERALL
 - MID PLATE: CLEANING.
 - ELECTRICAL SPECIFICATION:
 - RATED CURRENT: VBUS AND GND PIN 3.0A; Other pin 0.25A
 - CONTACT RESISTANCE: 40mΩ MAX(INITIAL). 50mΩ MAX (AFTER).
 - INSULATION RESISTANCE: 100MΩ MIN.
 - DIELECTRIC WITHSTANDING VOLTAGE: 100V AC .
 - MACHINERY SPECIFICATION:
 - MATING FORCE: 5N~20N. UNMATING FORCE: 8N~20N. (AFTER TEST:6N~20N).
 - DURABILITY: 10000 CYCLES MIN.
 - ENVIRONMENTAL SPECIFICATION:
 - OPERATING CONDITION: TEMPERATURE-40°C~+85°C
 - WATER PROOFNESS: THIS PRODUCT IS BASED ON IPX7.



MILLIMETERS	INCH
X.° ±2°	X.° ±2°
.X ±0.30	.X ±0.012
.XX ±0.20	.XX ±0.008
.XXX ±0.10	.XXX ±0.004



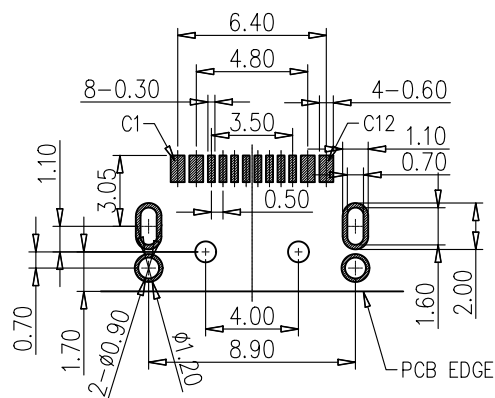
FOR YOUR VITAL CONNECTION

TITLE:	TYPE C 16Pin CH=1.68 舌片外露0.95mm 锌合金超薄款母座								
DRAWN BY:	Zou Long	PART NO:	UC3212602E1	SHEET:	1 OF 3	REV:	A0		
CHECKED BY:	Bob	DWG NO:	VTC-TZ-00149	SIZE:	A4	UNIT:	mm	FCN:	E1
APPROVED BY:	QPF	PROJECTION:		http://www.vitalconn.com					

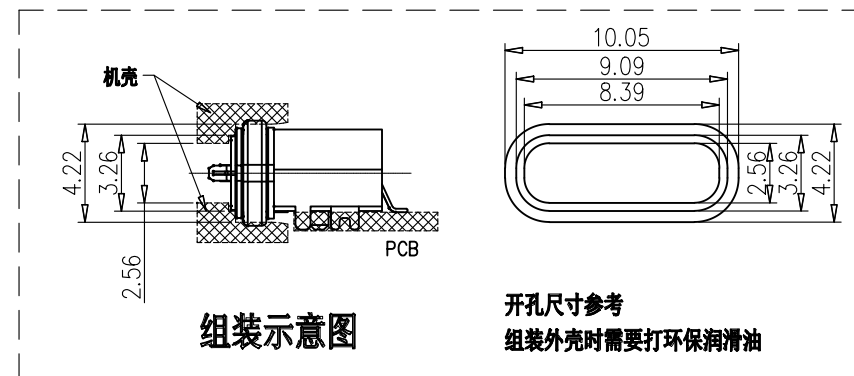
For technical support, please send an email to support@vitalconn.com



REV:	ECN. NO.	NAME	DATE
A0	----	-----	04-29-2026



RECOMMENDED PCB LAYOUT(TOP VIEW)
 THICKNESS T=0.8mm
 DEFAULT TOLERANCE+/-0.05



INTERFACE(FRONT VIEW)

A1	A2	A3	A4	A5	A6	A7	A8	A9	A10	A11	A12
GND			VBUS	CC1	DP1	DN1	SBU1	VBUS			GND
GND			VBUS	SBU2	DN2	DP2	CC2	VBUS			GND
B12	B11	B10	B9	B8	B7	B6	B5	B4	B3	B2	B1

PIN ASSIGNMENT

PIN NO.	A1&B12	A4&B9	B8	A5	B7	A6	A7	B6	A8	B5	A9&B4	A12&B1
SINGAL NAME	GND	VBUS	SBU2	CC1	DN2	DP1	DN1	DP2	SBU1	CC2	VBUS	GND
PCB PAD NO.	C1	C2	C3	C4	C5	C6	C7	C8	C9	C10	C11	C12

MILLIMETERS	INCH
X.° ±2°	X.° ±2°
.X ±0.30	.X ±0.012
.XX ±0.20	.XX ±0.008
.XXX ±0.10	.XXX ±0.004



FOR YOUR VITAL CONNECTION

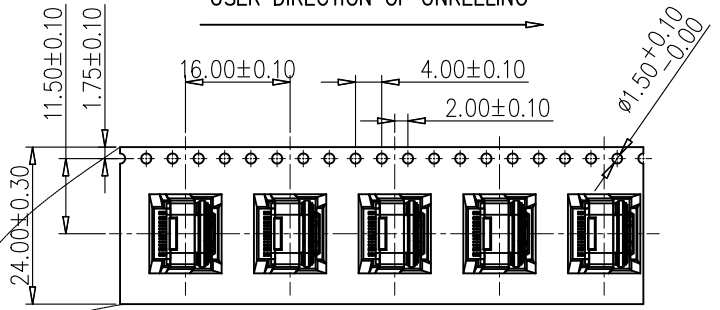
TITLE:	TYPE C 16Pin CH=1.68 舌片外露0.95mm 锌合金超薄款母座								
DRAWN BY:	Zou Long	PART NO:	UC3212602E1	SHEET:	2 OF 3	REV:	A0		
CHECKED BY:	Bob	DWG NO:	VTC-TZ-00149	SIZE:	A4	UNIT:	mm	FCN:	E1
APPROVED BY:	QPF	PROJECTION:		http://www.vitalconn.com					

For technical support, please send an email to support@vitalconn.com



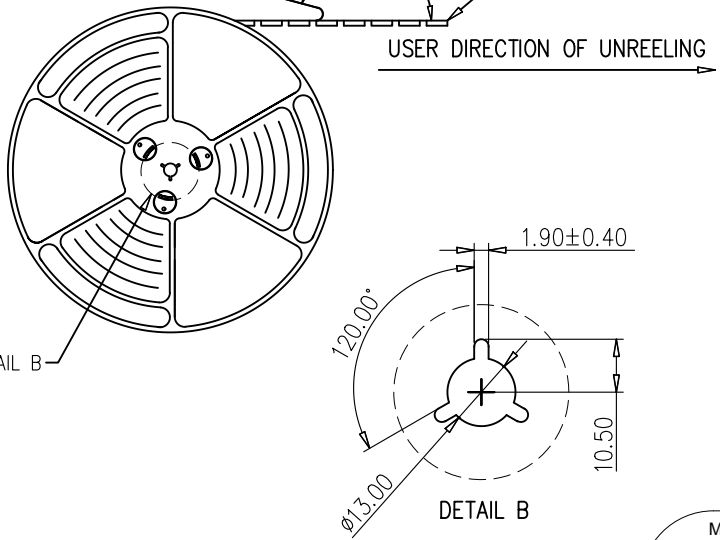
1	2	3	4	5	6	7	8
REV:	ECN. NO.	NAME		DATE			
A0	-----	-----		04-29-2026			

USER DIRECTION OF UNREELING



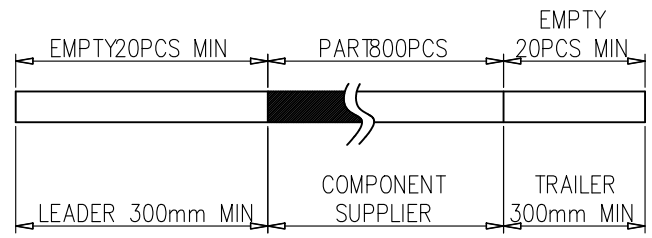
COVER TAPE PEELING ANGLE: 165°~180°
PEELING FORCE: 20~130g
CARRIER TAPE

USER DIRECTION OF UNREELING

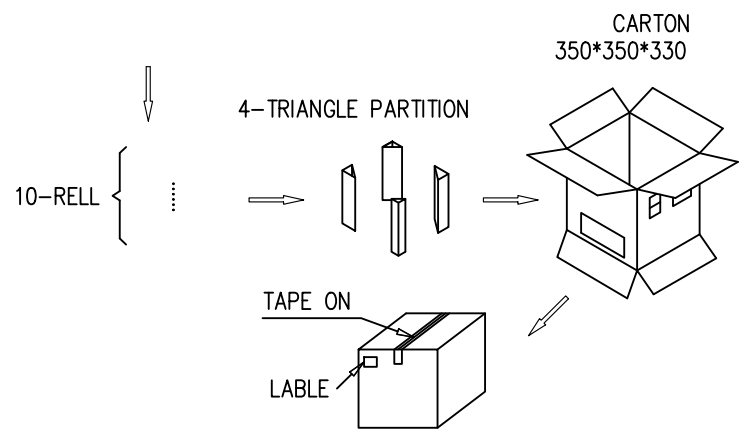


NOTES

1. NUMBER OF CONNECTORS: 800PCS/REEL
2. LEAD TAPE LENGTH



3. QUANTITY: 8000PCS/CARTON



MILLIMETERS		INCH		VITALCON a vital connector company		FOR YOUR VITAL CONNECTION	
X.° ±2°	X.° ±2°	X.° ±2°	X.° ±2°				
.X ±0.30	.X ±0.12	.XX ±0.20	.XX ±0.08	TITLE: TYPE C 16Pin CH=1.68 舌片外露0.95mm 锌合金超薄款母座			
.XXX ±0.10	.XXX ±0.04	DRAWN BY: Zou Long		PART NO: UC3212602E1	SHEET: 3 OF 3	REV: A0	
CHECKED BY: Bob		DWG NO: VTC-TZ-00149		SIZE: A4	UNIT: mm	FCN: E1	
APPROVED BY: QPF		PROJECTION:		http://www.vitalconn.com			

For technical support, please send an email to support@vitalconn.com