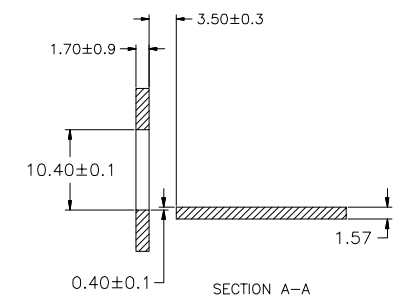
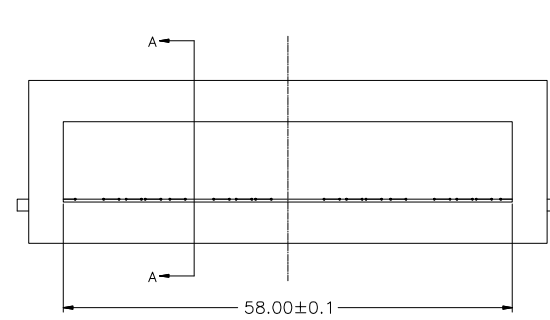
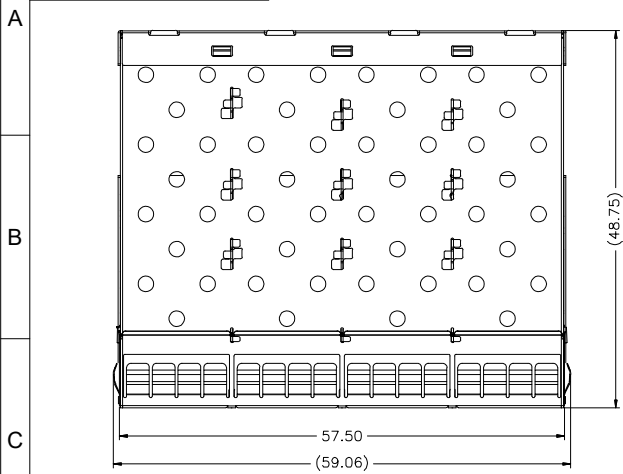
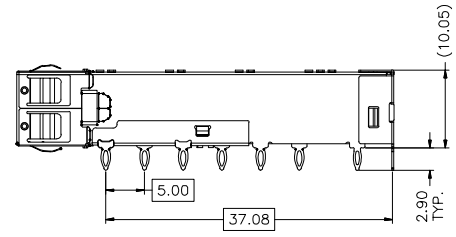
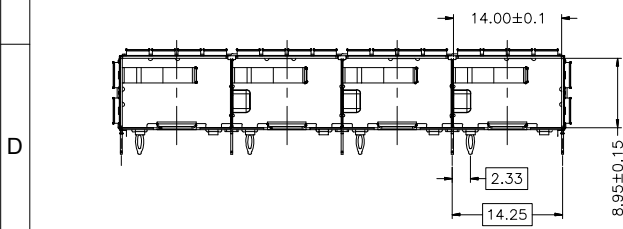




REV:	ECN. NO.	NAME	DATE

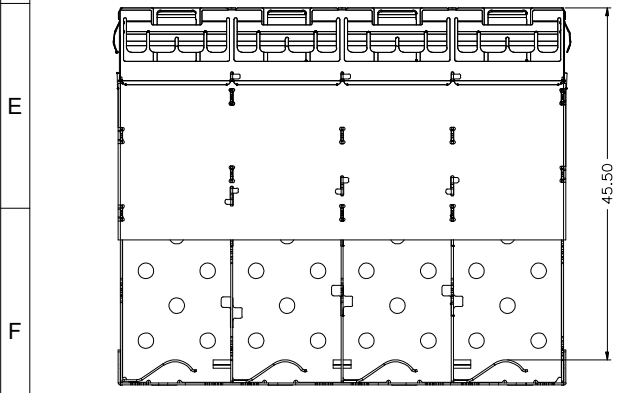


RECOMMENDED BEZEL DESIGN


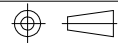


NOTES:

- 1.MATERIAL: NICKEL SILVER, THICKNESS 0.25mm
- 2.PACKAGING: TRAY PACKAGING
- 3.TEMPERATURE RANGE: -55°C TO +85°C

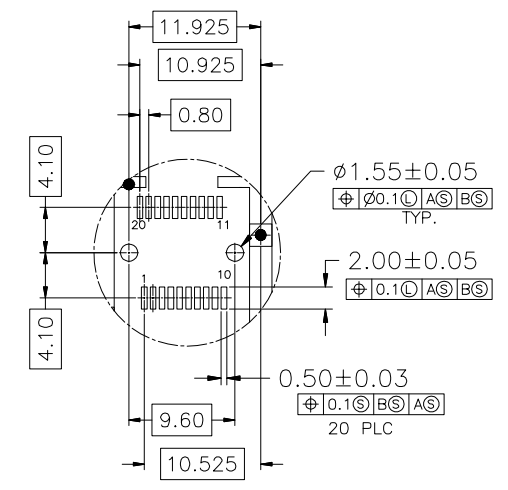
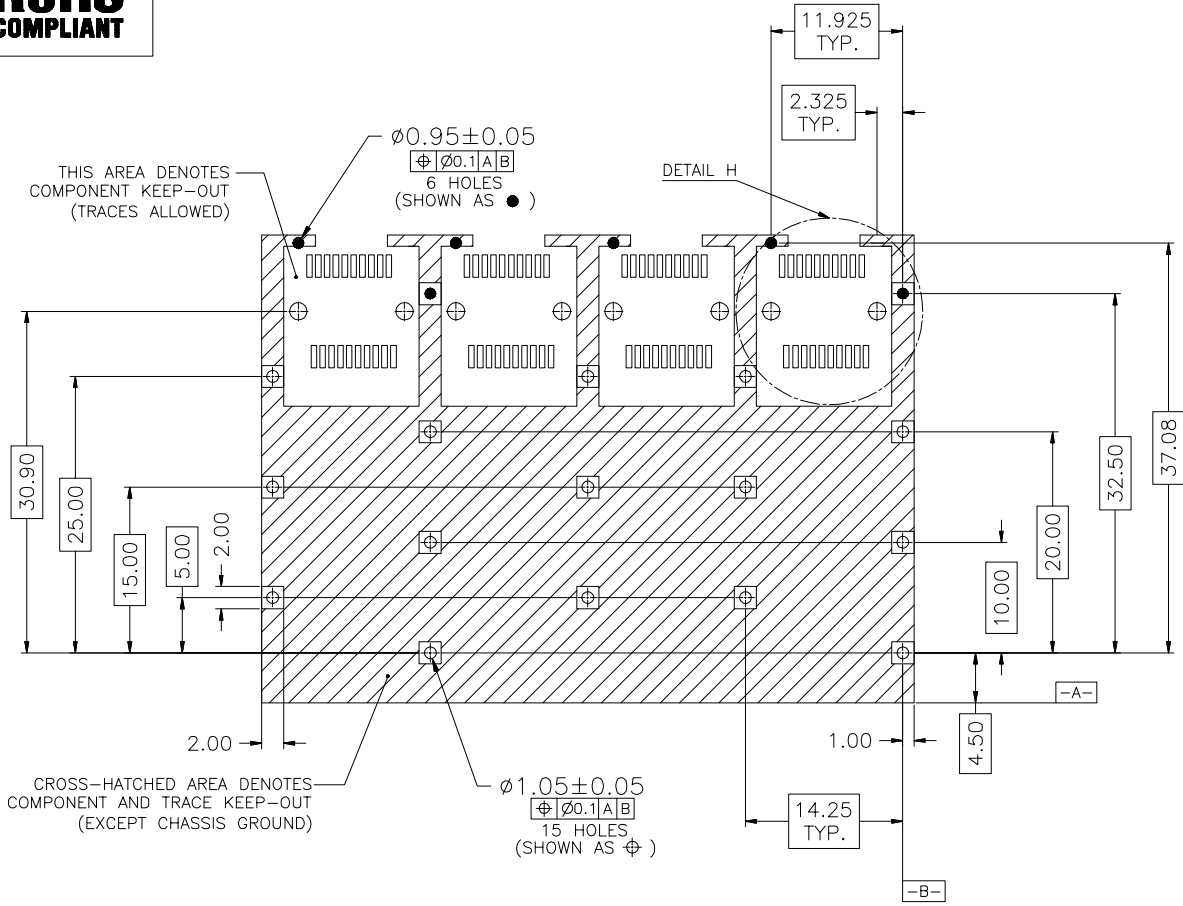


For technical support, please send an email to support@vitalconn.com

TOLERANCE UNSPECIFIED				FOR YOUR VITAL CONNECTION	
.0	±0.38			TITLE: SFP+1*4 CAGE	
.00	±0.25	DRAWN BY: QSY		PART NO: S2N3400100NA4	
.000	±0.10	CHECKED BY: VIT		UNIT:mm	
ANGLE	±2.00°	APPROVED BY: QPF		SHEET: 1 OF 3	
MANUFACTURING COPY		PROJECTION		FCN: A4	
					
				http://www.vitalconn.com	



REV:	ECN. NO.	NAME	DATE



DETAIL H

TOLERANCE UNSPECIFIED	
.0	±0.38
.00	±0.25
.000	±0.10
ANGLE	±2.00°
MANUFACTURING COPY	



FOR YOUR VITAL CONNECTION

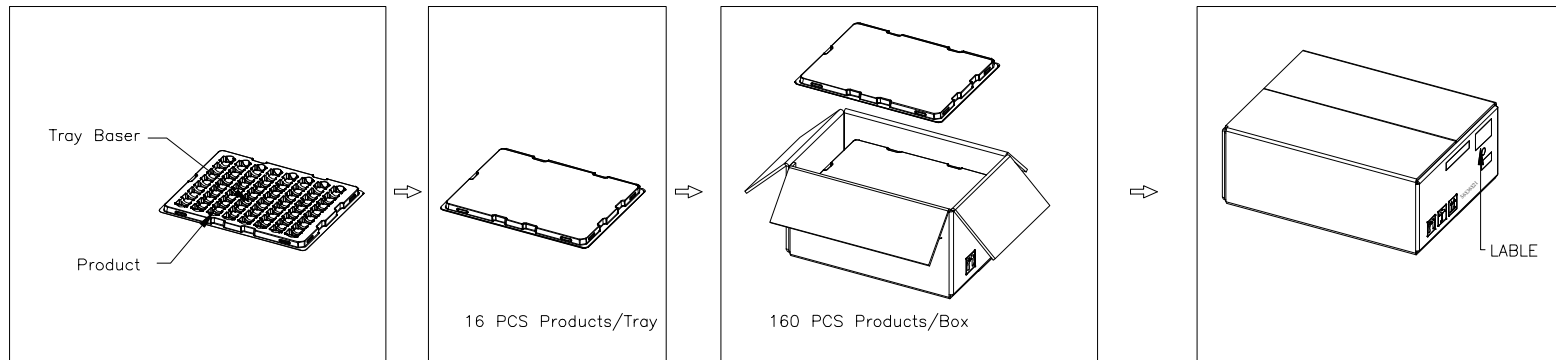
TITLE:	SFP+1*4 CAGE		
DRAWN BY:	QSY	PART NO:	S2N3400100NA4
CHECKED BY:	VIT	SIZE: A4	UNIT:mm
APPROVED BY:	QPF	PROJECTION	http://www.vitalconn.com

For technical support, please send an email to support@vitalconn.com



7	8
REV:	ECN. NO.
NAME	DATE

PACKAGE INFORMATION AND LABEL



PACKING QUANTITY : 16 PCS FINISHED GOODS PER TRAY

10 TRAYS (160 PCS FINISHED GOODS) PER CARTON BOX

TOLERANCE UNSPECIFIED				FOR YOUR VITAL CONNECTION	
.0	±0.38			TITLE: SFP+1*4 CAGE	
.00	±0.25	DRAWN BY: QSY	PART NO: S2N3400100NA4	REV: A	
.000	±0.10	CHECKED BY: VIT	SIZE: A4	UNIT:mm	SHEET: 3 OF 3 FCN: A4
ANGLE	±2.00°	APPROVED BY: QPF	PROJECTION		http://www.vitalconn.com
MANUFACTURING COPY					

For technical support, please send an email to support@vitalconn.com