



REV:	ECN. NO.	NAME	DATE

NOTES:

- ELECTRONIC:
 - CONTACT RESISTANCE: 20mohm MAX
 - INSULATION RESISTANCE: 1000 Mohm MIN
 - WITHSTAND VOLTAGE: AC 500V, 1min.
- MECHANICAL:
 - DURABILITY: 10000 CYCLE.
- ENVIRONMENT CHARACTERISTICS:
 - OPERATING TEMPERATURE: -55° C TO +105° C
- RECOMMENDER PCB THICKNESS 1.2 TO 1.6MM

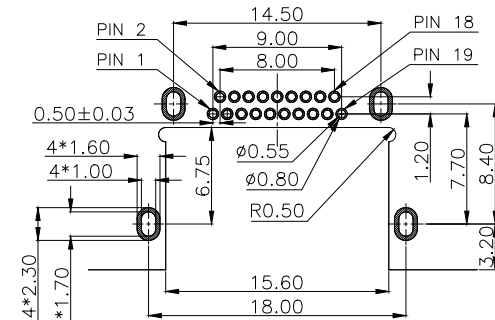
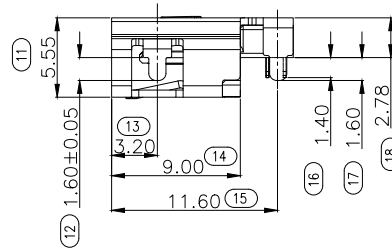
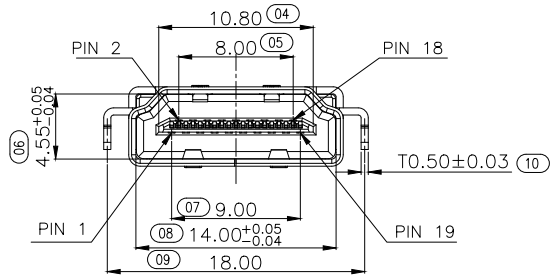
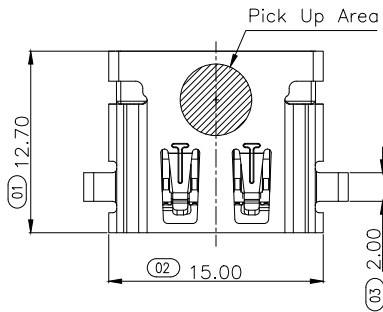
PART No.:
 HM A 2 01 007 2 E1

HDMI
 HDMI Type A
 Female
 PLATING:
 01:G/F+MATTE TIN

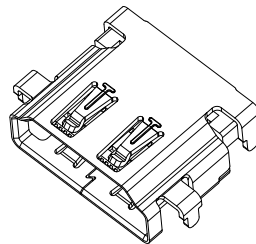
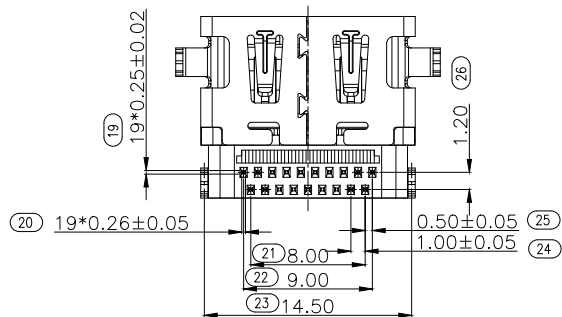
Running Code
 PAKING:
 1: TRAY
 2: REEL
 SERIAL NO.

5.MATERIAL LIST:

No.	PART NAME	QTY	MATERIAL	REMARK
3	SHELL	1	SUS 201 T=0.50	NI PLATED
2	CONTACT	19	COPPER ALLOY T=0.20	AU/TIN PLATED
1	HOUSING	1	THERMOPLASTIC	(UL 94V-0) BLACK



RECOMMENDED PCB LAYOUT T=1.60
 GENERAL TOLERANCES: ±0.05



MILLIMETERS	INCH
X°±2°	X°±2°
.X±0.38	.XX±0.015
.XX±0.25	.XXX±0.010
.XXX±0.15	.XXXX±0.006



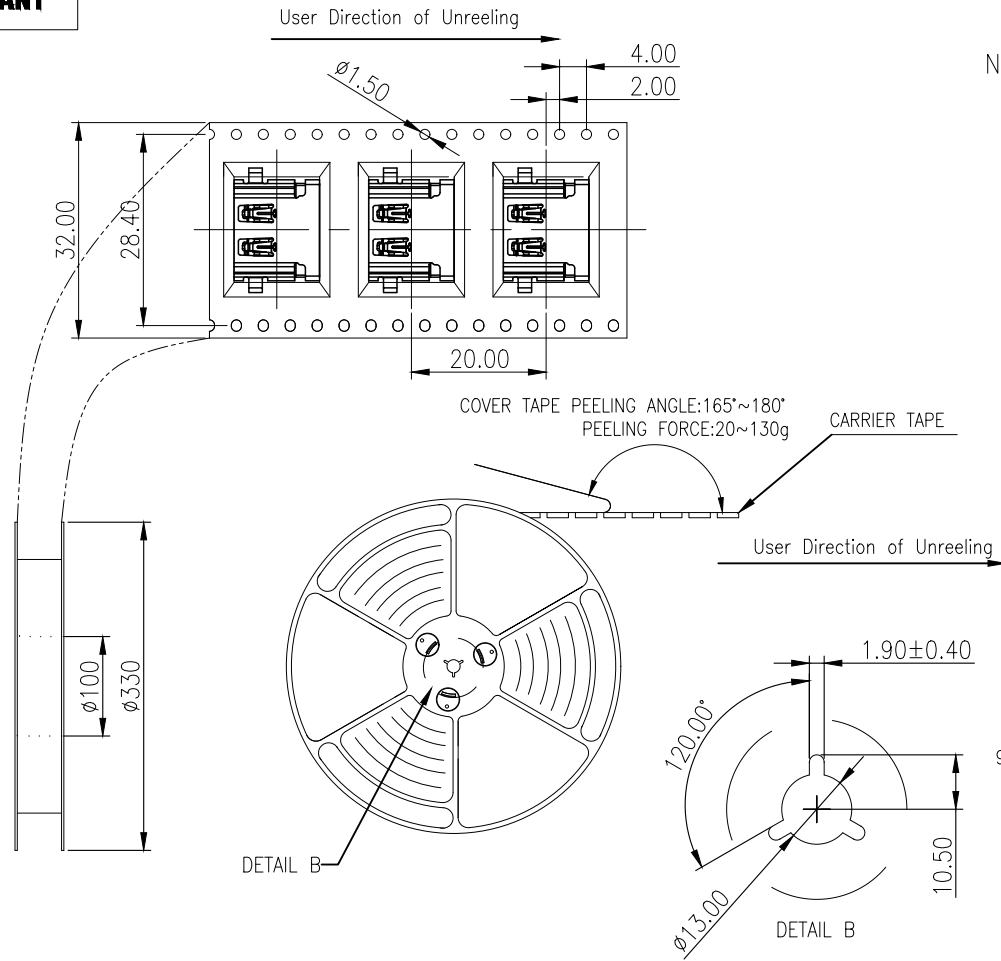
FOR YOUR
 VITAL CONNECTION

TITLE:	HDMI 19F 反向沉板2.78 DIP TYPE		
DRAWN BY:	Zou Long	PART NO:	HMA2010072E1
CHECKED BY:	Bob	SIZE: A1	UNIT:mm
APPROVED BY:	QPF	PROJECTION	SHEET:1 OF 2
			FCN: E1
			http://www.vitalconn.com

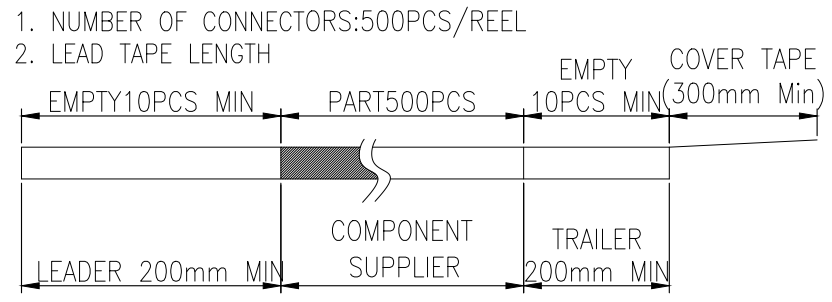
For technical support, please send an email to support@vitalconn.com



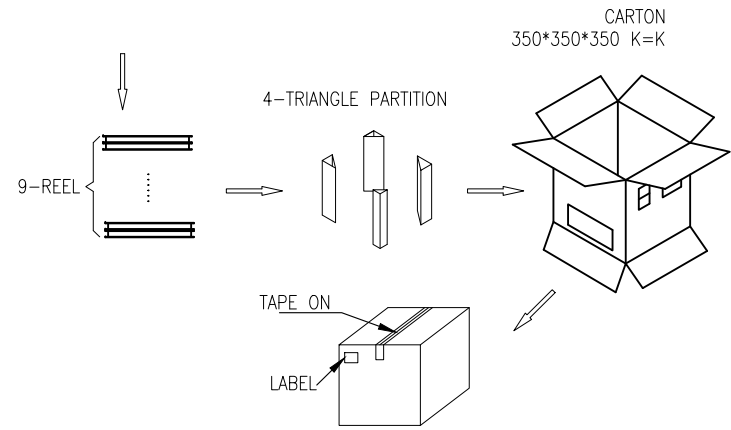
7		8	
REV:	ECN. NO.	NAME	DATE



NOTES



3. QUANTITY: 4500PCS/CARTON



MILLIMETERS	INCH
X°±2°	X°±2°
.X±0.38	.XX±0.015
.XX±0.25	.XXX±0.010
.XXX±0.15	.XXXX±0.006



FOR YOUR VITAL CONNECTION

DRAWN BY:	Zou Long	PART NO:	HMA2010072E1	REV: A0
CHECKED BY:	Bob	SIZE: A1	UNIT:mm	SHEET:2 OF 2
APPROVED BY:	QPF	PROJECTION	http://www.vitalconn.com	

For technical support, please send an email to support@vitalconn.com