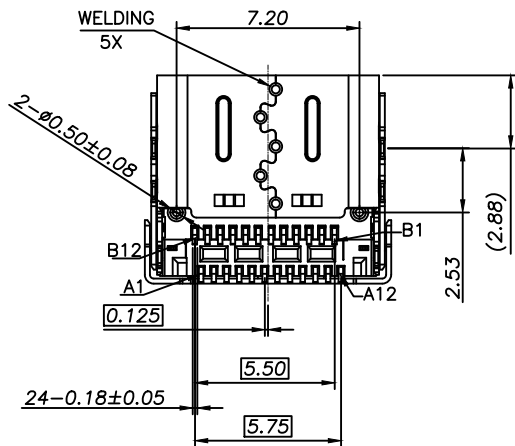
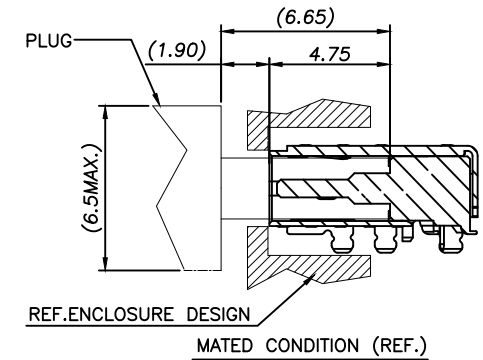
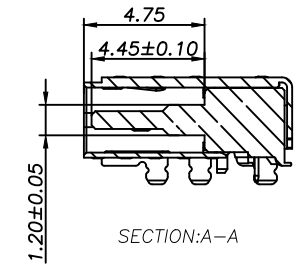
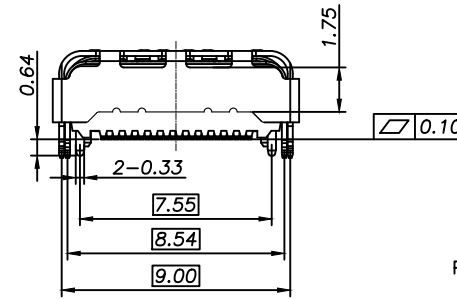
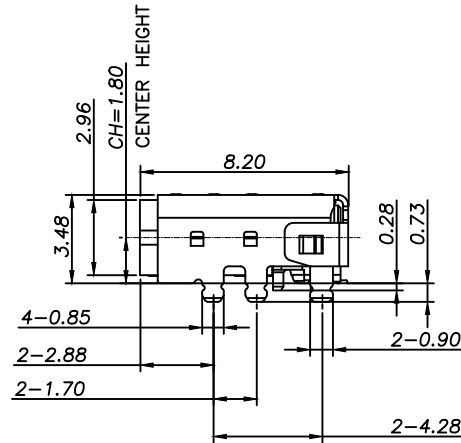
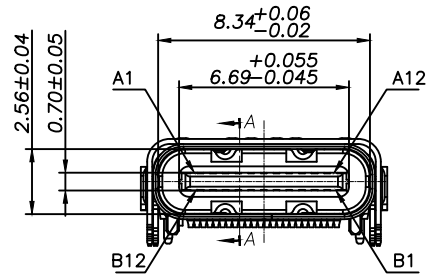
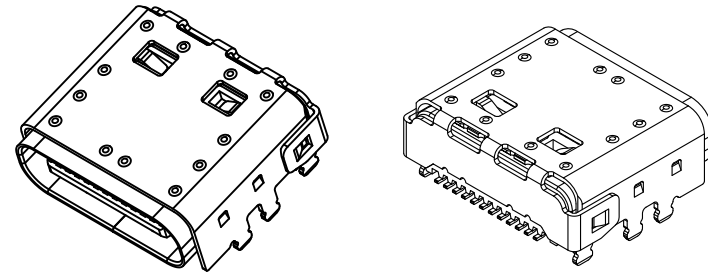
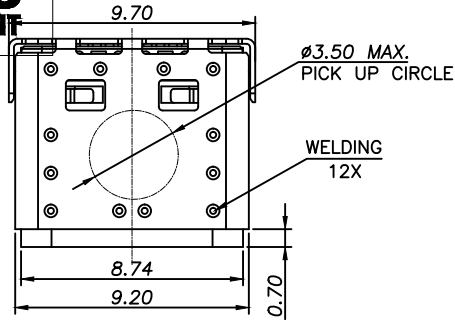




REV:	ECN. NO.	NAME	DATE
A0	----	---	04-03-2026



TOLERANCE

X.X	±0.30	X.°	±10°
.XX	±0.20	.X°	±8°
.XXX	±0.10	.XX°	±5°



FOR YOUR VITAL CONNECTION

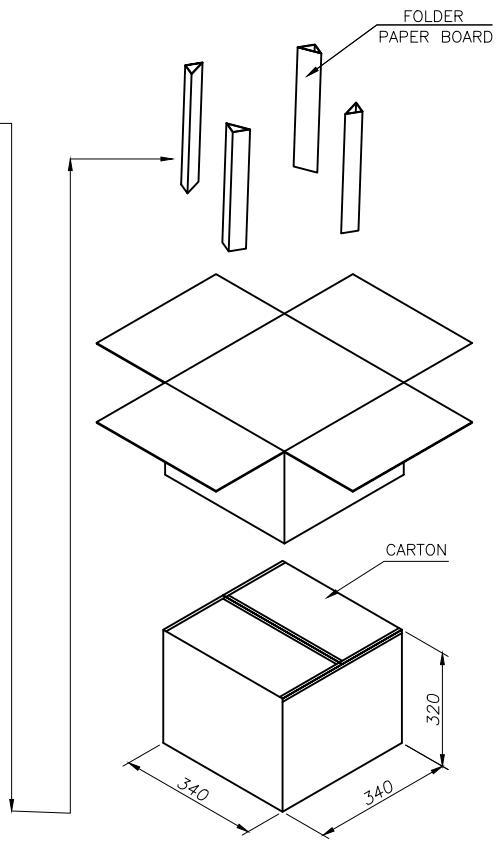
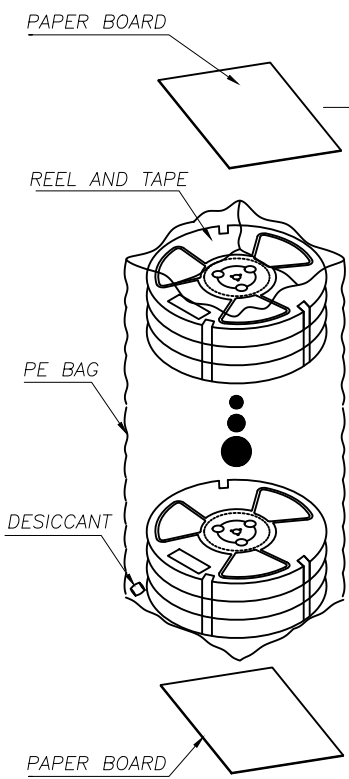
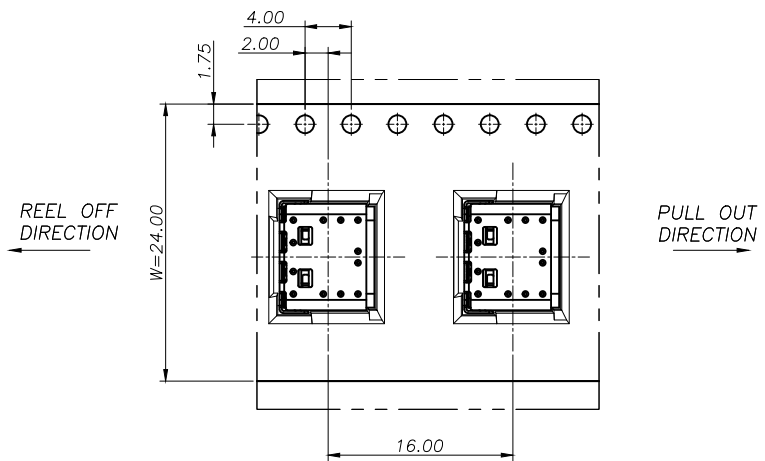
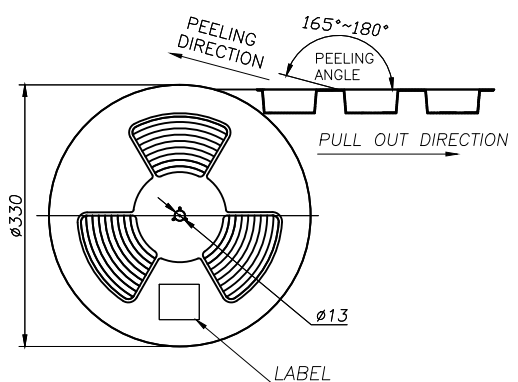
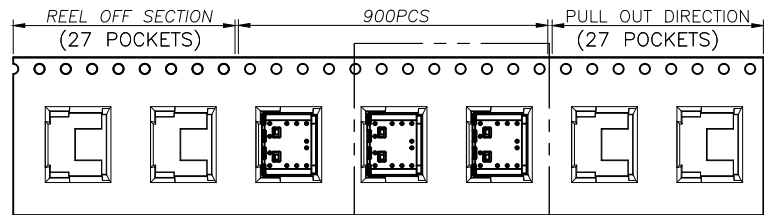
TITLE: USB CF 24P SMT TYPE TOP-MOUNT CH=1.8mm

DRAWN BY:	Zou Long	PART NO:	UC-101620-22103-F9	SHEET:	1 OF 3	REV:	A0
CHECKED BY:	Bob	DWG NO:	D-UC-101620-22103-F9	SIZE:	A4	UNIT:	mm
APPROVED BY:	QPF	PROJECTION:		http://www.vitalconn.com			

For technical support, please send an email to support@vitalconn.com



REV:	ECN. NO.	NAME	DATE
A0	----	---	04-03-2026



	REEL	CARTON
CONNECTOR (PCS)	900	9000

TOLERANCE	
X.X ±0.30	X.° ±10°
.XX ±0.20	.X.° ±8°
.XXX ±0.10	.XX.° ±5°



FOR YOUR VITAL CONNECTION

TITLE:		USB CF 24P SMT TYPE TOP-MOUNT CH=1.8mm							
DRAWN BY:	Zou Long	PART NO:	UC-101620-22103-F9	SHEET:	3 OF 3	REV:	A0		
CHECKED BY:	Bob	DWG NO:	D-UC-101620-22103-F9	SIZE:	A4	UNIT:	mm	FCN:	F9
APPROVED BY:	QPF	PROJECTION:		http://www.vitalconn.com					

For technical support, please send an email to [support@vitalconn.com](mailto:support@vitalconn.com)