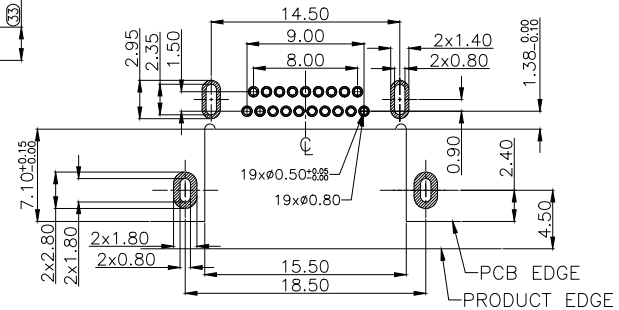
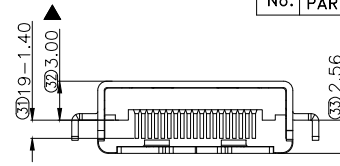
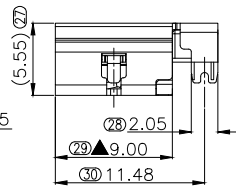
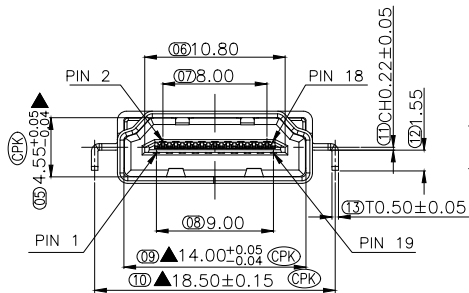
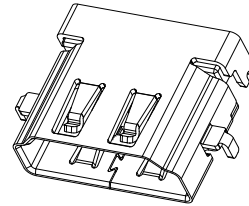
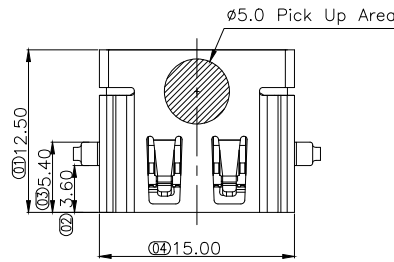




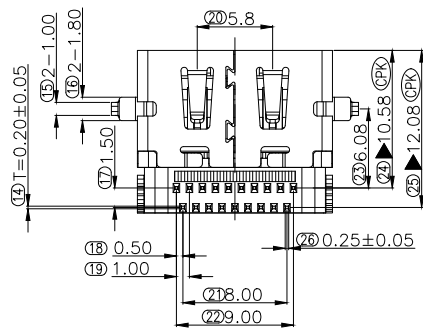
REV:	ECN. NO.	NAME	DATE

- NOTES:
- ELECTRONIC:
CONTACT RESISTANCE: 20mohm MAX
INSULATION RESISTANCE: 1000 Mohm MIN
WITHSTAND VOLTAGE: AC 500V, 1min.
 - MECHANICAL:
DURABILITY: 10000 CYCLE.
 - ENVIRONMENT CHARACTERISTICS:
OPERATING TEMPERATURE: -55°C TO +105°C
 - RECOMMENDER PCB THICKNESS 1.2 TO 1.60MM
 - 标示"▲"符号的尺寸为重点检验尺寸。
 - MATERIAL LIST:

No.	PART NAME	QTY	MATERIAL	REMARK
3	SHELL	1	Stainless steel T=0.50	NI PLATED
2	CONTACT	19	COPPER ALLOY T=0.20	AU/TIN PLATED
1	HOUSING	1	THERMOPLASTIC	(UL 94V-0) BLACK



RECOMMENDED PCB LAYOUT T=1.20
GENERAL TOLERANCES: ±0.05



PART No.:
HM A 2 01 043 2 E1

HDMI
HDMI Type A
Female
PLATING:
01:G/F+MATTE TIN

Running Code
PAKING:
1: TRAY
2: REEL
SERIAL NO.

MILLIMETERS	INCH
X°±2°	X°±2°
.X±0.30	.XX±0.012
.XX±0.20	.XXX±0.008
.XXX±0.10	.XXXX±0.004



FOR YOUR VITAL CONNECTION

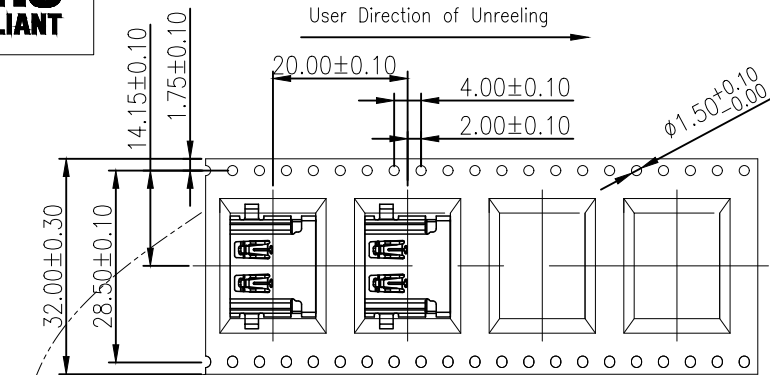
TITLE: HDMI 19PIN 母座反向沉板 CL0.22 DIP脚

DRAWN BY:	Zou Long	PART NO:	HMA2010432E1	REV: A0
CHECKED BY:	Bob	SIZE: A1	UNIT:mm	SHEET:1 OF 2
APPROVED BY:	QPF	PROJECTION	http://www.vitalconn.com	

For technical support, please send an email to support@vitalconn.com



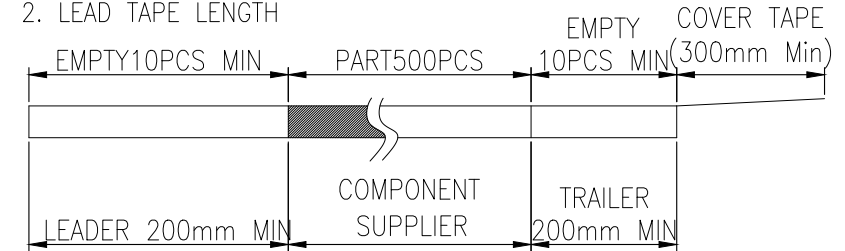
7		8	
REV:	ECN. NO.	NAME	DATE



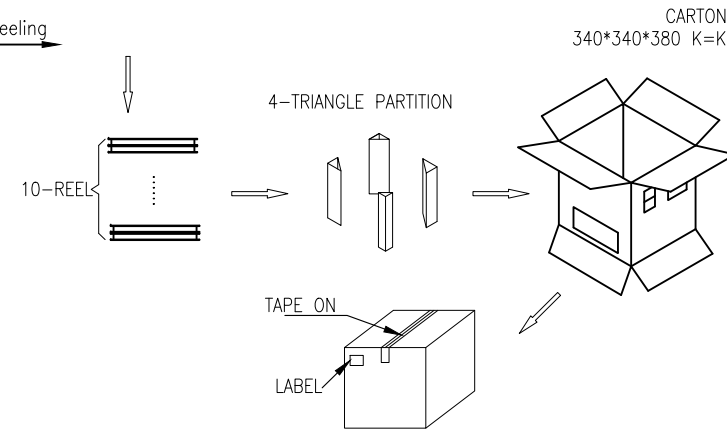
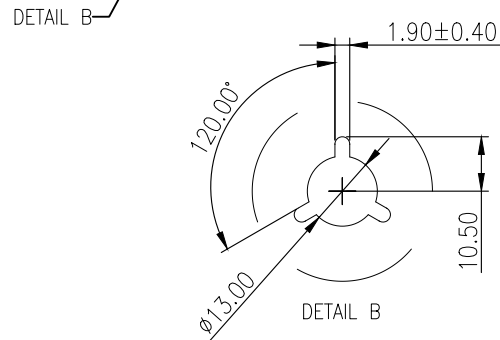
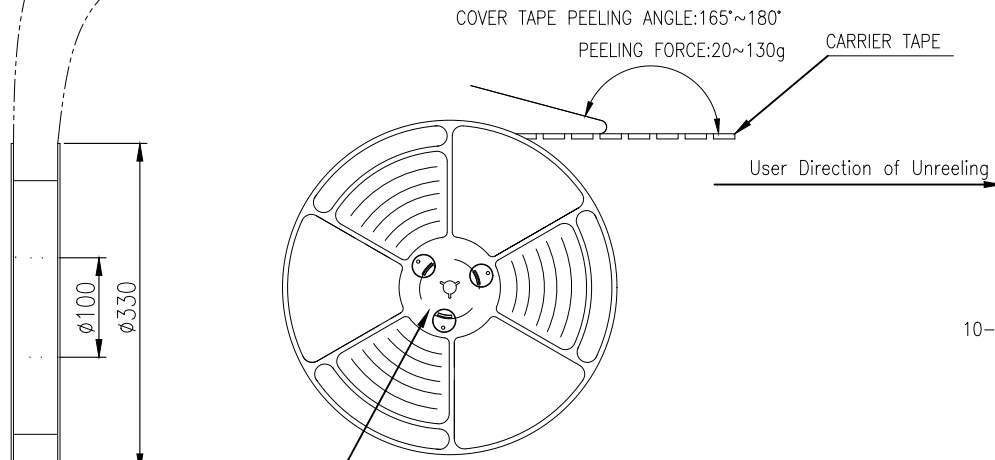
NOTES

1. NUMBER OF CONNECTORS:500PCS/REEL

2. LEAD TAPE LENGTH



3. QUANTITY:5000PCS/CARTON



MILLIMETERS		INCH				FOR YOUR VITAL CONNECTION			
X°±2°	X°±2°	.XX±0.012	.XXX±0.008			TITLE:	HDMI 19PIN 母座反向沉板 CL0.22 DIP脚		
.X±0.30	.XX±0.012	.XXX±0.008	.XXXX±0.004	DRAWN BY:	Zou Long	PART NO:	HMA2010432E1	REV: A0	
.XX±0.20	.XXX±0.008	.XXXX±0.004		CHECKED BY:	Bob	SIZE: A1	UNIT:mm	SHEET:2 OF 2	FCN: E1
.XXX±0.10	.XXXX±0.004			APPROVED BY:	QPF	PROJECTION		http://www.vitalconn.com	

For technical support, please send an email to support@vitalconn.com