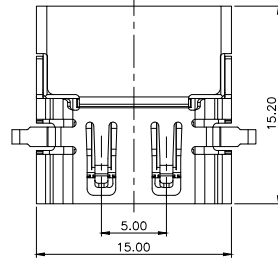
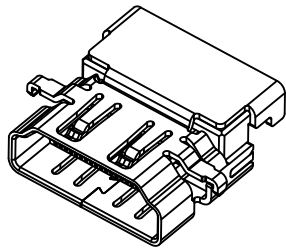


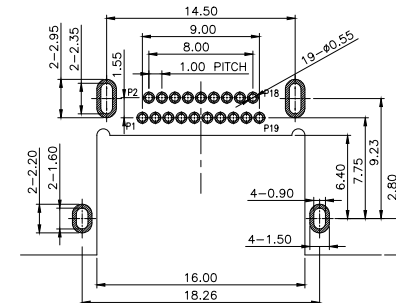
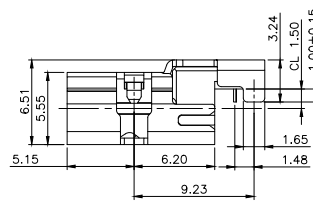
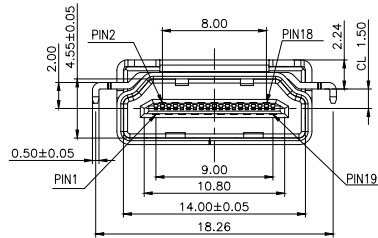
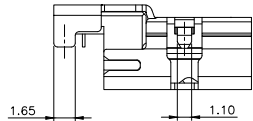


REV:	ECN. NO.	NAME	DATE



SPECIFICATIONS:

- ELECTRICAL CHARACTERISTICS
  - CURRENT RATING: 0.5 AMP
  - VOLTAGE RATING: 40 V
  - CONTACT RESISTANCE: 30MILLIOHMS MAX
  - INSULATION RESISTANCE: 100M MIN. @ 500V DC
  - DIELECTRIC WITHSTANDING VOLTAGE: 500V AC FOR 1 MINUTE
- MECHANICAL CHARACTERISTICS:
  - INSERTION FORCE : 4,5KGF MAX.
  - WITHDRAWING FORCE : 1KGF ~ 4KGF.
- LIFE TEST: 10000 CYCLES
- OPERATING TEMPERATURE: -25°C TO +85°C



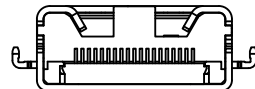
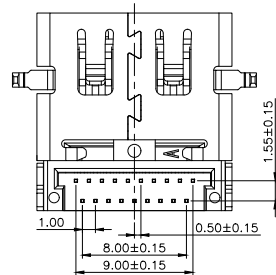
TOLERANCE: ±0.05, THICKNESS: 1.0mm  
 RECOMMENDED PCB LAYOUT  
 (TOP VIEW)  
 KEEP OUT AREA

PART No.:

HM A 2 01 034 2 E1

HDMI  
 HDMI Type A  
 Female  
 PLATING:  
 01:G/F+MATTE TIN

Running Code  
 PAKING:  
 1: TRAY  
 2: REEL  
 SERIAL NO.



C	SHELL	1	C2680 T=0.5MM, 50u"MIN.NICEL ALL OVER
B	TERMINAL	19	C2680R-H G/F PLATED ON CONTACT
A	HOUSING	1	LCP E130i UL94V-0 BLACK
NO	PART NAME	QTY	MATERIAL PLATING & COLOR

MILLIMETERS	INCH
X°±2°	X°±2°
.X±0.30	.XX±0.015
.XX±0.20	.XXX±0.010
.XXX±0.10	.XXXX±0.006



FOR YOUR  
 VITAL CONNECTION

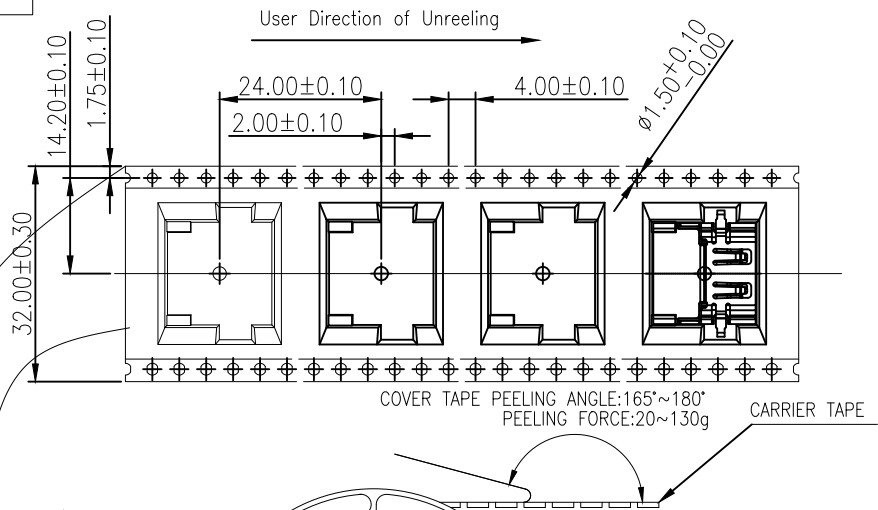
TITLE: HDMI AF 90度反沉CH1.5

DRAWN BY:	Zou Long	PART NO:	HMA2010342E1	REV: A0
CHECKED BY:	Bob	SIZE: A1	UNIT:mm	SHEET:1 OF 2
APPROVED BY:	QPF	PROJECTION		FCN: E1
For technical support, please send an email to support@vitalconn.com		http://www.vitalconn.com		

For technical support, please send an email to support@vitalconn.com

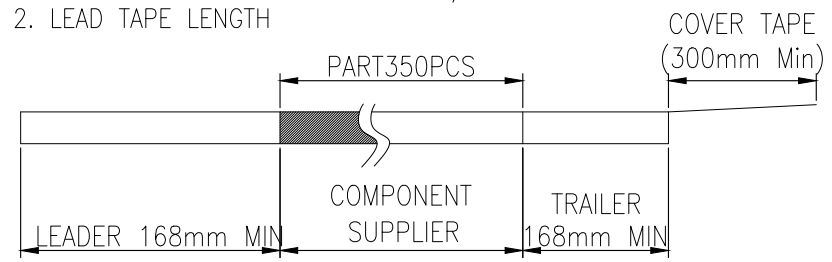


7		8	
REV:	ECN. NO.	NAME	DATE

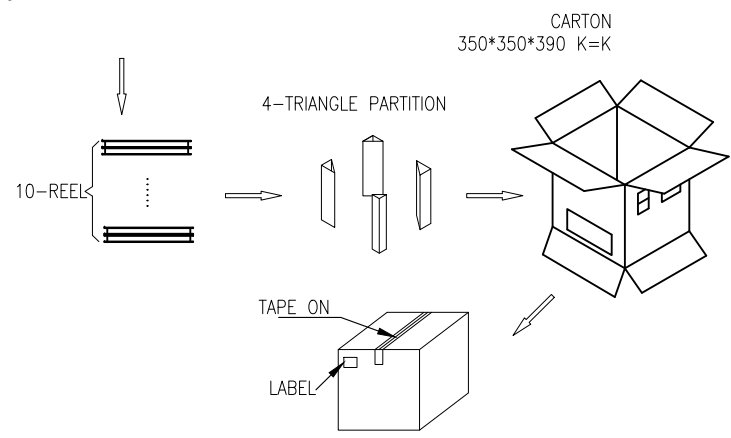
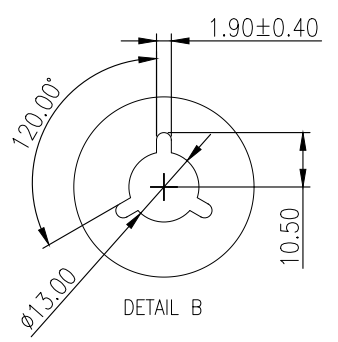
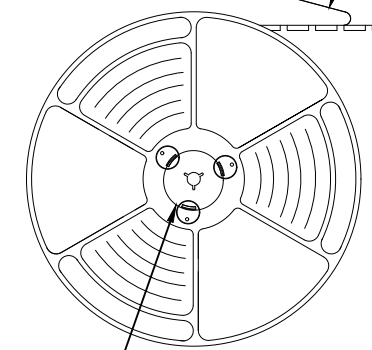
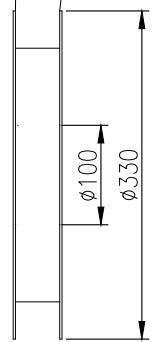


NOTES

1. NUMBER OF CONNECTORS: 350PCS/REEL
2. LEAD TAPE LENGTH



3. QUANTITY: 3500PCS/CARTON



MILLIMETERS	INCH
X°±2°	X°±2°
.X±0.30	.XX±0.015
.XX±0.20	.XXX±0.010
.XXX±0.10	.XXXX±0.006



FOR YOUR VITAL CONNECTION

DRAWN BY:	Zou Long	PART NO:	HMA2010342E1	REV: A0
CHECKED BY:	Bob	SIZE: A1	UNIT:mm	SHEET: 2 OF 2
APPROVED BY:	QPF	PROJECTION		FCN: E1
<a href="mailto:support@vitalconn.com">support@vitalconn.com</a>		<a href="http://www.vitalconn.com">http://www.vitalconn.com</a>		

For technical support, please send an email to [support@vitalconn.com](mailto:support@vitalconn.com)