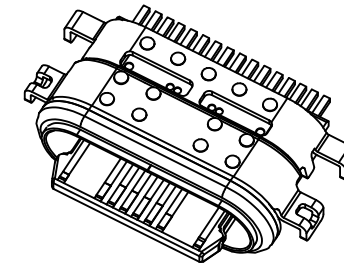
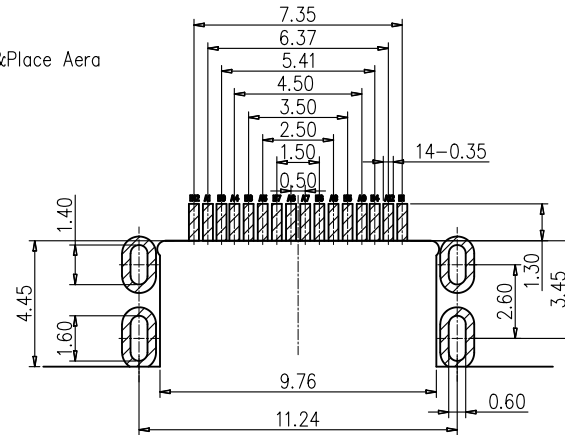
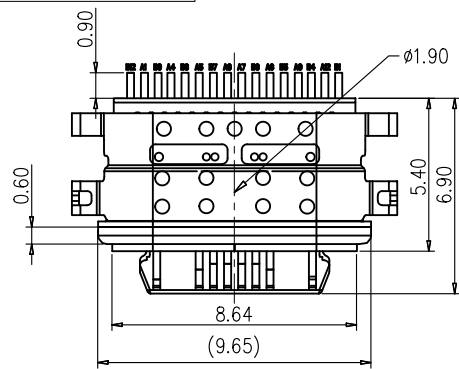
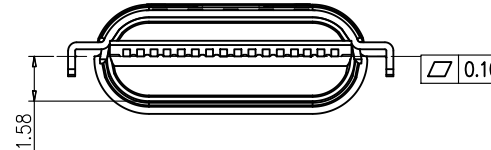
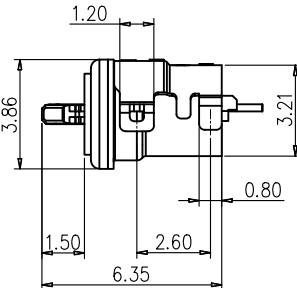
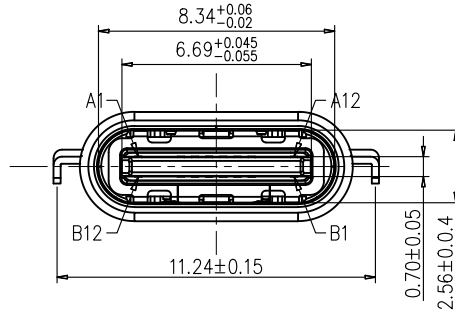




REV:	ECN. NO.	NAME	DATE
A0	----	-----	04-28-2026



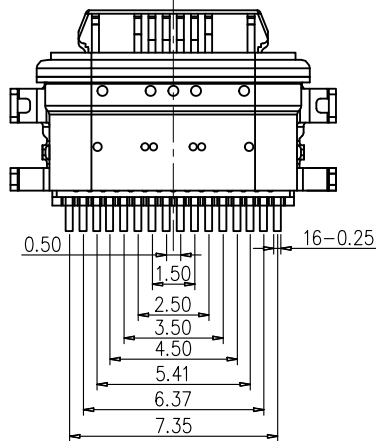
RECOMMENDED P.C.B. LAYOUT  
TOLERANCE UNSPECIFIED ±0.05mm



A1	GND	B12	GND
A4	VBUS	B9	VBUS
A5	CC1	B8	SBU2
A6	DP1	B7	DN2
A7	DN1	B6	DP2
A8	SBU1	B5	CC2
A9	VBUS	B4	VBUS
A12	GND	B1	GND
PIN	SIGNAL NAME	PIN	SIGNAL NAME

NOTES:

- MATERIAL:
  - HOUSING: PA9T; COLOR: BLACK
  - TERMINAL: C2680
  - INNER SHELL: SUS304
  - OUT SHELL: SUS304
  - MID PLATE: SUS301
  - EMC PLATE: SUS304
  - SEALING : SILICON DIOXIDE
- FINISH:
  - TERMINAL: G/F PLATED ON CONTACT AREA;  
G/F PLATED ON SOLDER AREA;  
NI 30u" MIN. UNDERPLATED OVERALL.
  - SHELL: NI 30u" MIN. PLATED OVERALL
  - MID PLATE: CLEANING.
- ELECTRICAL SPECIFICATION:
  - RATED CURRENT: VBUS AND GND PIN 3.0A;  
Other pin 0.25A
  - CONTACT RESISTANCE: 40mΩ MAX(INITIAL). 50mΩ MAX (AFTER).
  - INSULATION RESISTANCE: 100MΩ MIN.
  - DIELECTRIC WITHSTANDING VOLTAGE: 100V AC R.M.S.
- MACHINERY SPECIFICATION:
  - MATING FORCE: 5N~20N.  
UNMATING FORCE: 8N~20N. (AFTER TEST:6N~20N).
  - DURABILITY: 10000 CYCLES MIN.
- ENVIRONMENTAL SPECIFICATION
  - OPERATING CONDITION: TEMPERATURE-40°C~+85°C;  
HUMIDITY 80% R.H MAX
  - SALT SPRAY: 24H
- SOLDER ABILITY: 245±5°C, 5±0.5s
- IR REFLOW: THE PEAK TEMPERATURE ON THE BOARD SHALL BE MAINTAINED FOR 10 SECONDS AT 260°C.



MILLIMETERS	INCH
X.° ±2°	X.° ±2°
.X ±0.30	.X ±0.012
.XX ±0.20	.XX ±0.008
.XXX ±0.10	.XXX ±0.004



FOR YOUR  
VITAL CONNECTION

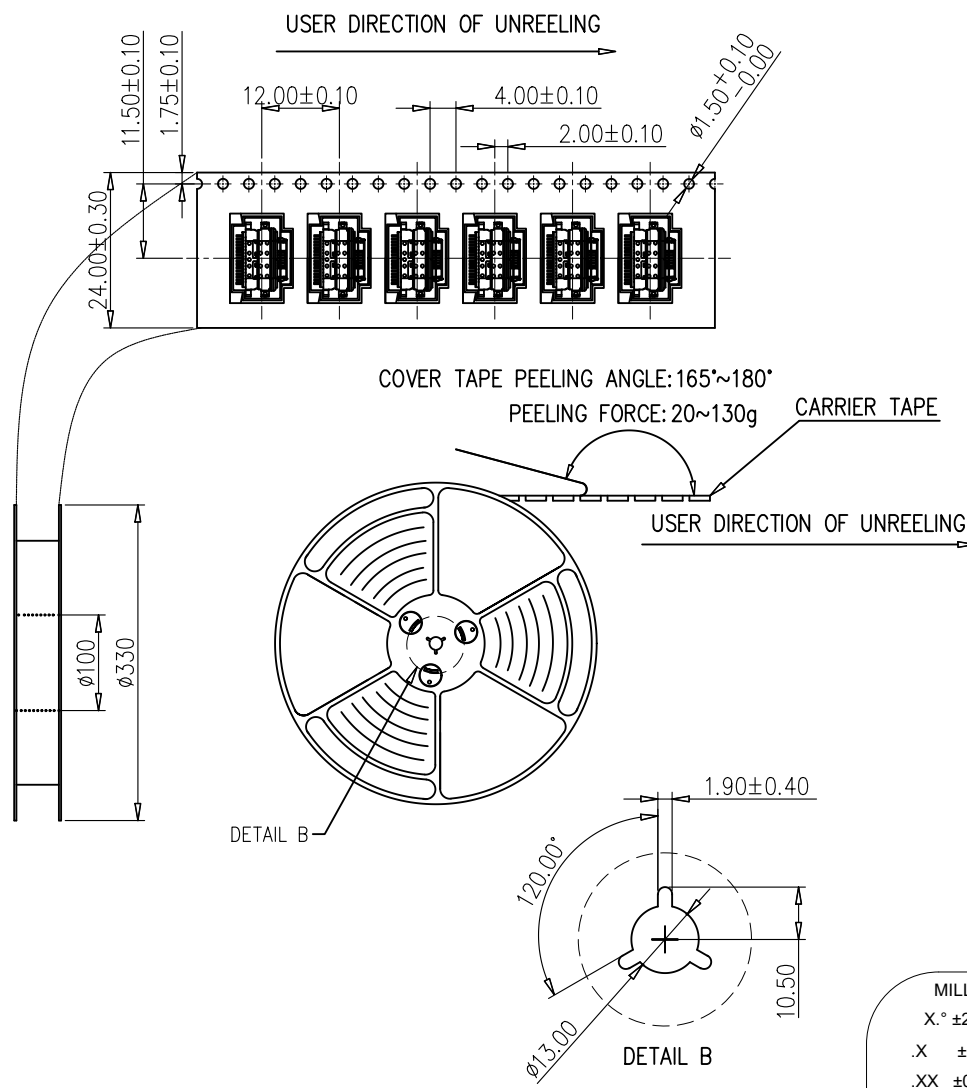
TITLE: TYPE C 16PIN 沉板 1.58 L6.90 漏舌片 IP67

DRAWN BY:	Zou Long	PART NO:	UC3114292E1	SHEET:	1 OF 2	REV:	A0
CHECKED BY:	Bob	DWG NO:	VTC-TZ-00145	SIZE:	A4	UNIT:	mm
APPROVED BY:	QPF	PROJECTION:		http://www.vitalconn.com			

For technical support, please send an email to support@vitalconn.com

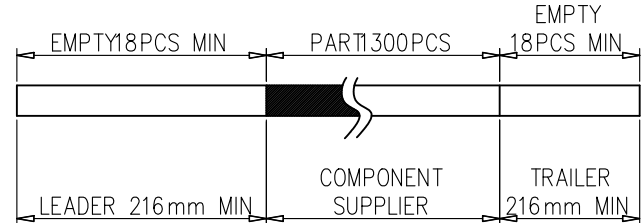


REV:	ECN. NO.	NAME	DATE
A0	----	-----	04-28-2026

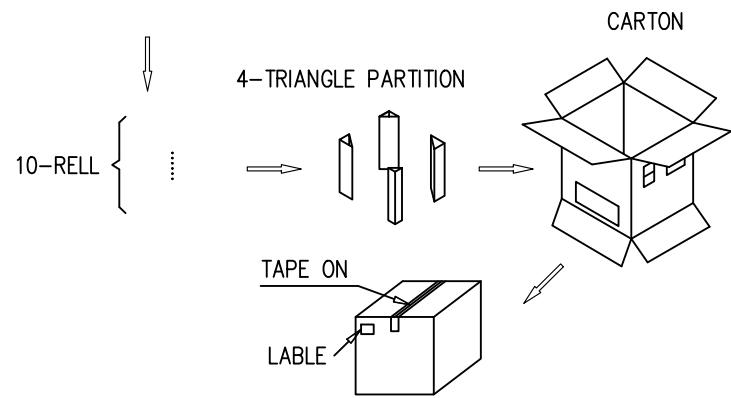


NOTES

1. NUMBER OF CONNECTORS: 1300PCS/REEL
2. LEAD TAPE LENGTH



3. QUANTITY: 13000PCS/CARTON



MILLIMETERS	INCH
X.° ±2°	X.° ±2°
.X ±0.30	.X ±0.012
.XX ±0.20	.XX ±0.008
.XXX ±0.10	.XXX ±0.004



FOR YOUR VITAL CONNECTION

TITLE:	TYPE C 16PIN 沉板1.58 L6.90 漏舌片 IP67								
DRAWN BY:	Zou Long	PART NO:	UC3114292E1	SHEET:	2 OF 2	REV:	A0		
CHECKED BY:	Bob	DWG NO:	VTC-TZ-00145	SIZE:	A4	UNIT:	mm	FCN:	E1
APPROVED BY:	QPF	PROJECTION:		<a href="http://www.vitalconn.com">http://www.vitalconn.com</a>					

For technical support, please send an email to [support@vitalconn.com](mailto:support@vitalconn.com)