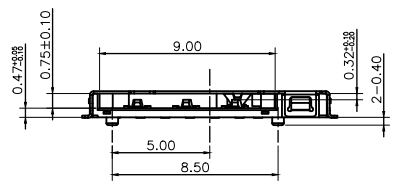
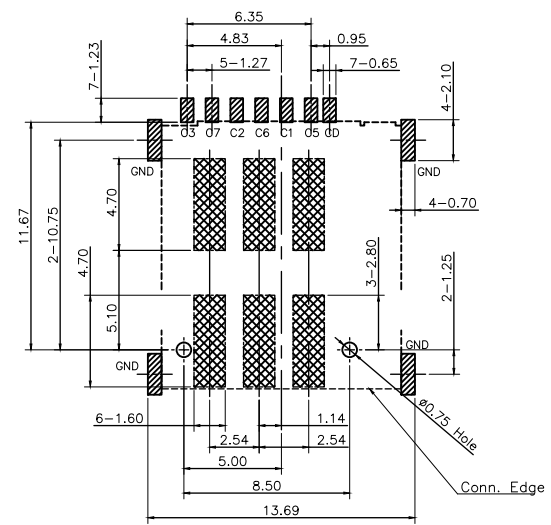
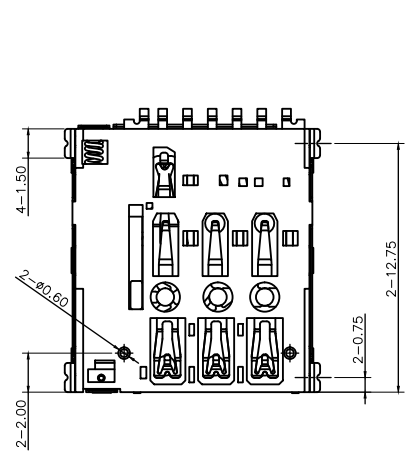
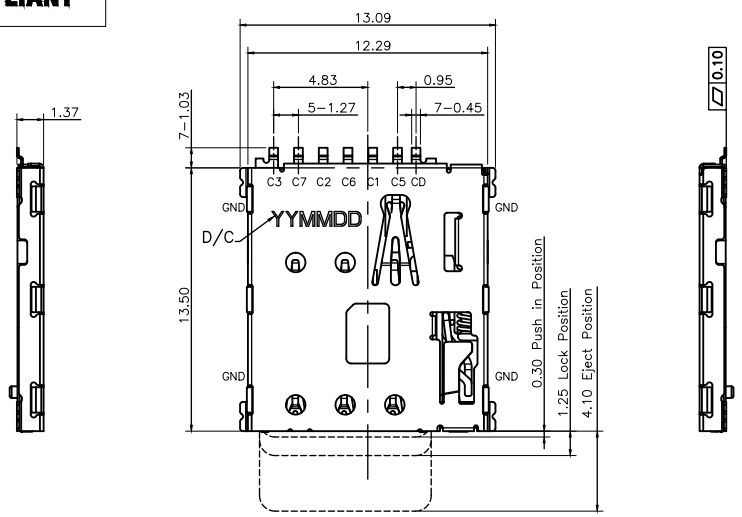




REV:	ECN. NO.	NAME	DATE
A0	----	-----	04-07-2026



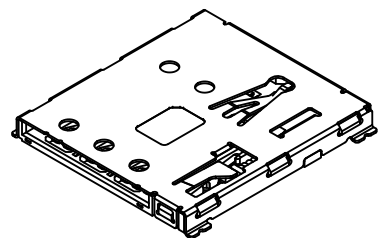
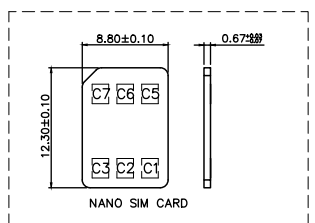
	Card Detect Switch
Card Uninsertion	Close
Card Insertion	Open

Open	Close

Recommended PCB Layout  
Top View (Tolerance ±0.05)

- Pad Area
- OTHER COMPONENT KEEPOUT AREA



Technical Speciality:

1. Rated Voltage: 5V
2. Current Rating: 0.5A
3. Insulation Resistance: 1000MΩ Min.
4. Contact Resistance: 100mΩ Max.
5. Withstanding Voltage: 500V DC For 1 Minutes.
6. Operating Temperature: -40°C ~ +75°C Humidity 80% R.H Max.

DIMENSIONS INIT: mm	
UNLESS OTHERWISE SPECIFIABLE	
DIMENSION	TOLERANCE
X.X:	±0.35
X.XX:	±0.25
X.XXX:	±0.10
ANGULAR:	± 2°



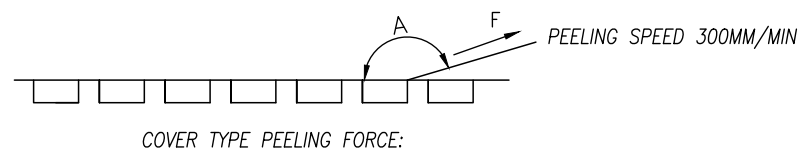
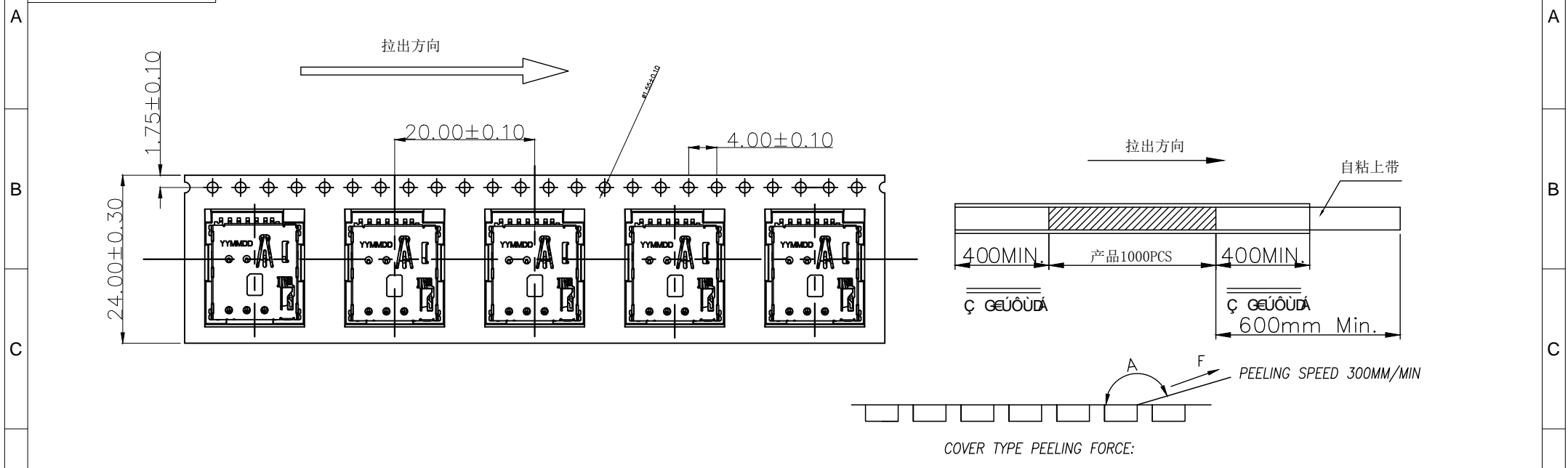
FOR YOUR  
VITAL CONNECTION

TITLE:		NANO SIM H1.37 PUSH-PUSH SMT				
DRAWN BY:	Zou Long	PART NO:	CT113113740E7	SHEET: 1 OF 3	REV: A0	
CHECKED BY:	Bob	DWG NO:	D-CT113113740E7	SIZE: A4	UNIT:mm	FCN: E7
APPROVED BY:	QPF	PROJECTION:		http://www.vitalconn.com		

For technical support, please send an email to support@vitalconn.com

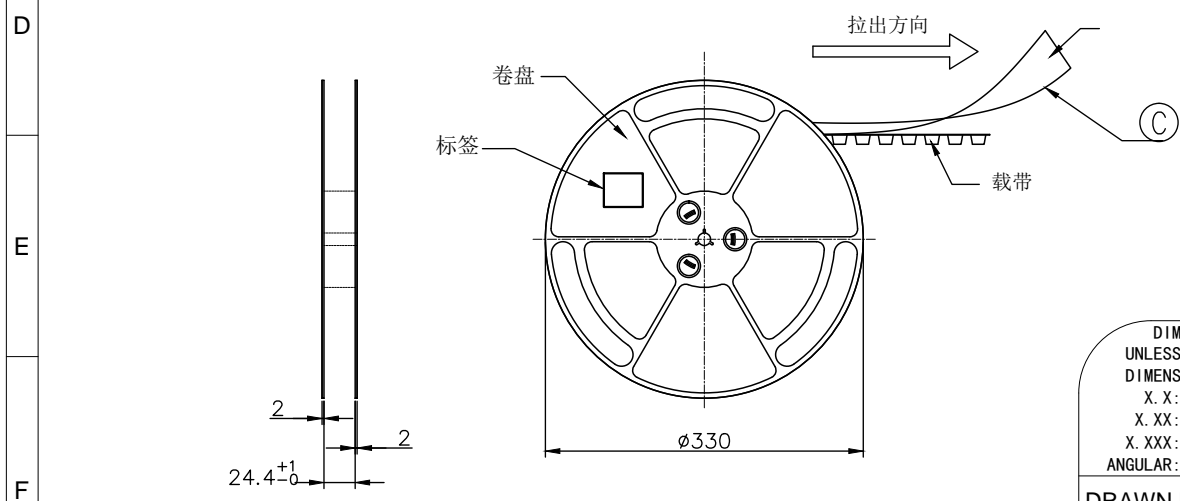


REV:	ECN. NO.	NAME	DATE
A0	----	-----	04-07-2026



COVER TYPE PEELING FORCE:

A	165°~180°
F	0.1N~1.3N



DIMENSIONS IN: mm  
UNLESS OTHERWISE SPECIFIABLE

DIMENSION	TOLERANCE
X.X:	±0.35
X.XX:	±0.25
X.XXX:	±0.10
ANGULAR:	± 2°



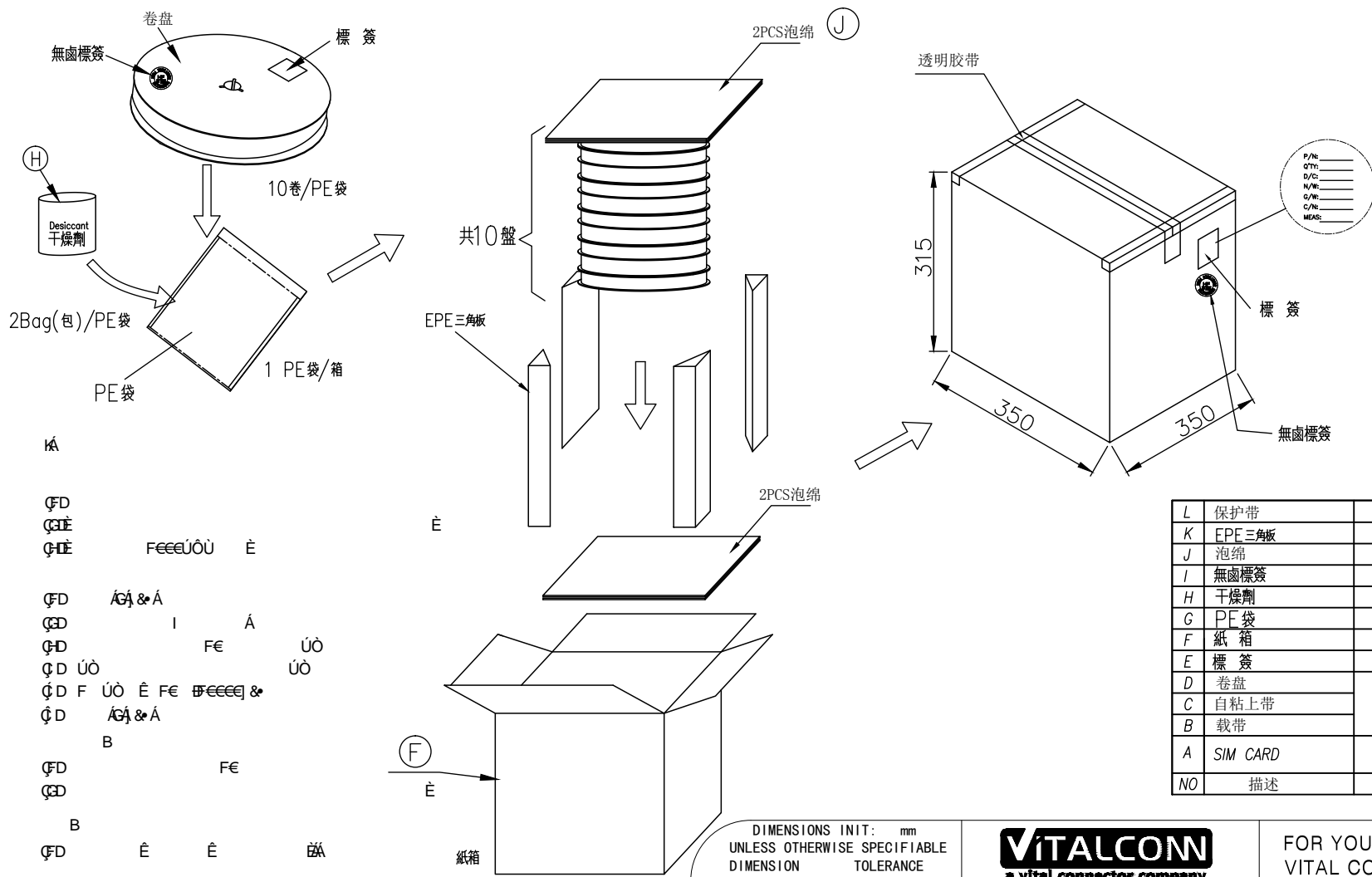
FOR YOUR VITAL CONNECTION

TITLE:	NANO SIM H1.37 PUSH-PUSH SMT								
DRAWN BY:	Zou Long	PART NO:	CT113113740E7	SHEET:	2 OF 3	REV:	A0		
CHECKED BY:	Bob	DWG NO:	D-CT113113740E7	SIZE:	A4	UNIT:	mm	FCN:	E7
APPROVED BY:	QPF	PROJECTION:		http://www.vitalconn.com					

For technical support, please send an email to [support@vitalconn.com](mailto:support@vitalconn.com)



REV:	ECN. NO.:	NAME	DATE
A0	----	-----	04-07-2026



1 卷盘  
 2 无鹵標籤  
 3 標籤  
 4 干燥劑  
 5 10卷/PE袋  
 6 2PCS泡绵  
 7 EPE三角板  
 8 透明胶带  
 9 紙箱

DIMENSIONS IN: mm  
 UNLESS OTHERWISE SPECIFIABLE  
 DIMENSION TOLERANCE  
 X.X: ±0.35  
 X.XX: ±0.25  
 X.XXX: ±0.10  
 ANGULAR: ±2°



FOR YOUR VITAL CONNECTION

TITLE:	NANO SIM H1.37 PUSH-PUSH SMT					
DRAWN BY:	Zou Long	PART NO:	CT113113740E7	SHEET: 3 OF 3	REV: A0	
CHECKED BY:	Bob	DWG NO:	D-CT113113740E7	SIZE: A4	UNIT:mm	FCN: E7
APPROVED BY:	QPF	PROJECTION:		http://www.vitalconn.com		

For technical support, please send an email to support@vitalconn.com