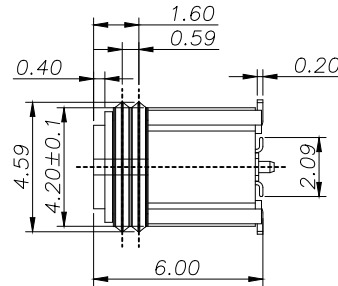
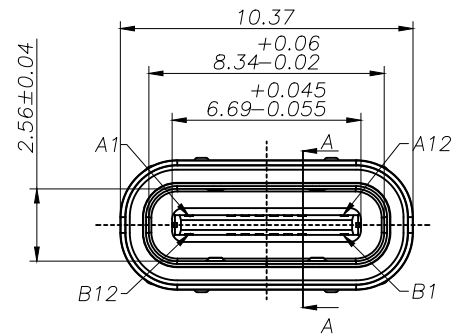
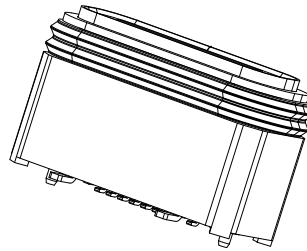
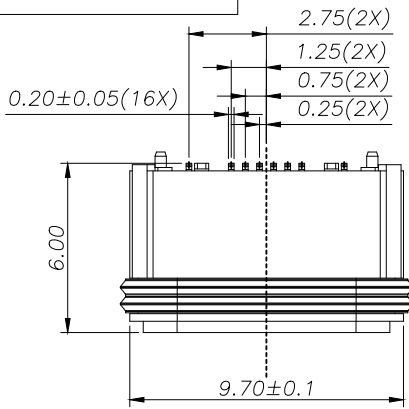
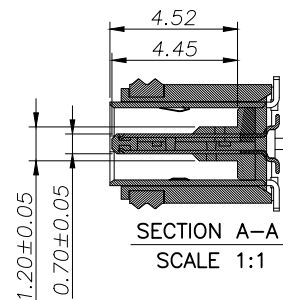
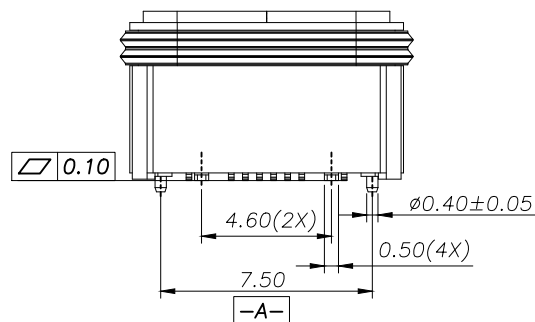
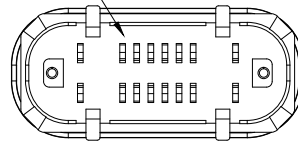




REV:	ECN. NO.	NAME	DATE
A0	-----	-----	04-03-2026



POSITION OF GLUE



NOTE:

1.MATERIAL SPECIFICATION:

- 1.HOUSING:HIGH TEMPERATURE RESISTANT PLASTIC
- 2.TERMINAL: COPPER ALLOY
- 3.MID PLATE: STAINLESS STEEL
- 4.FRONT SHELL: STAINLESS STEEL
- 5.O-RING: SILICA GEL, BLACK
- 6.GLUE:EPOXY,BLACK

2.PLATING SPECIFICATION:

- 2-1.TERMINAL:
Ni 50u" MIN. UNDER PLATED OVER ALL.
Au PLATED ON THE CONTACT AREA SEE P/N.
Au G/F PLATED ON THE SOLDER AREA

- 2-2. SHELL:
Ni 50u" MIN. UNDER PLATED OVER ALL.

- 2-3.MID PLATE:
CLEAR ONLY

- 3.MECHANICAL PERFORMANCE,**
- 3-1.INSERTION FORCE: 0.5~2.0kgf.
 - 3-2.REMOVAL FORCE: 0.8kgf~2.0kgf.
 - 3-3.DURABILITY: 10000 CYCLES.

- 4.ELECTRICAL PERFORMANCE,**
- 4-1. VOLTAGE RATING: 5V.
CURRENT RATING: 5A.
 - 4-2. LLCR:
VBUS & GND PINS AND OTHER PINS: 40mΩ/PIN MAX.
LLCR MAX. CHANGE OF ALL PINS: 10mΩ.
 - 4-3.INSULATION RESISTANCE: 100MΩ MIN
 - 4-4.DIELECTRIC WITHSTAND VOLTAGE,AC 100V FOR 1 MINUTE.

- 5. ENVIRONMENTAL PERFORMANCE:**
- OPERATING TEMPERATURE: -25°C~+85°C.

- 6.IR REFLOW:**
- THE PEAK TEMPERATURE ON THE BOARD SHALL BE MAINTAINED FOR 10 SECONDS AT 260°C.

- 7.WATERPROOF:IPX5**

TOLERANCE

$\begin{matrix} \text{Y} \text{E} \text{A} \text{A} \text{E} \text{E} & \text{Y} \text{E} \text{A} \text{A} \text{E} \text{E} \\ \text{E} \text{Y} \text{A} \text{A} \text{E} \text{E} & \text{E} \text{Y} \text{A} \text{A} \text{E} \text{E} \\ \text{E} \text{Y} \text{A} \text{A} \text{E} \text{E} & \text{E} \text{Y} \text{A} \text{A} \text{E} \text{E} \end{matrix}$



FOR YOUR VITAL CONNECTION

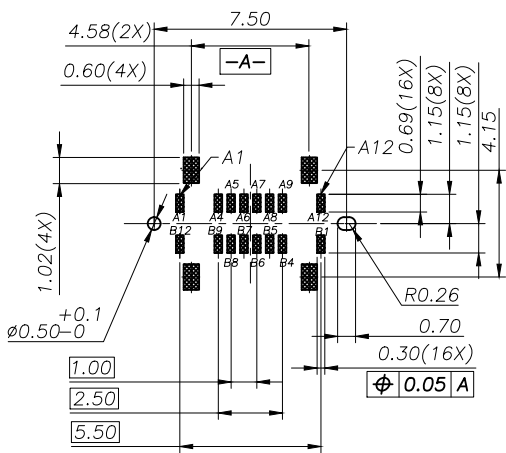
TITLE: USB TYPE C 16POS VERTIACL H=6.0MM IPX5

DRAWN BY:	Zou Long	PART NO:	UC-101584-22103-F9	SHEET:	1 OF 3	REV:	A0
CHECKED BY:	Bob	DWG NO:	D-UC-101584-22103-F9	SIZE:	A4	UNIT:	mm
APPROVED BY:	QPF	PROJECTION:		http://www.vitalconn.com			

For technical support, please send an email to support@vitalconn.com



REV:	ECN. NO.	NAME	DATE
A0	-----	-----	04-03-2026



RECOMMENDED PCB LAYOUT(TOP VIEW)
THICKNESS 0.8±0.10MM;DEFAULT TOLERANCE:±0.05

USB TYPE-C PIN ASSIGNMENTS

A1	A2	A3	A4	A5	A6	A7	A8	A9	A10	A11	A12
GND			Vbus	CC1	D+	D-	SBU1	Vbus			GND
GND			Vbus	SBU2	D-	D+	CC2	Vbus			GND
B12	B11	B10	B9	B8	B7	B6	B5	B4	B3	B2	B1

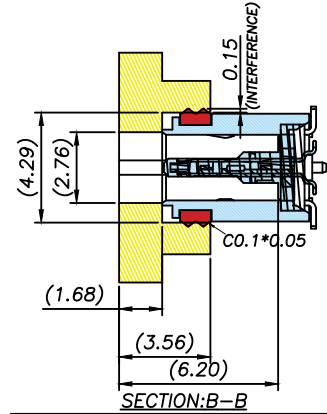
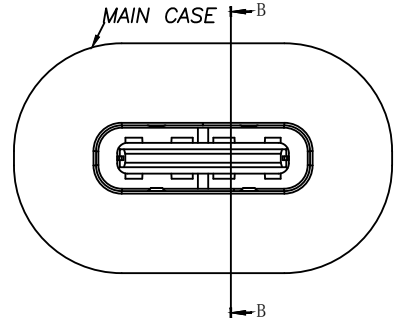
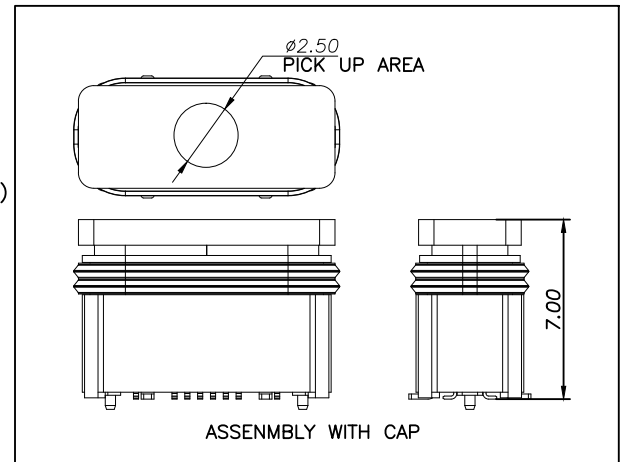
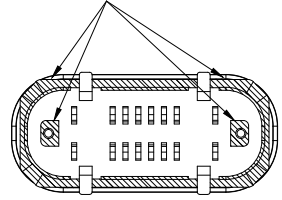
ORDER INFORMTION

P/N: UC-101584-22103-F9

CONTACT AREA PLATED
01: Au 1u"
03: Au 3u"
15: Au 15u"
30: Au 30u"

CONTACT SOLDER AREA PLATED
1: Au G/F

THERE IS SOME GLUE ON THE MAKE AREA(MAY BE)
IT IS NOT AFFECT SOLDERING



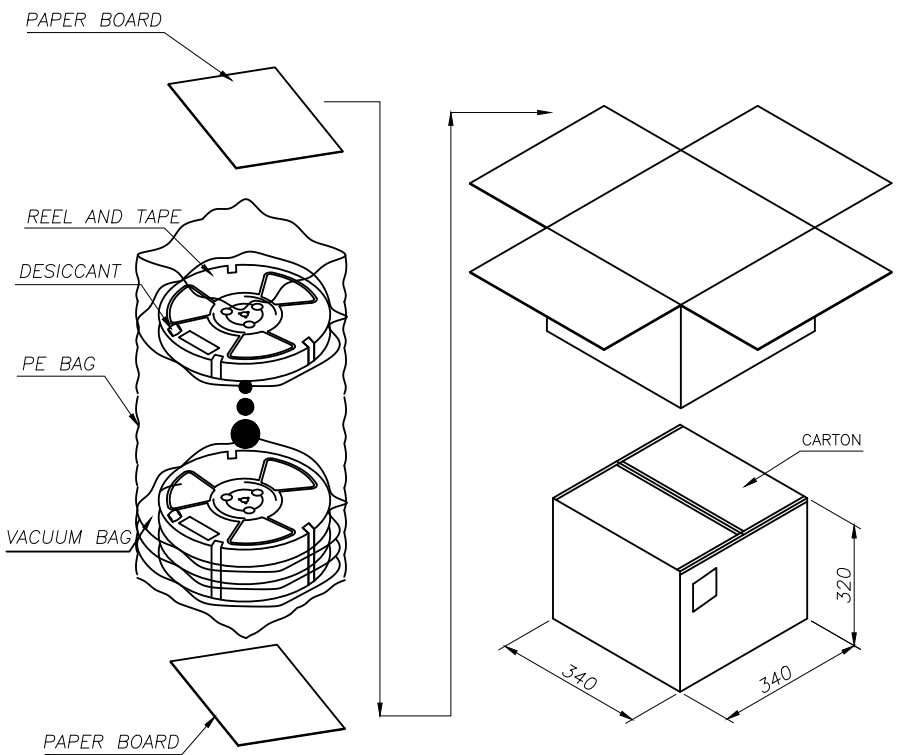
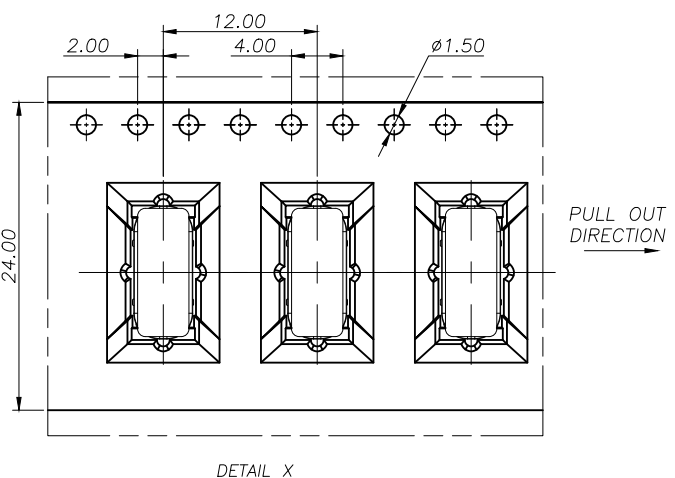
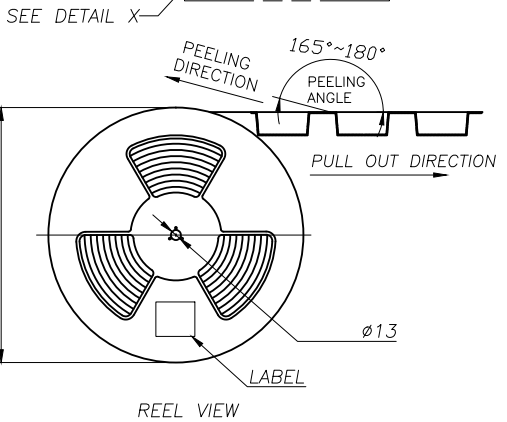
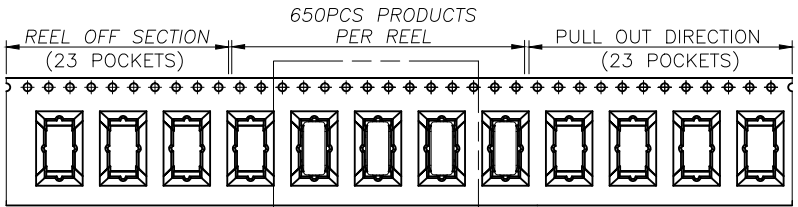
RECOMMENDED OPENING DIMENSIONS
OF CASE MATING AREA WITH SEALING RING

TOLERANCE		 a vital connector company	FOR YOUR VITAL CONNECTION						
$\begin{matrix} \text{Y} \\ \text{E} \\ \text{E} \\ \text{E} \end{matrix} \begin{matrix} \text{A} \\ \text{A} \\ \text{A} \\ \text{A} \end{matrix} \begin{matrix} \text{E} \\ \text{E} \\ \text{E} \\ \text{E} \end{matrix}$ $\begin{matrix} \text{E} \\ \text{E} \\ \text{E} \\ \text{E} \end{matrix} \begin{matrix} \text{A} \\ \text{A} \\ \text{A} \\ \text{A} \end{matrix} \begin{matrix} \text{E} \\ \text{E} \\ \text{E} \\ \text{E} \end{matrix}$ $\begin{matrix} \text{E} \\ \text{E} \\ \text{E} \\ \text{E} \end{matrix} \begin{matrix} \text{A} \\ \text{A} \\ \text{A} \\ \text{A} \end{matrix} \begin{matrix} \text{E} \\ \text{E} \\ \text{E} \\ \text{E} \end{matrix}$	TITLE: USB TYPE C 16POS VERTIACL H=6.0MM IPX5								
DRAWN BY:	Zou Long	PART NO:	UC-101584-22103-F9	SHEET:	2 OF 3	REV:	A0		
CHECKED BY:	Bob	DWG NO:	D-UC-101584-22103-F9	SIZE:	A4	UNIT:	mm	FCN:	F9
APPROVED BY:	QPF	PROJECTION:		http://www.vitalconn.com					

For technical support, please send an email to support@vitalconn.com



REV:	ECN. NO.	NAME	DATE
A0	----	-----	04-03-2026



	REEL/TRAY	CARTON
CONNECTOR (PCS)	650	6500

TOLERANCE		VITALCON a vital connector company		FOR YOUR VITAL CONNECTION	
Y B A A E E Y B A A F E E Y A A E E E Y A A A A E Y A A E E E Y A A A A		TITLE: USB TYPE C 16POS VERTIACL H=6.0MM IPX5			
DRAWN BY:	Zou Long	PART NO:	UC-101584-22103-F9	SHEET:	3 OF 3
CHECKED BY:	Bob	DWG NO:	D-UC-101584-22103-F9	SIZE:	A4
APPROVED BY:	QPF	PROJECTION:		http://www.vitalconn.com	

For technical support, please send an email to support@vitalconn.com