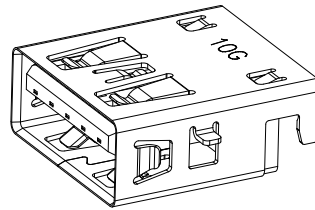
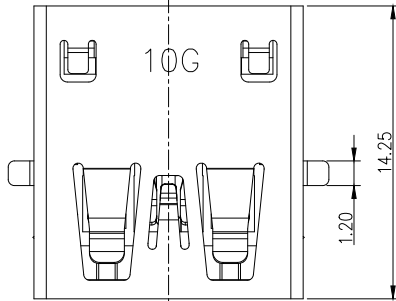


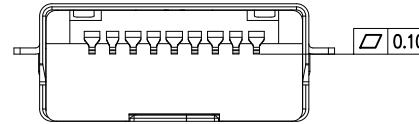
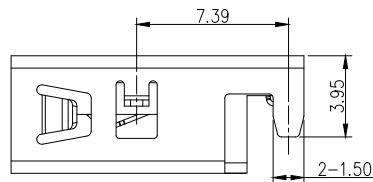
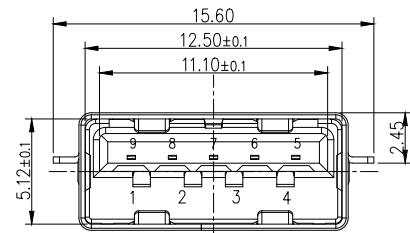


| | | | |
|------|----------|------|------|
| REV: | ECN. NO. | NAME | DATE |
| | | | |



3D VIEW

| | | | | | |
|-------------|--------------------|-------|-----|-------|-------|
| PIN NO. | 1 | 2 | 3 | 4 | |
| SIGNAL NAME | VBUS | D- | D+ | GND | |
| REMARK | USB2.0 CONTACT PIN | | | | |
| PIN NO. | 5 | 6 | 7 | 8 | 9 |
| SIGNAL NAME | SSRX- | SSRX+ | GND | SSTX- | SSTX+ |
| REMARK | USB3.0 CONTACT PIN | | | | |



NOTE:

1.MATERIAL:

- 1.1 INSULATOR:LCP UL94V-0,BLUE
- 1.2 CONTACT:COPPER ALLOY(T=0.20mm)
- 1.3 SHELL:STAINLESS STEEL(T=0.30mm)

2.ELECTRICAL CHARACTERISTICS;

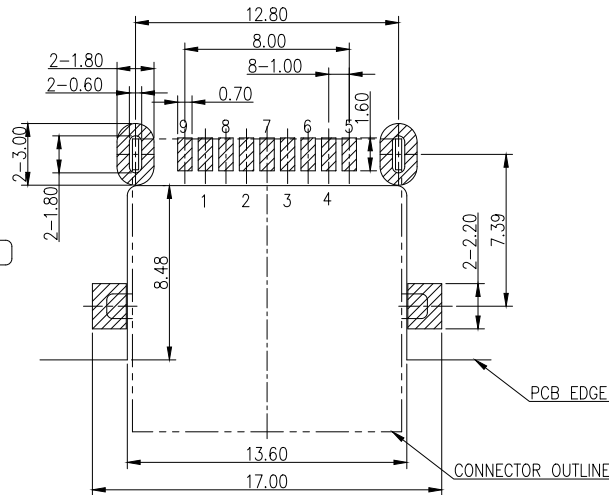
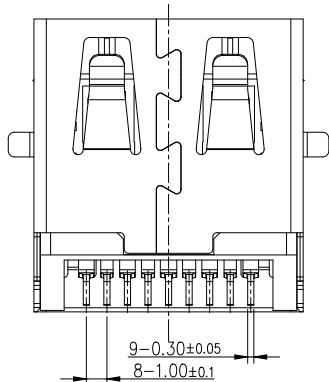
- 2.1 CONTACT RESISTANCE:50mΩ MAX.
- 2.2 CONTACT CURRENT RATING:1.5A
- 2.3 DIELECTRIC WITHSTANDING VOLTAGE:500V R.M.S.
- 2.4 INSULATION RESISTANCE 100 MEGOHMS MIN.
- 2.5 OPERATING TEMPERATURE:-40°C ~ 85°C

3 MECHANICAL CHARACTERISTICS:

- 3.1 MATING FORCE:3.57kg MAX
- 3.2 UNMATED FORCE:1.02kg MIN
- 3.3 DURABILITY:5,000 CYCLES

4.PLATING

- 4.1 TERMINAL:
30u" MIN. Ni UNDERPLATED OVERALL
80u"MIN. Tin PLATED ON SOLDER AREA
G/F PLATED ON CONTACT AREA
- 4.2 SHELL:50u"MIN. Ni PLATED OVERALL



RECOMMENDED PCB LAYOUT
(TOLERANCE±0.05)

| | |
|-------------|-----------|
| MILLIMETERS | INCH |
| X°. ±2° | X°. ±2° |
| .X ±0.30 | .X ±0.012 |
| .XX ±0.20 | .X ±0.008 |
| .XXX ±0.10 | .X ±0.004 |



FOR YOUR
VITAL CONNECTION

TITLE: USB3.1 Type A/F 90° 正向沉板2.45H

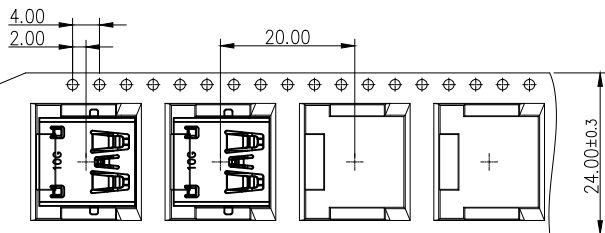
| | | | | | |
|--------------|----------|------------|-------------|--------------------------|---------|
| DRAWN BY: | Zou Long | PART NO: | UA4016372E1 | REV: A | |
| CHECKED BY: | Bob | SIZE: A4 | UNIT:mm | SHEET:1 OF 2 | FCN: E1 |
| APPROVED BY: | QPF | PROJECTION | | http://www.vitalconn.com | |

For technical support, please send an email to support@vitalconn.com



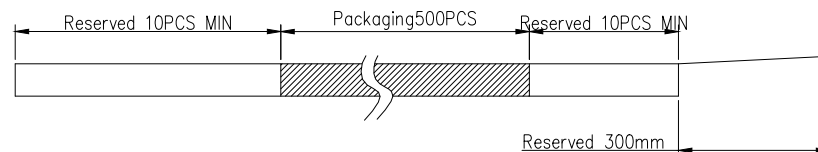
| | | | |
|------|----------|------|------|
| REV: | ECN. NO. | NAME | DATE |
| | | | |
| | | | |

Direction of use →

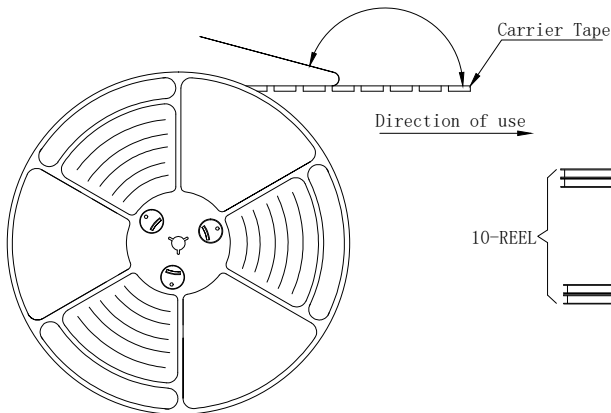


NOTES:

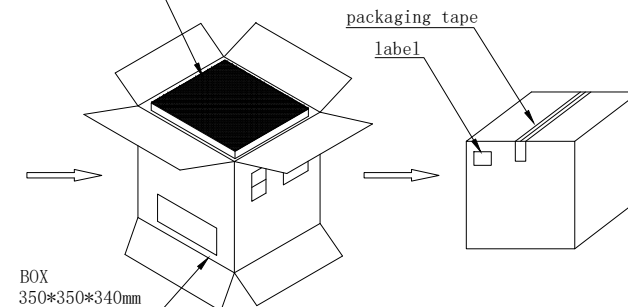
- 1、Packing quantity per plate: 500PCS/Plate
- 2、Loading and packing method



3、Total packaging: 5000PCS/Box



The bottom and top of the carton Pad it with a piece of pearl wool



| Part Number | Description | Quantity |
|-------------|---|----------|
| 303020161 | Carrierband (Lucent, PET W=24 PH=20, T=0.3) | 104M |
| 303040009 | Box (K=K, T=7.0, 350*350*340) | 1PCS |
| 303060001 | PE Bag (T=0.08mm, 730*760*730) | 1PCS |
| 303070024 | Self-adhesive (W=21.30) | 107M |
| 303110001 | Beam (K=K, T=7.0, 95*95*290) | 4PCS |
| 303130001 | Pearl Wool (340*340*18) | 2PCS |
| 303180017 | REEL (BLUE, 13Inches*24mm, φ 330) | 10PCS |
| UA4016372E1 | USB3.1 Type A/F 90° 正向沉板2.45H<UB008-000> | 5000PCS |

| | | | | | | | |
|---|--|--|--|-------------------------------|--|---------------------------|--|
| MILLIMETERS X°. ±2° .X ±0.30 .XX ±0.20 .XXX ±0.10 | | INCH X°. ±2° .X ±0.012 .X ±0.008 .X ±0.004 | | a vital connector company | | FOR YOUR VITAL CONNECTION | |
| DRAWN BY: Zou Long | | PART NO: UA4016372E1 | | | | REV: A | |
| CHECKED BY: Bob | | SIZE: A4 | | UNIT:mm | | SHEET:2 OF 2 FCN: E1 | |
| APPROVED BY: QPF | | PROJECTION | | | | http://www.vitalconn.com | |

For technical support, please send an email to support@vitalconn.com