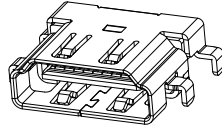
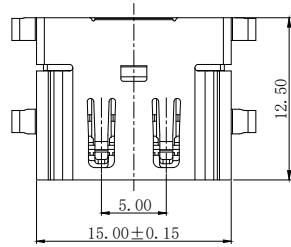


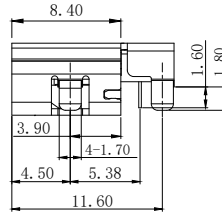
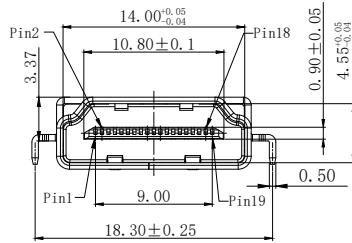


REV:	ECN. NO.	NAME	DATE



SPECIFICATIONS:

- ELECTRICAL CHARACTERISTICS**
 - CURRENT RATING: 0.5 AMP
 - VOLTAGE RATING: 40 V
 - CONTACT RESISTANCE: 30MILLIOHMS MAX
 - INSULATION RESISTANCE: 100M MIN. @500V DC
 - DIELECTRIC WITHSTANDING VOLTAGE: 500V AC FOR 1 MINUTE
- MECHANICAL CHARACTERISTICS:**
 - INSERTION FORCE : 4.5KGF MAX.
 - WITHDRAWING FORCE : 1KGF ~ 4KGF.
- LIFE TEST: 10000 CYCLES**
- OPERATING TEMPERATURE: -25° C TO +85° C**

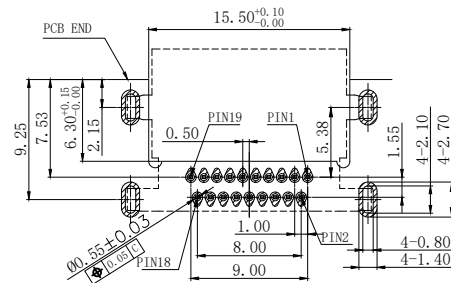
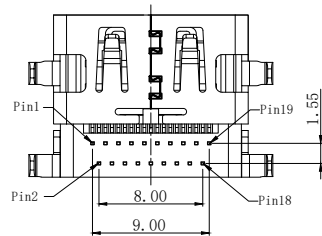


PART No. :

HM A 2 41 080 2 E1

HDMI
HDMI Type A
Female
PLATING:
41:G/F+BRIGHT TIN

Running Code
PAKING:
1: TRAY
2: REEL
SERIAL NO.



RECOMMENDED P. C. B LAYOUT
(TOLERANCE=±0.03mm)

MILLIMETERS	INCH
X±2°	X°±2°
.X±0.38	.XX±0.015
.XX±0.25	.XXX±0.010
.XXX±0.15	.XXXX±0.006

SHELL	1	C2680R-H Ni T=0.5MM, 50u"MIN. NICEL ALL OVER
TERMINAL	19	C2680R-H G/F:BRIGHT TIN
HOUSING	1	LCP E130i UL94V-0 BLACK
PART NAME	QTY	MATERIAL PLATING & COLOR



FOR YOUR
VITAL CONNECTION

TITLE: HDMI反向沉板式铜壳镀镍四K脚四反弹片

DRAWN BY:	Zou Long	PART NO:	HMA2410802E1	REV: A0
CHECKED BY:	Bob	SIZE: A1	UNIT:mm	SHEET:1 OF 2
APPROVED BY:	QPF	PROJECTION		FCN: E1
For technical support, please send an email to support@vitalconn.com		http://www.vitalconn.com		

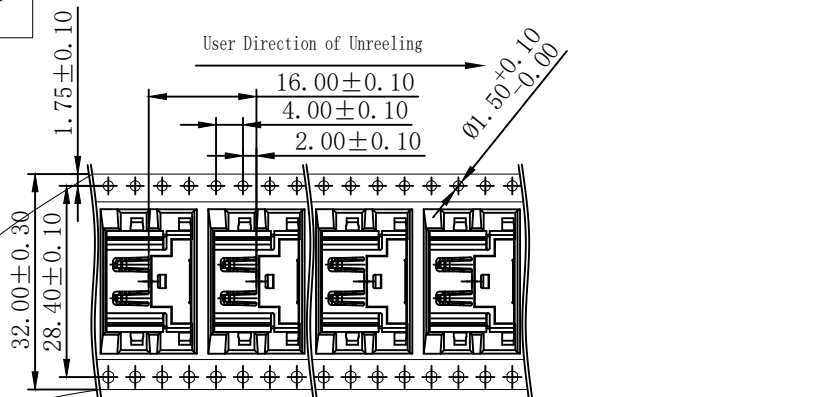
For technical support, please send an email to support@vitalconn.com



http://www.vitalconn.com

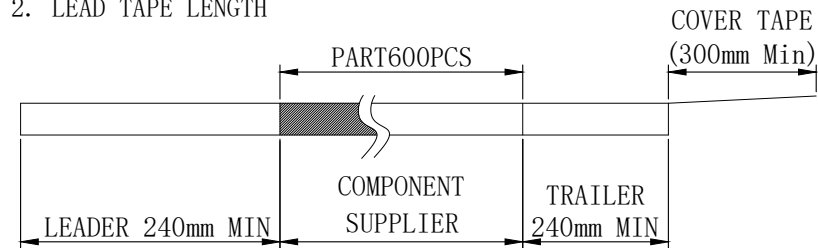


7		8	
REV:	ECN. NO.	NAME	DATE

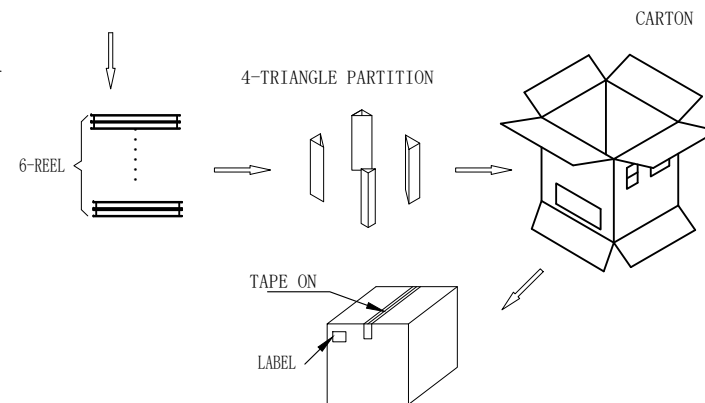
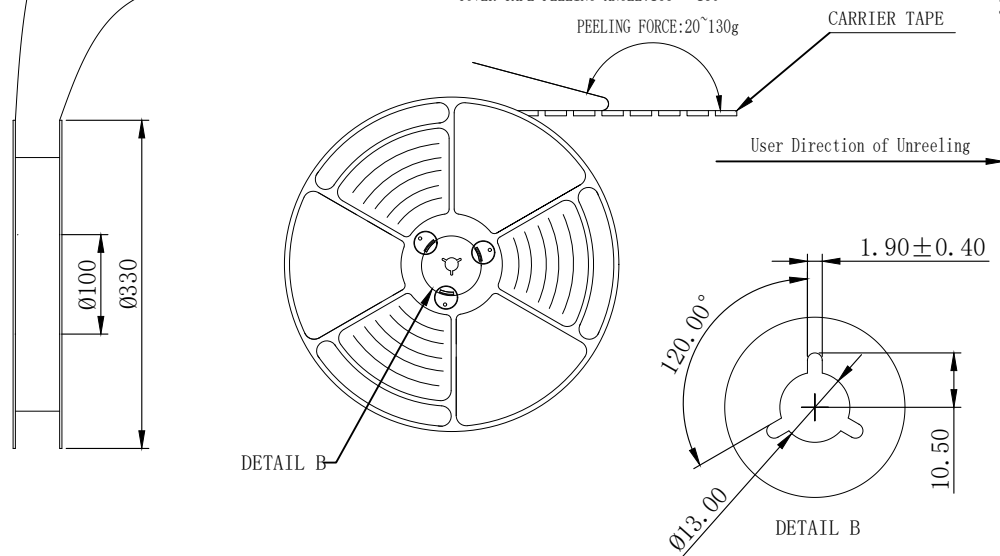


NOTES

1. NUMBER OF CONNECTORS: 600PCS/REEL
2. LEAD TAPE LENGTH



3. QUANTITY: 3600PCS/CARTON



MILLIMETERS	INCH
$X \pm 2^\circ$	$X \pm 2^\circ$
.X \pm 0.38	.XX \pm 0.015
.XX \pm 0.25	.XXX \pm 0.010
.XXX \pm 0.15	.XXXX \pm 0.006



FOR YOUR VITAL CONNECTION

TITLE: HDMI反向沉板式铜壳镀镍四K脚四反弹片

DRAWN BY: Zou Long PART NO: HMA2410802E1 REV: A0

CHECKED BY: Bob SIZE: A1 UNIT:mm SHEET:2 OF 2 FCN: E1

For technical support, please send an email to support@vitalconn.com APPROVED BY: QPF PROJECTION http://www.vitalconn.com