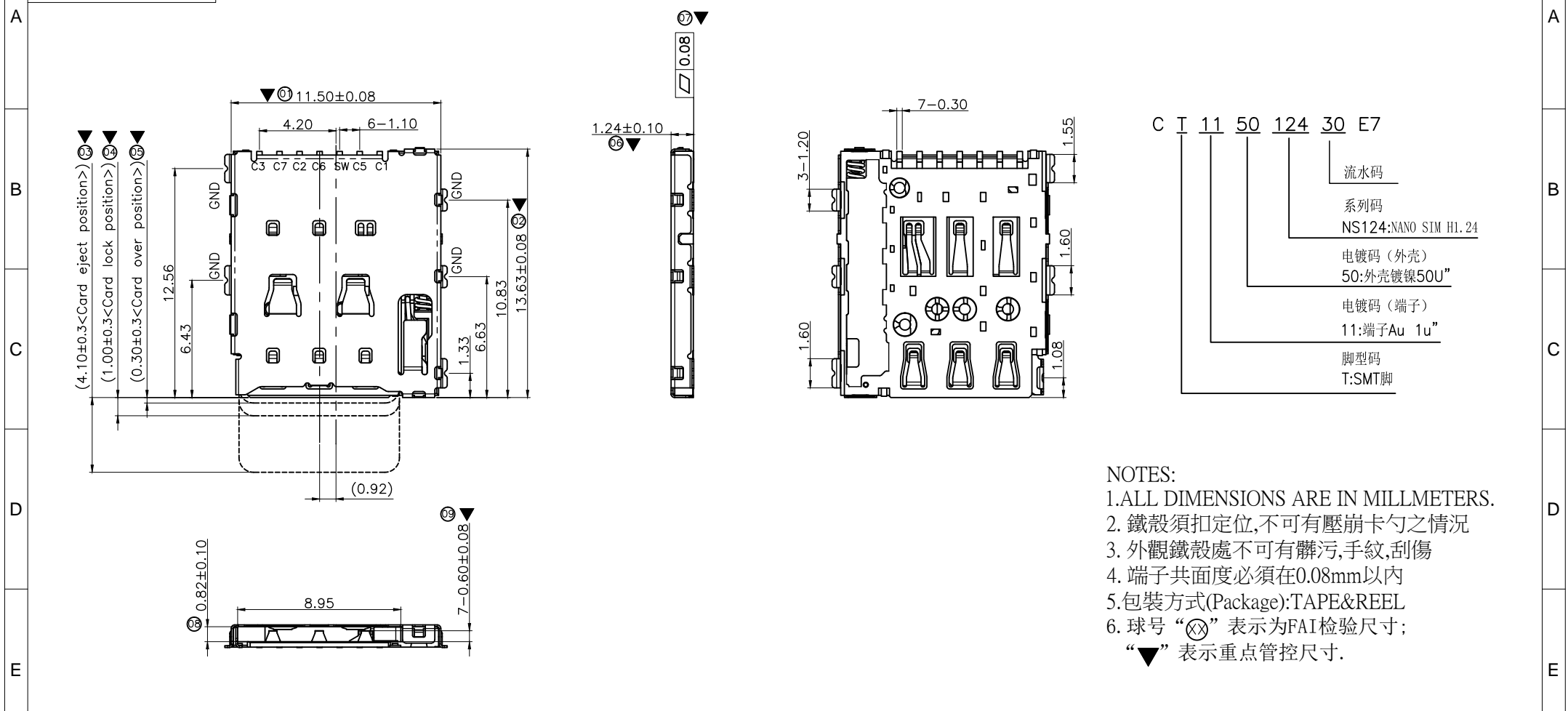




检验图

7		8	
REV: A0	ECN. NO.: -----	NAME: -----	DATE: 04-07-2026



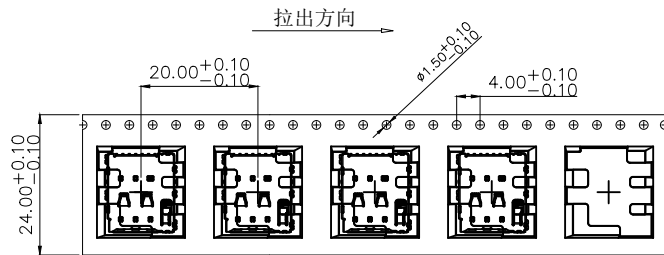
C	T	11	50	124	30	E7
流水码						
系列码						
NS124:NANO SIM H1.24						
电镀码 (外壳)						
50:外壳镀镍50U”						
电镀码 (端子)						
11:端子Au 1u”						
脚型码						
T:SMT脚						

- NOTES:
- 1.ALL DIMENSIONS ARE IN MILLMETERS.
 2. 鐵殼須扣定位,不可有壓崩卡勾之情況
 3. 外觀鐵殼處不可有髒污,手紋,刮傷
 4. 端子共面度必須在0.08mm以內
 - 5.包裝方式(Package):TAPE&REEL
 6. 球号 “(36)” 表示为FAI检验尺寸;
“(37)” 表示重点管控尺寸.

DIMENSIONS INIT: mm UNLESS OTHERWISE SPECIFIABLE DIMENSION TOLERANCE		 a vital connector company		FOR YOUR VITAL CONNECTION		
X. X:	±0.35			TITLE:	nano SIM H1.24 Push-Push SMT (端子1u金)	
X. XX:	±0.25	DRAWN BY:	Zou Long	PART NO:	CT115012430E7	SHEET: 1 OF 2
X. XXX:	±0.10	CHECKED BY:	Bob	DWG NO:	D-CT115012430E7	REV: A0
ANGULAR:	± 2°	APPROVED BY:	QPF	PROJECTION:		FCN: E7
For technical support, please send an email to support@vitalconn.com				http://www.vitalconn.com		

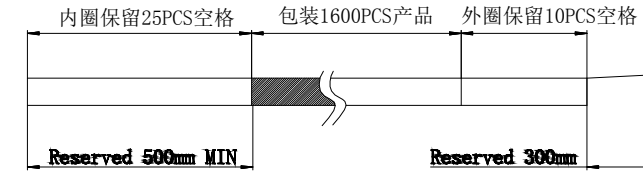


REV:	ECN. NO.	NAME	DATE
A0	-----	-----	04-07-2026

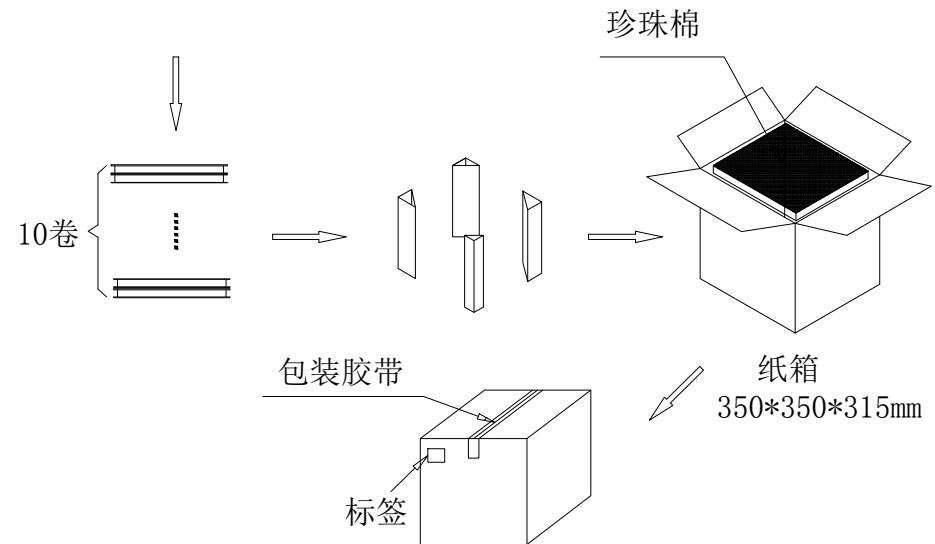
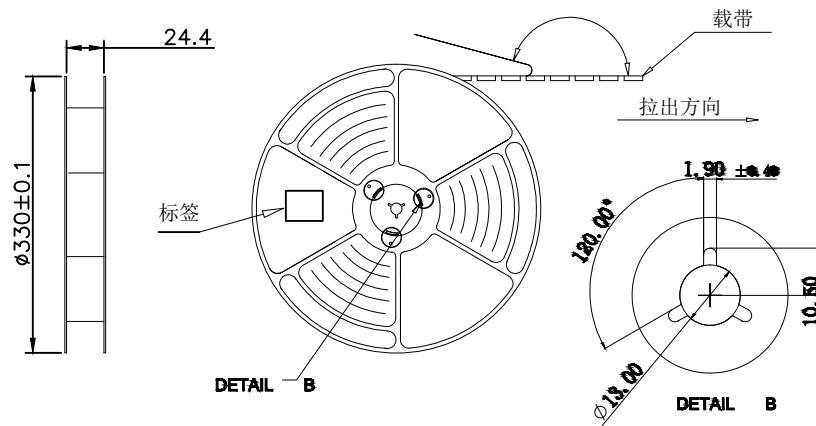


备注:

- 1、每盘包装数量: 1600PCS/盘, 标签贴在无孔一侧
- 2、载带和包装方法:



3. 每箱包装数量: 10卷盘
4. 每10盘装入1PCS PE防水袋,
5. 每箱总包装数量: 16000PCS/箱
6. 纸箱底部和顶部各放1PCS珍珠棉



10	干燥剂 (desiccant)	2PCS	5	自粘上带 (Cover tape)	33M*10PCS
9	三角纸板 (triangular board)	4PCS	4	卷盘 (reel)	10PCS
8	珍珠棉 (Pearl cotton)	2PCS	3	PE防水袋 (waterproof bag)	1PCS
7	纸箱 (carton)	1PCS	2	载带 (carrier tape)	32.7M*10PCS
6	保护带 (bracer)	10PCS	1	Nano SIM H1.24	16000PCS

DIMENSIONS IN: mm
UNLESS OTHERWISE SPECIFIABLE
DIMENSION TOLERANCE
X.X: ±0.35
X.XX: ±0.25
X.XXX: ±0.10
ANGULAR: ±2°



FOR YOUR VITAL CONNECTION

TITLE: nano SIM H1.24 Push-Push SMT (端子1u金)

DRAWN BY:	Zou Long	PART NO:	CT115012430E7	SHEET:	2 OF 2	REV:	A0
CHECKED BY:	Bob	DWG NO:	D-CT115012430E7	SIZE:	A4	UNIT:	mm
APPROVED BY:	QPF	PROJECTION:		http://www.vitalconn.com			

For technical support, please send an email to support@vitalconn.com