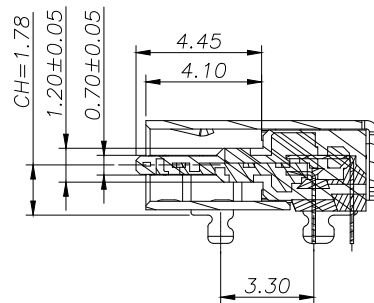
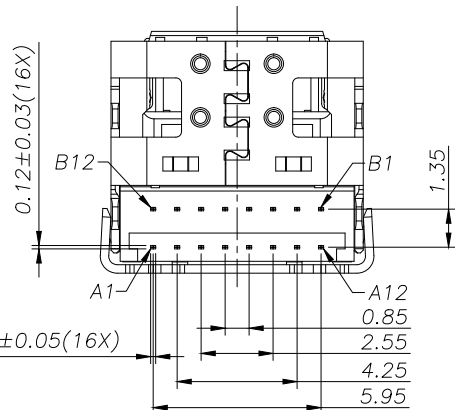
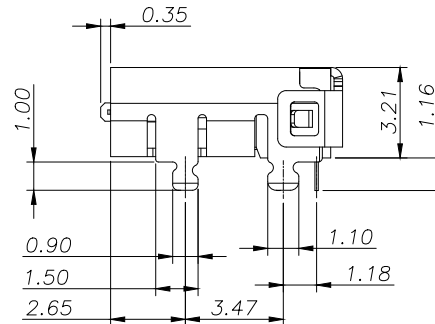
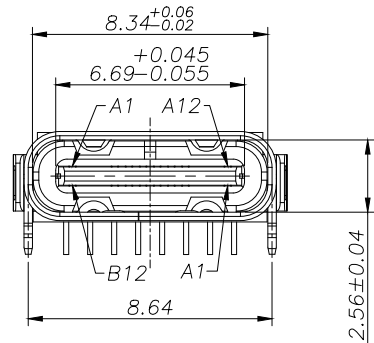
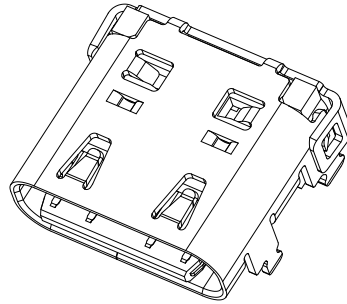
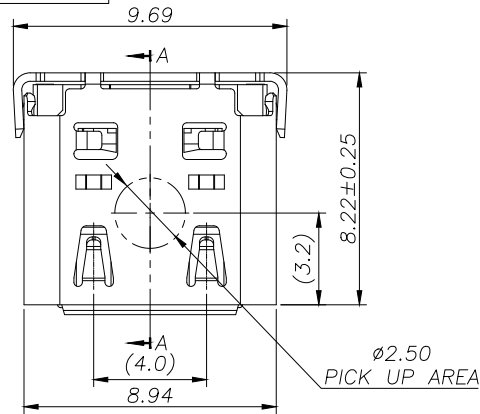




REV:	ECN. NO.	NAME	DATE
A0	----	---	04-03-2026



NOTE:

- MATERIAL SPECIFICATION:
  - HOUSING: HIGH TEMPERATURE RESISTANT PLASTIC, UL94 V-0. (PA9T, BLACK)
  - CONTACTS: COPPER ALLOY (C18150)
  - MID PLATE: STAINLESS STEEL (SUS301)
  - FRONT SHELL: STAINLESS STEEL (SUS304)
- PLATING SPECIFICATION:
  - TERMINAL:
    - Ni 50u" MIN. UNDER PLATED OVER ALL.
    - Au PLATED ON THE FUNCTIONAL AREA OF CONTACT. (GOLD PLATING THICKNESS FOLLOW THE P/N)
    - PLATING SPECIFICATIONS OF THE SOLDER AREA FOLLOW THE P/N
  - FRONT SHELL:
    - Ni 30u" MIN. UNDER PLATED OVER ALL.
  - MID PLATE:
    - CLEAR ONLY
- MECHANICAL PERFORMANCE,
  - INSERTION FORCE: 0.5~2.0kgf.
  - REMOVAL FORCE: 0.8kgf~2.0kgf.
  - DURABILITY: 10000 CYCLES.
- ELECTRICAL PERFORMANCE,
  - CURRENT RATING: 5.0A  
VOLTAGE RATING: 20V
  - LLCR:
    - VBUS & GND PINS AND OTHER PINS: 40mΩ/PIN MAX.
    - LLCR MAX. CHANGE OF ALL PINS: 10mΩ.
  - INSULATION RESISTANCE: 100MΩ MIN
  - DIELECTRIC WITHSTAND VOLTAGE, AC 100V FOR 1 MINUTE.
- ENVIRONMENTAL PERFORMANCE:
  - OPERATING TEMPERATURE: -25°C~+85°C.
- IR REFLOW:
  - THE PEAK TEMPERATURE ON THE BOARD SHALL BE MAINTAINED FOR 10 SECONDS AT 260°C.

TOLERANCE

X.X	±0.30	X.°	±10°
.XX	±0.20	.X°	±8°
.XXX	±0.10	.XX°	±5°



FOR YOUR VITAL CONNECTION

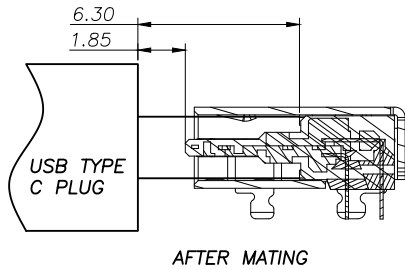
TITLE: USB CF 16PIN DOUBLE ROW DIP TERMINAL

DRAWN BY:	Zou Long	PART NO:	UC-101532-22103-F9	SHEET:	1 OF 3	REV:	A0
CHECKED BY:	Bob	DWG NO:	D-UC-101532-22103-F9	SIZE:	A4	UNIT:	mm
APPROVED BY:	QPF	PROJECTION:		http://www.vitalconn.com			

For technical support, please send an email to support@vitalconn.com

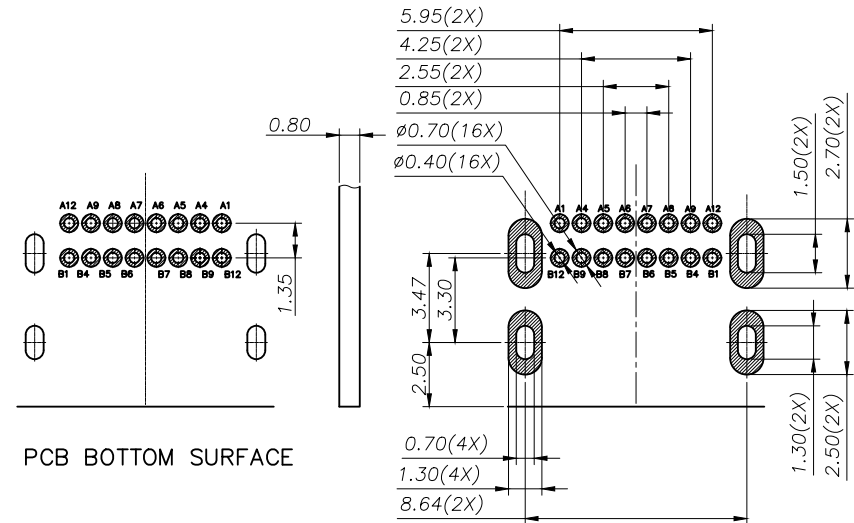


REV:	ECN. NO.	NAME	DATE
A0	----	---	04-03-2026



USB TYPE-C PIN ASSIGNMENTS

PIN NUMBER	SIGNAL NAME	PIN NUMBER	SIGNAL NAME
A1	GND	B12	GND
A4	Vbus	B9	Vbus
A5	CC1	B8	SBU2
A6	Dp1	B7	Dn2
A7	Dn1	B6	Dp2
A8	SBU1	B5	CC2
A9	Vbus	B4	Vbus
A12	GND	B1	GND



RECOMMENDED PCB LAYOUT(TOP VIEW)

DEFAULT TOLERANCE:±0.05

ORDER INFORMATION

P/N: UC-101532-22103-F9

CONTACT FUNCTIONAL AREA PLATED

- 01: Au 1u"
- 03: Au 3u"
- 15: Au 15u"
- 30: Au 30u"

CONTACT SOLDER AREA PLATED

- 1: Au 1u"

TOLERANCE

X.X	±0.30	X.°	±10°
.XX	±0.20	.X°	±8°
.XXX	±0.10	.XX°	±5°



FOR YOUR VITAL CONNECTION

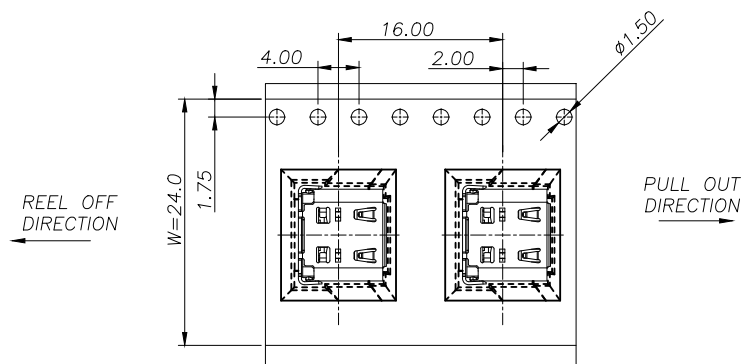
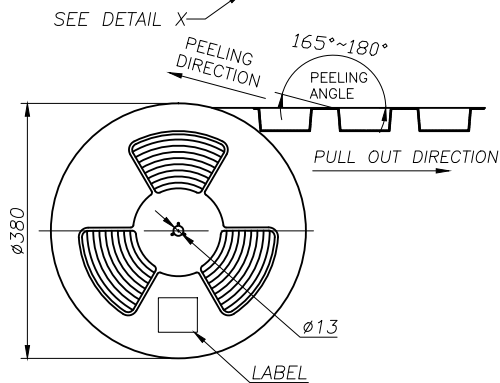
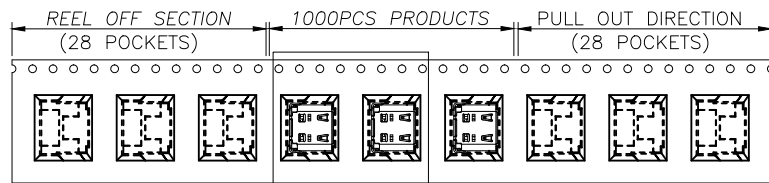
TITLE: USB CF 16PIN DOUBLE ROW DIP TERMINAL

DRAWN BY:	Zou Long	PART NO:	UC-101532-22103-F9	SHEET:	2 OF 3	REV:	A0
CHECKED BY:	Bob	DWG NO:	D-UC-101532-22103-F9	SIZE:	A4	UNIT:	mm
APPROVED BY:	QPF	PROJECTION:		http://www.vitalconn.com			

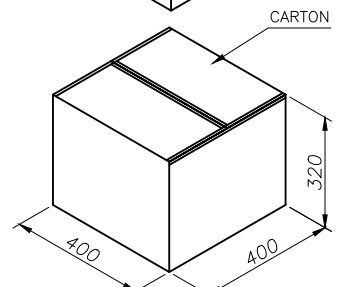
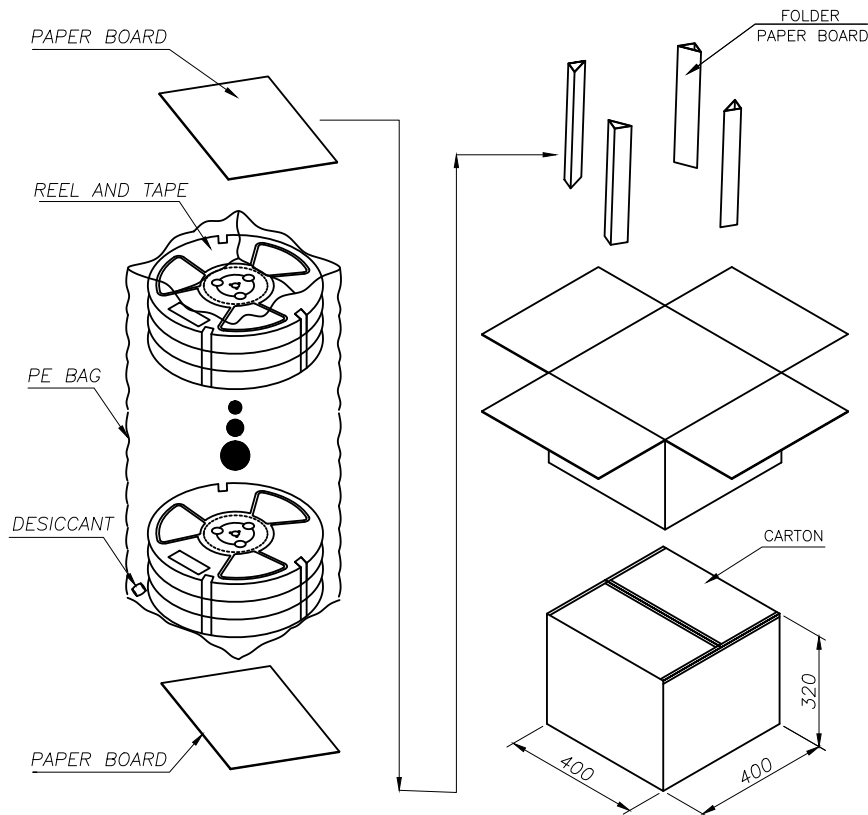
For technical support, please send an email to support@vitalconn.com



REV:	ECN. NO.	NAME	DATE
A0	----	---	04-03-2026



DETAIL X  
SCALE 2:1



	REEL/TRAY	CARTON
CONNECTOR (PCS)	1000	10000

TOLERANCE

X.X	±0.30	X.°	±10°
.XX	±0.20	.X.°	±8°
.XXX	±0.10	.XX.°	±5°



FOR YOUR VITAL CONNECTION

TITLE: USB CF 16PIN DOUBLE ROW DIP TERMINAL

DRAWN BY:	Zou Long	PART NO:	UC-101532-22103-F9	SHEET:	3 OF 3	REV:	A0
CHECKED BY:	Bob	DWG NO:	D-UC-101532-22103-F9	SIZE:	A4	UNIT:	mm
APPROVED BY:	QPF	PROJECTION:		http://www.vitalconn.com			

For technical support, please send an email to support@vitalconn.com