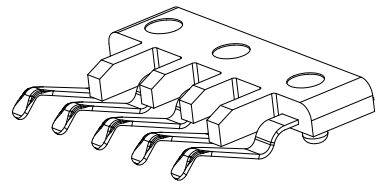
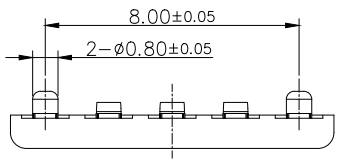
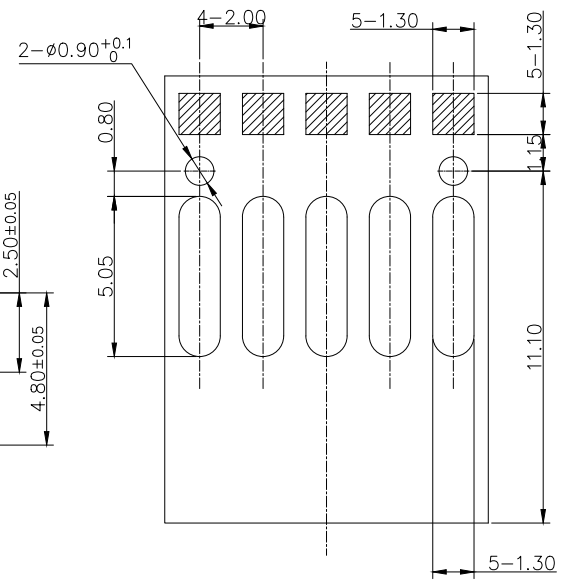
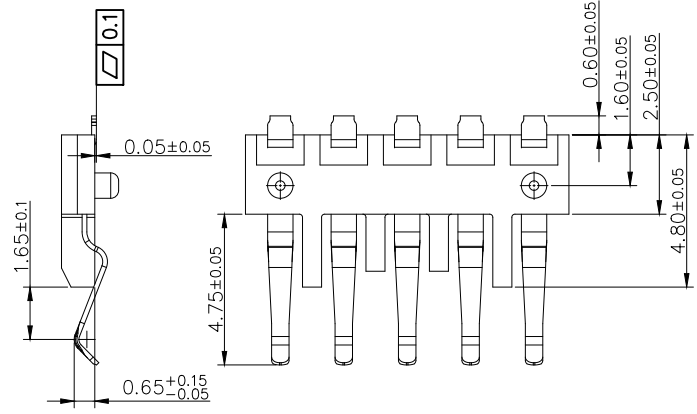
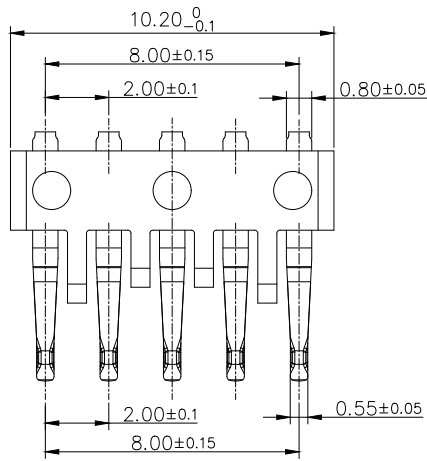




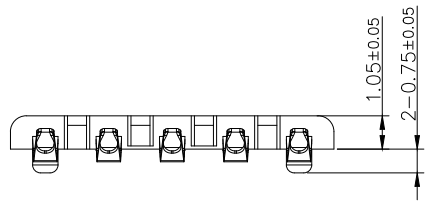
REV:	ECN. NO.	NAME	DATE



3D VIEW



RECOMMENDED PCB LAYOUT(T=0.8mm)
TOP VIEW (TOLERANCE±0.05)



- NOTE:
- MATERIAL:
 - INSULATOR:LCP E47Ii UL94V-0,BLUE
 - CONTACT: COPPER ALLOY(T=0.15mm)
 - ELECTRICAL CHARACTERISTICS:
 - CONTACT RESISTANCE: 50mΩ MAX.
 - CONTACT CURRENT RATING: 1.0A
 - DIELECTRIC WITHSTANDING VOLTAGE: AC 100V
 - INSULATION RESISTANCE 100 MEGOHMS MIN.
 - OPERATING TEMPERATURE: -20°C ~ 85°C
 - MECHANICAL CHARACTERISTICS:
 - DURABILITY: 5000 CYCLES
 - PLATING
 - TERMINAL:
 - 50u" MIN. Ni UNDERPLATED OVERALL
 - 80u"MIN. Matte Tin PLATED ON SOLDER AREA
 - 5u" Au PLATED ON CONTACT AREA

MILLIMETERS	INCH
X°. ±2°	X°. ±2°
.X ±0.30	.X ±0.012
.XX ±0.20	.X ±0.008
.XXX ±0.10	.X ±0.004



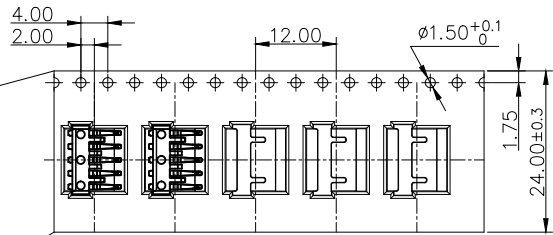
FOR YOUR VITAL CONNECTION

TITLE:	USB3.0 5PIN SIP		
DRAWN BY:	Zou Long	PART NO:	UA4056942E1
CHECKED BY:	Bob	SIZE: A4	UNIT:mm
APPROVED BY:	QPF	PROJECTION	
			SHEET: 1 OF 2
			FCN: E1
			http://www.vitalconn.com

For technical support, please send an email to support@vitalconn.com

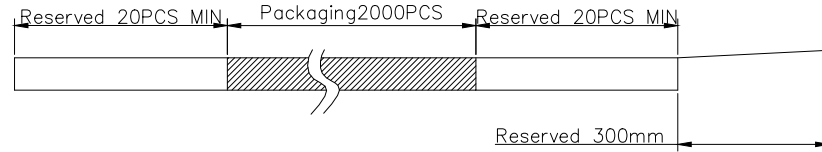


Direction of use →

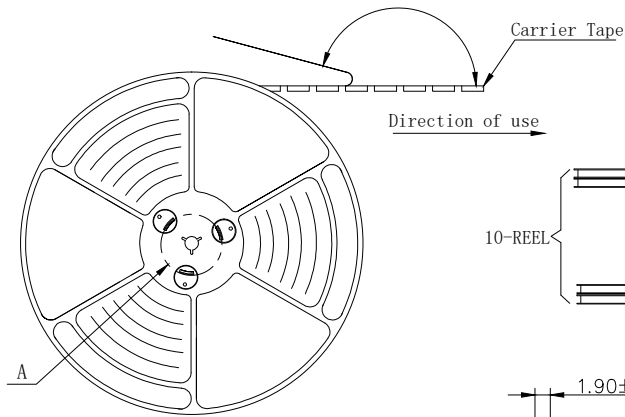


NOTES:

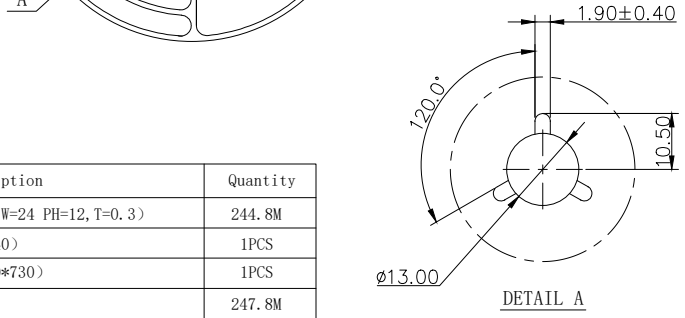
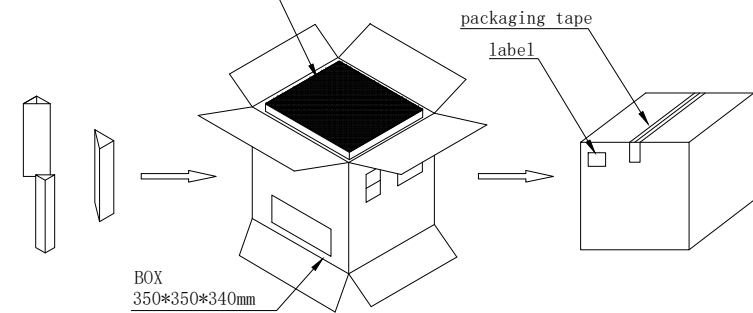
- 1、Packing quantity per plate: 2000PCS/Plate
- 2、Loading and packing method



3、Total packaging: 20000PCS/Box



The bottom and top of the carton Pad it with a piece of pearl wool



Part Number	Description	Quantity
303026942	Carrierband (Lucent, PET W=24 PH=12, T=0.3)	244.8M
303040009	Box (K=K, T=7.0, 350*350*340)	1PCS
303060001	PE Bag (T=0.08mm, 730*760*730)	1PCS
303070024	Self-adhesive (W=21.30)	247.8M
303110001	Beam (K=K, T=7.0, 95*95*290)	4PCS
303130001	Pearl Wool (340*340*18)	2PCS
303180017	REEL (BLUE, 13Inches*24mm, φ 330)	10PCS
UA4056942E1	USB3.0 5PIN SIP <UB009-000>	20000PCS

MILLIMETERS		INCH		 a vital connector company	FOR YOUR VITAL CONNECTION				
X° ±2°	.X ±0.30	X° ±2°	.X ±0.012		TITLE:	USB3.0 5PIN SIP			
.XX ±0.20	.X ±0.008	.XXX ±0.10	.X ±0.004	DRAWN BY:	Zou Long	PART NO:	UA4056942E1	REV: A	
				CHECKED BY:	Bob	SIZE: A4	UNIT:mm	SHEET:2 OF 2	FCN: E1
				APPROVED BY:	QPF	PROJECTION		http://www.vitalconn.com	

For technical support, please send an email to support@vitalconn.com