

1 Features

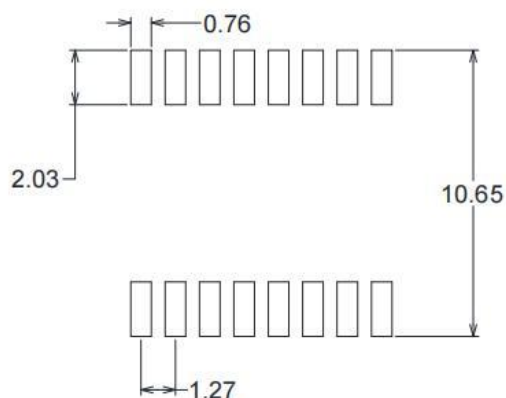
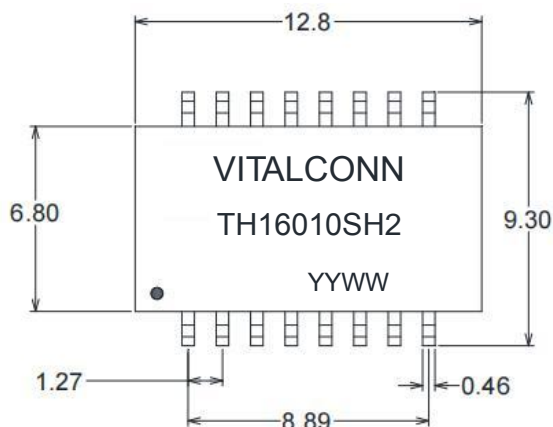
- Meets IEEE 802.3 and ANSI X3.263 standards .RoHS Compliant
- 10/100Base-T, Surface Mount Type, Open Header
- Cable interface for isolation and low common mode emissions.
- Reflow soldering temperature: peak temperature $\leq 250\text{ }^{\circ}\text{C}$ (10s)
- Reflow soldering frequency: It is recommended not to exceed 3 times
- Storage temperature range: $-25\text{ }^{\circ}\text{C}$ to $+85\text{ }^{\circ}\text{C}$
- Operating temperature range: $0\text{ }^{\circ}\text{C}$ to $+70\text{ }^{\circ}\text{C}$



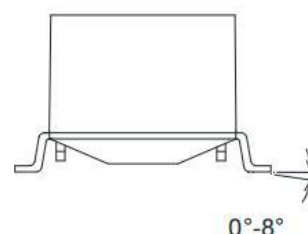
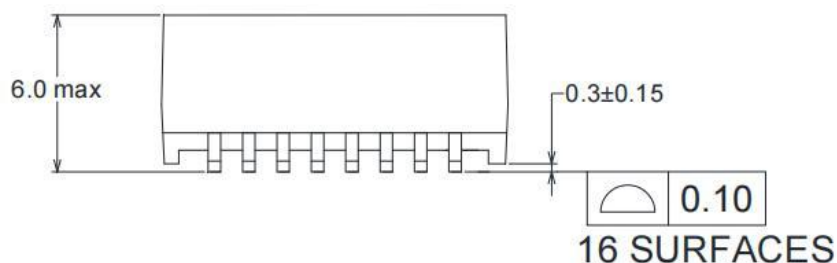
2 Specifications (特性参数)

Part No	OCL(uH min) @100KHz/0.1Vrms,8mA	Turns Ratio(3%)		DCR (Ω) Max	Cww(Pri:Sec) pF Typ		Isolation Voltage(AC Vrms 3S)
TH16010SH2	350UH	1:1		0.9/1.2	35		1500V
Part No	Insertion loss (dB max) 1-100MHz	Return Loss(dB Min) MHz			DMRR(dB min)MHz		Crosstalk(dB min)MHz
		1-30	40~60	60~100	1-60	60~100	1~100
TH16010SH2	-1.2	-18	-16	-14	-40	-30	-35

3 Mechanical (外观尺寸图)

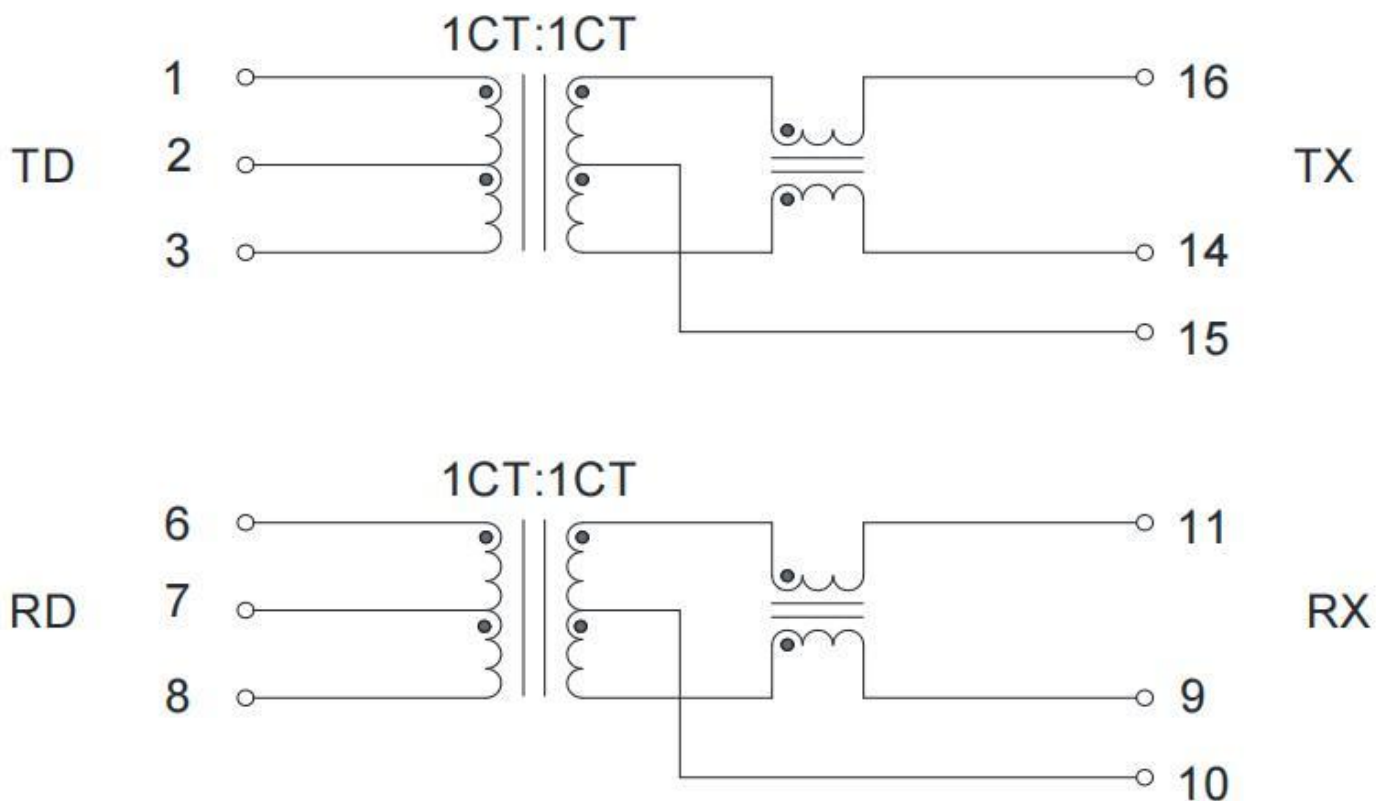


SUGGESTED PAD LAYOUT

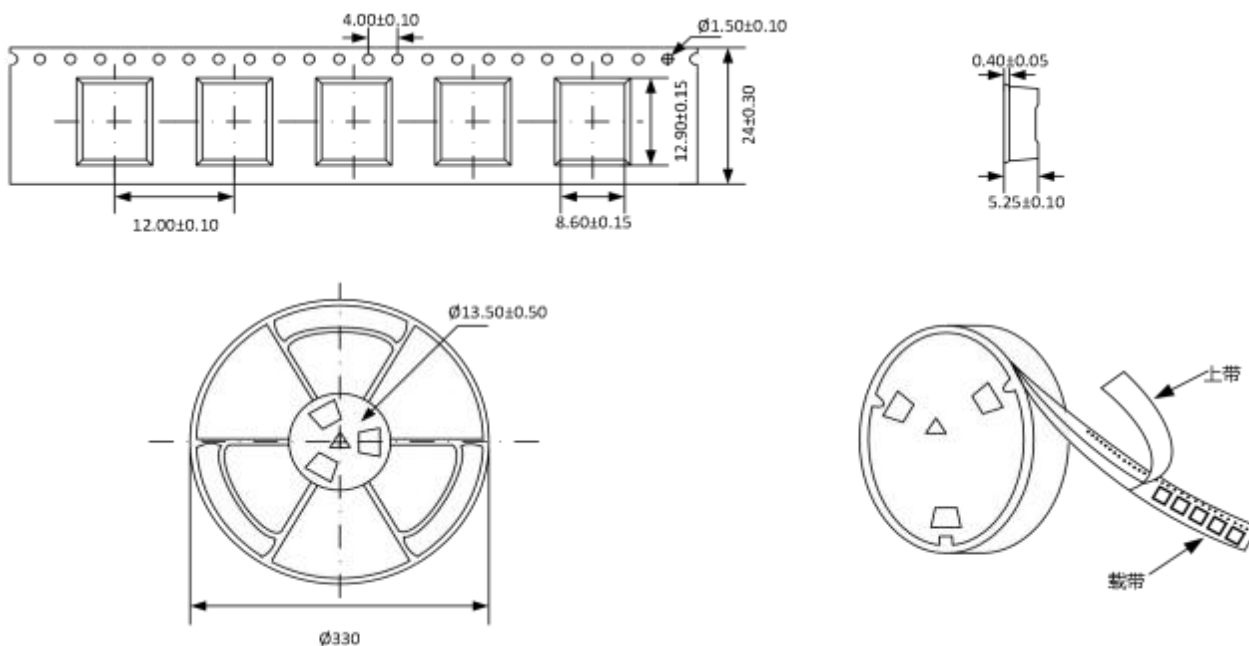


※unit: mm

4 Schematic (原理图)



5 packing (包装信息)



※unit: mm

※ Packaging quantity : 600pcs/roll 4800pcs/box

※ Outer box size: * L * * W * * H