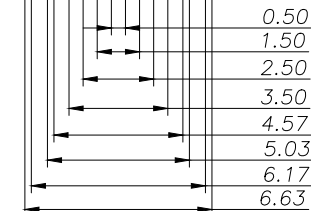
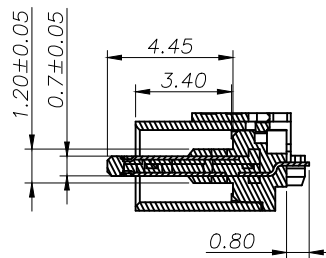
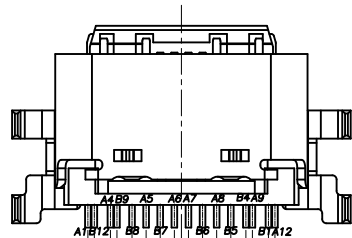
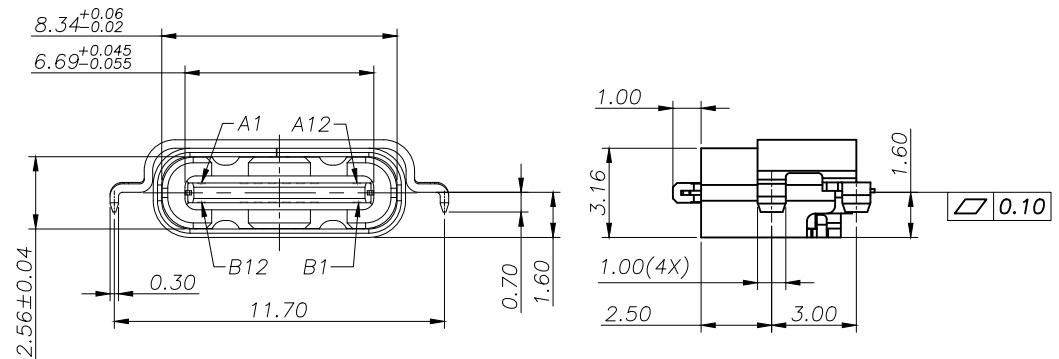
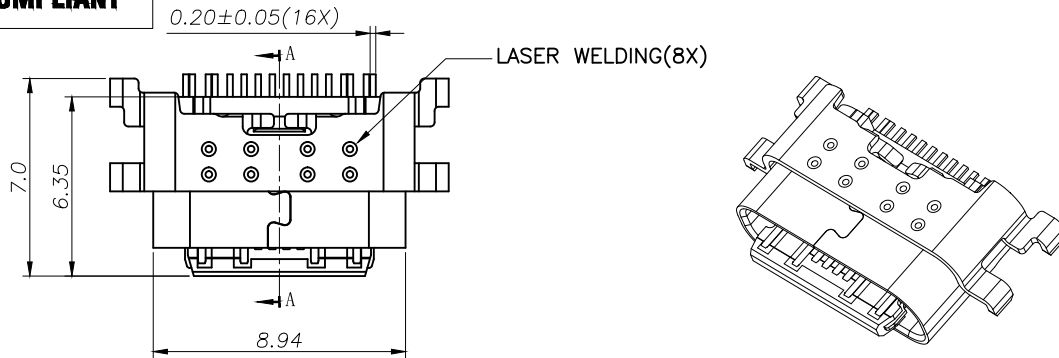




REV:	ECN. NO.	NAME	DATE
A0	----	---	04-03-2026



NOTE:

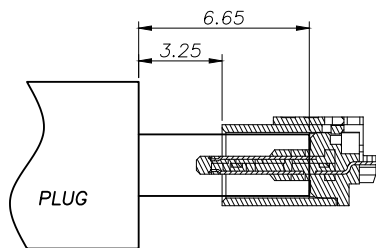
- MATERIAL SPECIFICATION:
 - HOUSING: HIGH TEMPERATURE RESISTANT PLASTIC, UL94 V-0. (PA9T)
 - TERMINAL: COPPER ALLOY (C18150)
 - MID PLATE: STAINLESS STEEL (SUS301)
 - INNER SHELL: STAINLESS STEEL (SUS304)
 - COVER SHELL: STAINLESS STEEL (SUS304)
- PLATING SPECIFICATION:
 - TERMINAL:
 - Ni 50u" MIN. UNDER PLATED OVER ALL.
 - Au PLATED ON THE FUNCTIONAL AREA OF CONTACT.
 - (GOLD PLATING THICKNESS FOLLOW THE P/N)
 - PLATING SPECIFICATIONS OF THE SOLDER AREA FOLLOW THE P/N
 - INNER SHELL & COVER SHELL:
 - Ni 30u" MIN. UNDER PLATED OVER ALL.
 - MID PLATE:
 - CLEAR ONLY
- MECHANICAL PERFORMANCE,
 - INSERTION FORCE: 0.5~2.0kgf.
 - REMOVAL FORCE: 0.8kgf~2.0kgf.
 - DURABILITY: 10000 CYCLES.
- ELECTRICAL PERFORMANCE,
 - VOLTAGE RATING: 5V
CURRENT RATING: 5A
 - LLCR:
 - VBUS & GND PINS AND OTHER PINS: 40mΩ/PIN MAX.
 - LLCR MAX. CHANGE OF ALL PINS: 10mΩ.
 - INSULATION RESISTANCE: 100MΩ MIN
 - DIELECTRIC WITHSTAND VOLTAGE, AC 100V FOR 1 MINUTE.
- ENVIRONMENTAL PERFORMANCE:
 - OPERATING TEMPERATURE: -25°C~+85°C.
- IR REFLOW:
 - THE PEAK TEMPERATURE ON THE BOARD SHALL BE MAINTAINED FOR 10 SECONDS AT 260°C.

TOLERANCE		VITALCON a vital connector company	FOR YOUR VITAL CONNECTION		
X.X ±0.30	X.° ±10°		TITLE:	USB CF 16PIN (L=7.0) SINK 1.6MM WITH COVER	
.XX ±0.20	.X° ±8°	DRAWN BY:	Zou Long	PART NO:	UC22-1E1H1A103-OHR-68
.XXX ±0.10	.XX° ±5°	CHECKED BY:	Bob	DWG NO:	D-UC22-1E1H1A103-OHR-68
APPROVED BY:		QPF	PROJECTION:		http://www.vitalconn.com
SHEET:		1 OF 3	REV:	A0	
SIZE:		A4	UNIT:	mm	
FCN:		F9			

For technical support, please send an email to support@vitalconn.com



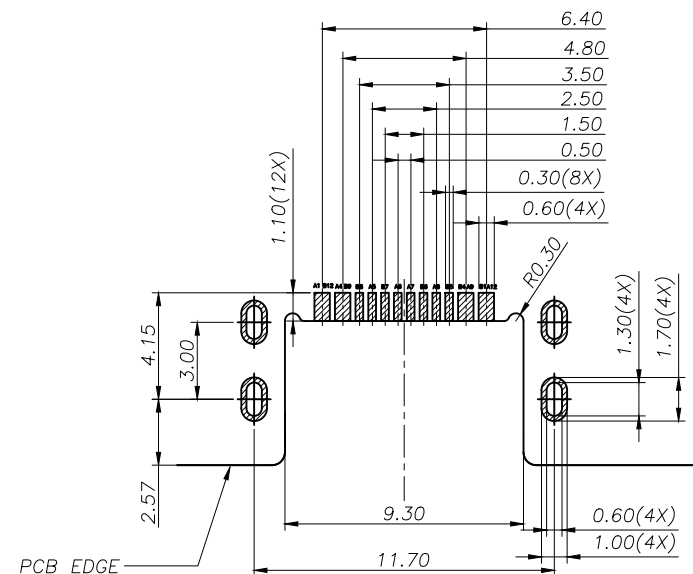
REV:	ECN. NO.	NAME	DATE
A0	----	---	04-03-2026



AFTER MATING

USB TYPE-C PIN ASSIGNMENTS

PIN NUMBER	SIGNAL NAME	PIN NUMBER	SIGNAL NAME
A1	GND	B12	GND
A4	VBUS	B9	VBUS
A5	CC1	B8	SBU2
A6	Dp1	B7	Dn2
A7	Dn1	B6	Dp2
A8	SBU1	B5	CC2
A9	VBUS	B4	VBUS
A12	GND	B1	GND



RECOMMENDED PCB LAYOUT(TOP VIEW)
THICKNESS 0.60MM;DEFAULT TOLERANCE:±0.05

ORDER INFORMTION

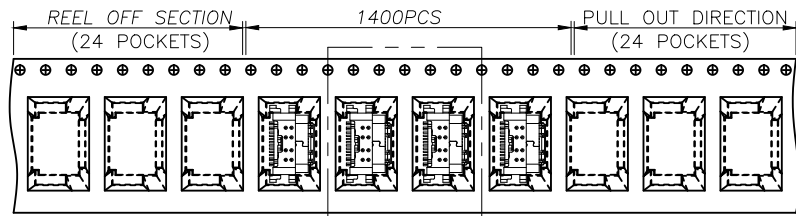
P/N: UC22-1E1H1A103-0HR-68	
HOUSING MATERIAL E: PA9T	H: HF
HOUSING COLOR 1: BLACK	CONTACT FUNCTIONAL AREA PLATED 01: Au 1u" 03: Au 3u" 15: Au 15u" 30: Au 30u"
SHELL MATERIAL H:SUS304	CONTACT SOLDER AREA PLATED 1: Au G/F
SHELL PLATING 1: Ni	CONTACT MATERIAL A: C18150

TOLERANCE X.X ±0.30 X.° ±10° .XX ±0.20 .X° ±8° .XXX ±0.10 .XX° ±5°		VITALCON a vital connector company		FOR YOUR VITAL CONNECTION		
TITLE: USB CF 16PIN (L=7.0) SINK 1.6MM WITH COVER						
DRAWN BY: Zou Long	PART NO: UC22-1E1H1A103-0HR-68	SHEET: 2 OF 3	REV: A0			
CHECKED BY: Bob	DWG NO: D-UC22-1E1H1A103-0HR-68	SIZE: A4	UNIT:mm	FCN: F9		
APPROVED BY: QPF	PROJECTION:	http://www.vitalconn.com				

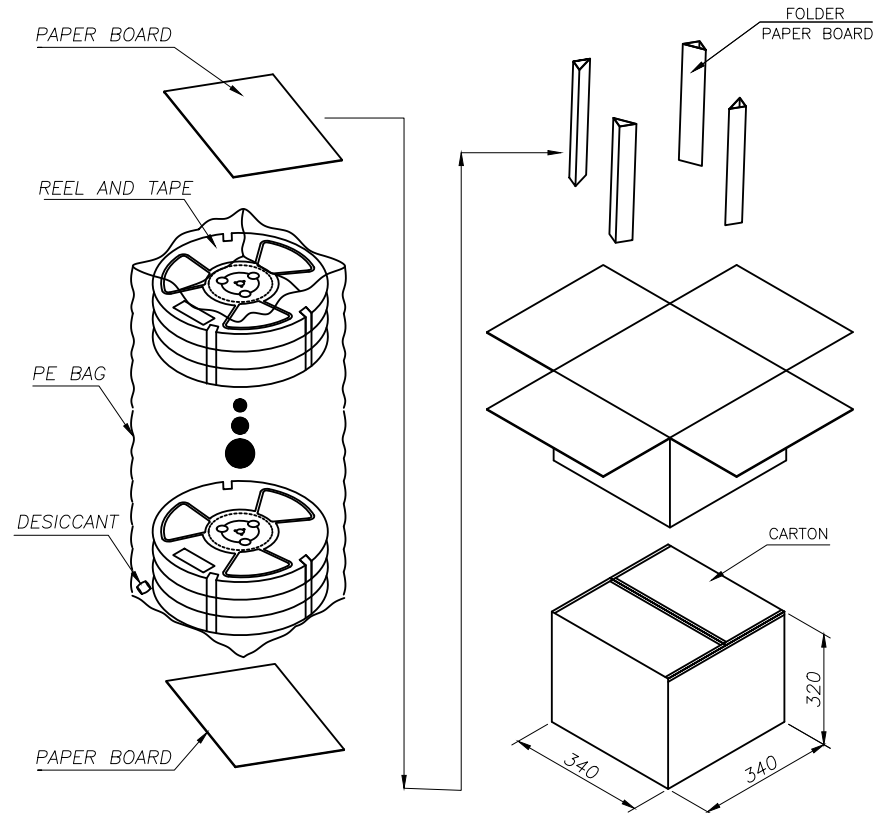
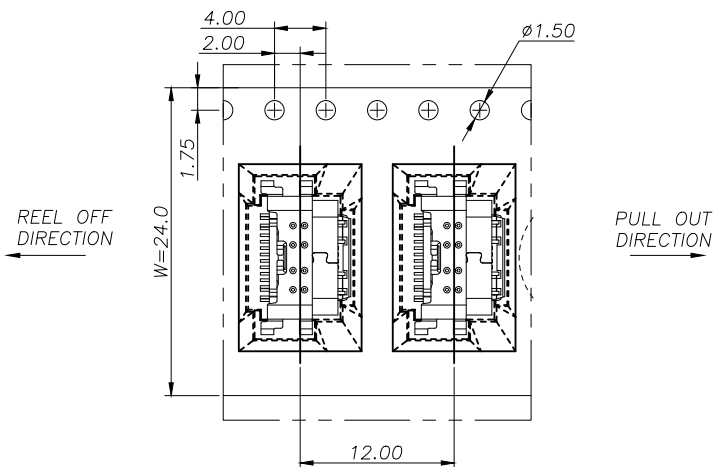
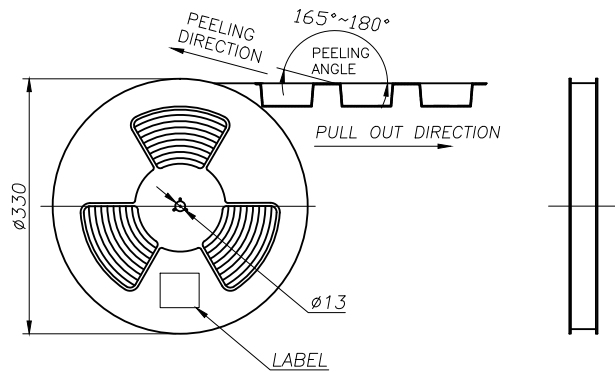
For technical support, please send an email to support@vitalconn.com



REV:	ECN. NO.	NAME	DATE
A0	----	---	04-03-2026



SEE DETAIL X



	REEL	CARTON
CONNECTOR (PCS)	1400	14000

TOLERANCE

X.X	±0.30	X.°	±10°
.XX	±0.20	.X°	±8°
.XXX	±0.10	.XX°	±5°



FOR YOUR VITAL CONNECTION

TITLE: USB CF 16PIN (L=7.0) SINK 1.6MM WITH COVER

DRAWN BY:	Zou Long	PART NO:	UC22-1E1H1A103-OHR-68	SHEET:	3 OF 3	REV:	A0
CHECKED BY:	Bob	DWG NO:	D-UC22-1E1H1A103-OHR-68	SIZE:	A4	UNIT:	mm
APPROVED BY:	QPF	PROJECTION:		http://www.vitalconn.com			

For technical support, please send an email to support@vitalconn.com