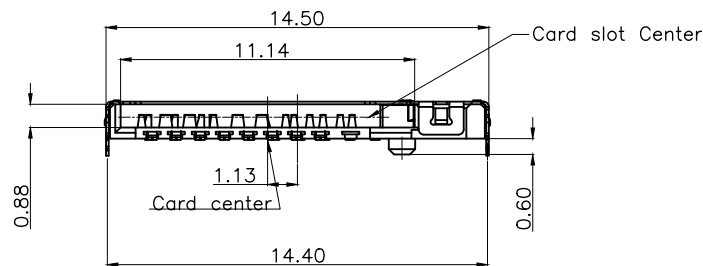
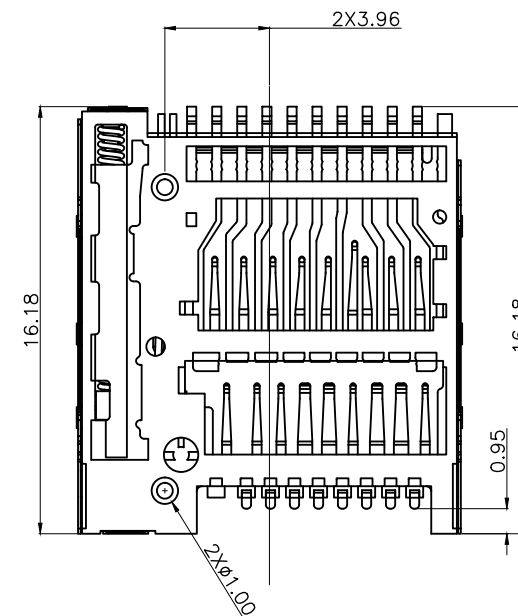
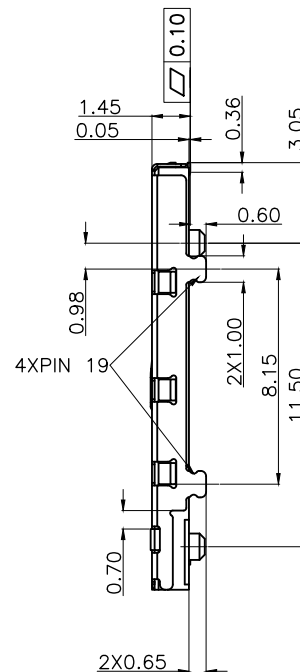
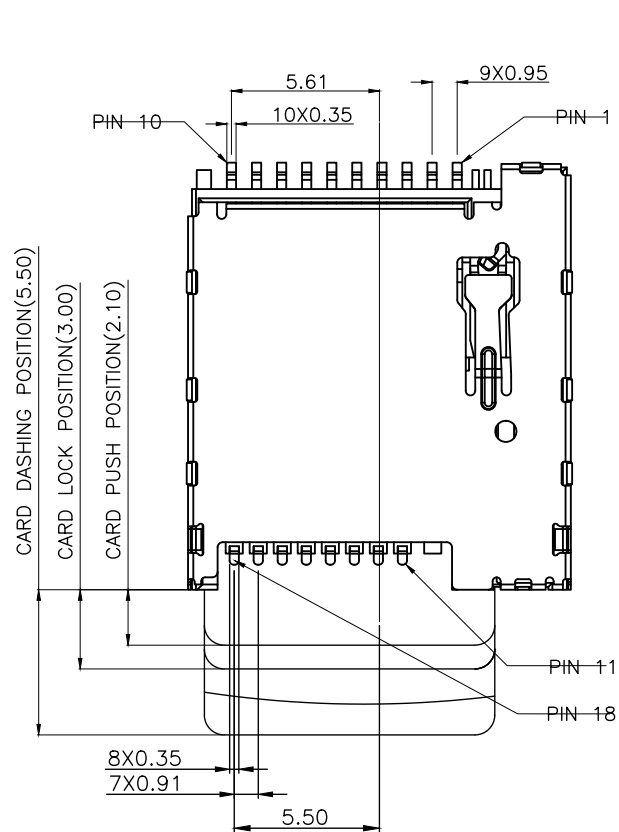




REV:	ECN. NO.	NAME	DATE
A0	-----	-----	04-07-2026



DIMENSIONS INIT: mm  
 UNLESS OTHERWISE SPECIFIABLE  
 DIMENSION TOLERANCE  
 X.X: ±0.35  
 X.XX: ±0.25  
 X.XXX: ±0.10  
 ANGULAR: ± 2°



FOR YOUR VITAL CONNECTION

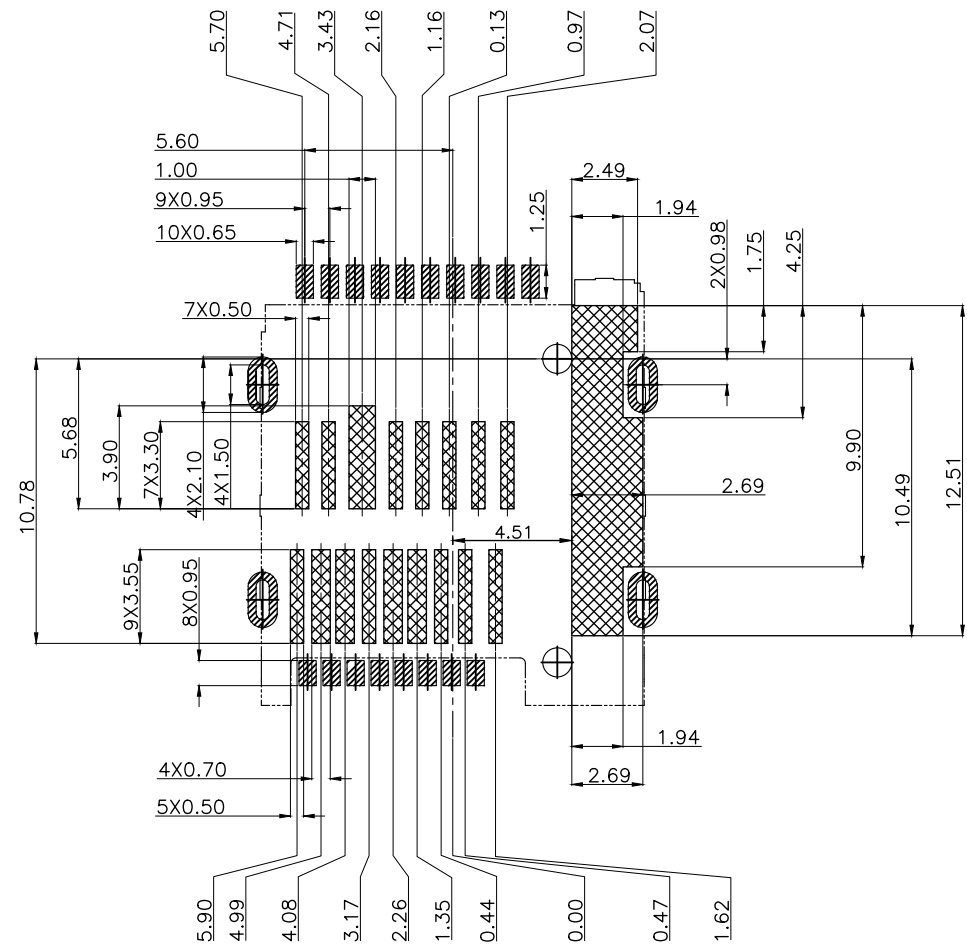
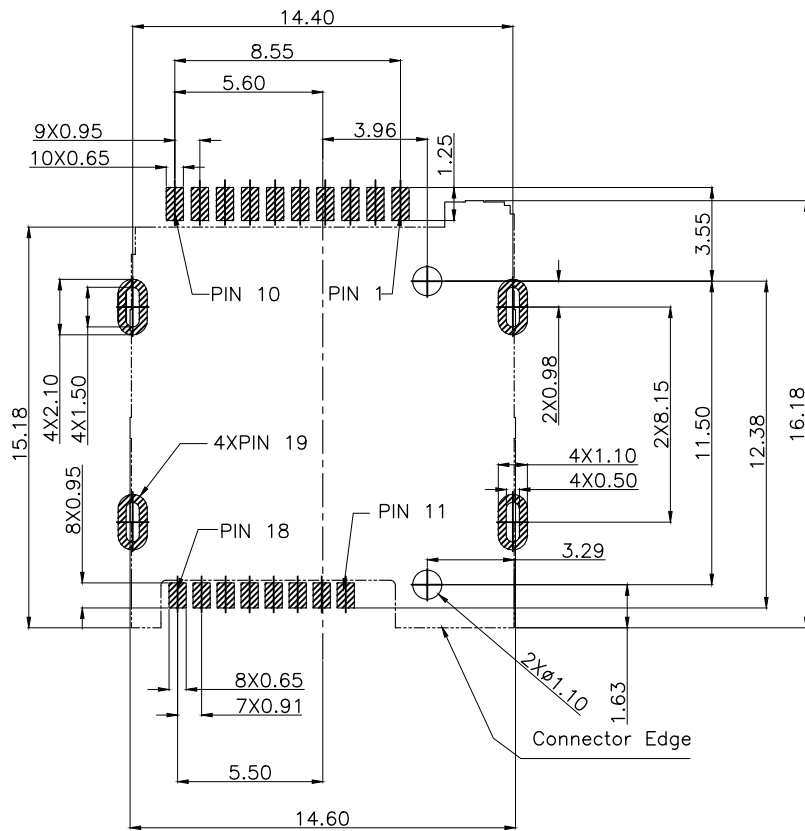
TITLE: Micro SD4.0 H1.45 P-P

DRAWN BY:	Zou Long	PART NO:	CD123014501E7	SHEET:	1 OF 5	REV:	A0
CHECKED BY:	Bob	DWG NO:	D-CD123014501E7	SIZE:	A4	UNIT:	mm
APPROVED BY:	QPF	PROJECTION:		http://www.vitalconn.com			

For technical support, please send an email to [support@vitalconn.com](mailto:support@vitalconn.com)



REV:	ECN. NO.	NAME	DATE
A0	----	-----	04-07-2026



PCB PATTERN LAYOUT  
(GENERAL TOLERANCE:±0.05)



PAD



No trace, No test point,  
No via hole, No ground area

For technical support, please send an email to [support@vitalconn.com](mailto:support@vitalconn.com)

DIMENSIONS INIT: mm  
UNLESS OTHERWISE SPECIFIABLE  
DIMENSION TOLERANCE  
X.X: ±0.35  
X.XX: ±0.25  
X.XXX: ±0.10  
ANGULAR: ± 2°



FOR YOUR  
VITAL CONNECTION

TITLE: Micro SD4.0 H1.45 P-P

DRAWN BY:	Zou Long	PART NO:	CD123014501E7	SHEET:	2 OF 5	REV:	A0
CHECKED BY:	Bob	DWG NO:	D-CD123014501E7	SIZE:	A4	UNIT:	mm
APPROVED BY:	QPF	PROJECTION:		<a href="http://www.vitalconn.com">http://www.vitalconn.com</a>			



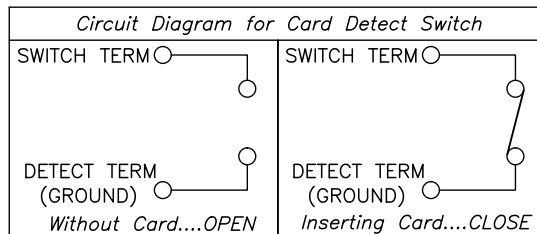
REV:	ECN. NO.	NAME	DATE
A0	-----	-----	04-07-2026

Pin Define

Connector PinNo.	MicroSD 4.0 Card Pin No.	Micro SD with UHS-II and SWIO support		
		Name	Type	Description
P1	P9	V <sub>DD2</sub>	S	Supply voltage(1.8V)
P2	P1	DAT2	I/O	Data Line[Bit 2]
P3	P2	CD/DAT3	I/O	Card Detect/Data Line[Bit 3]
P4	P3	CMD	I/O	Command/Response
P5	P4	V <sub>DD1</sub>	S	Supply voltage(3.3V)
P6	P5	CLK	I	Clock
P7		CD		
P8	P6	V <sub>SS</sub>	S	Supply voltage ground
P9	P7	DAT0/RCLK+	I/O	Data Line[Bit 0]/RCLK+
P10	P8	DAT1/RCLK-	I/O	Data Line[Bit 1]/RCLK-
P11	P17	SWIO	I	Single Wire Protocol Interface
P12	P10	V <sub>SS</sub>	S	Supply voltage ground
P13	P11	D0+	I/O	UHS-II D0+
P14	P12	D0-	I/O	UHS-II D0-
P15	P13	V <sub>SS</sub>	S	Supply voltage ground
P16	P14	D1-	I/O	UHS-II D1-
P17	P15	D1+	I/O	UHS-II D1+
P18	P16	V <sub>SS</sub>	S	Supply voltage ground
P19	GND		GROUND	

Specification

- \*Electrical Characteristics:  
 Contact Current Rating: 0.5 Amperes.  
 Dielectric Withstanding Voltage: AC500Vrms.  
 Insulation Resistance: 1000 MΩ Minimum.  
 Contact Resistance: 100 mΩ Maximum.
- \*Environmental:  
 Operating Temperature: -25°C~+85°C.
- \*Material:  
 Insulator: HI-Temp Plastic Black UL 94V-0 .  
 Contact: Copper Alloy.  
 Shell: Stainless Steel.
- \*PATING:  
 2-1.CONTACT:CONTACT AREA AU 1U".OVER NI 50U";  
 SOLDER TAIL AREA: MATTED TIN 100U"MIN, OVER NI 50".  
 2-2.SHELL:SOLDERABILITY OVER PLATING NI 30U" OVER ALL.



DIMENSIONS IN: mm	
UNLESS OTHERWISE SPECIFIABLE	
DIMENSION	TOLERANCE
X. X:	±0.35
X. XX:	±0.25
X. XXX:	±0.10
ANGULAR:	± 2°



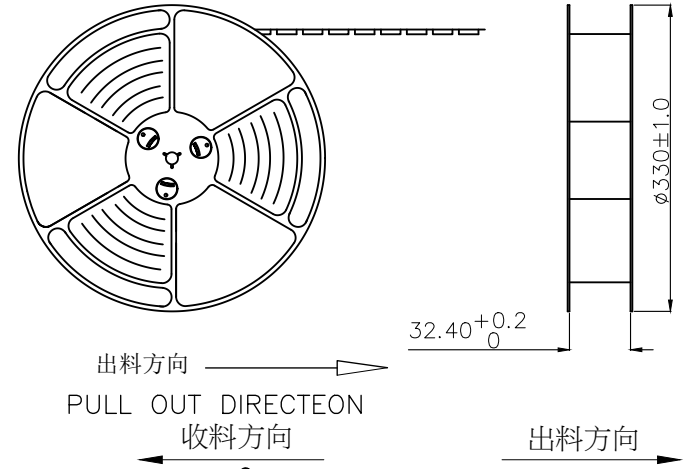
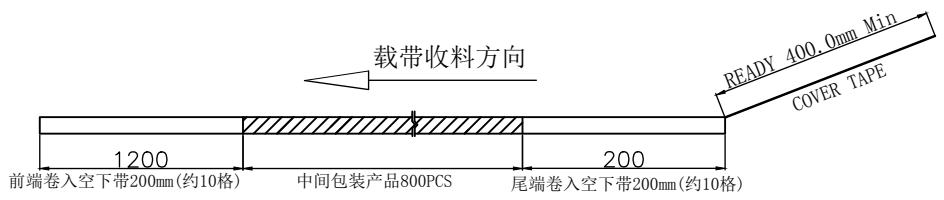
FOR YOUR VITAL CONNECTION

TITLE:	Micro SD4.0 H1.45 P-P		
DRAWN BY:	Zou Long	PART NO:	CD123014501E7
CHECKED BY:	Bob	DWG NO:	D-CD123014501E7
APPROVED BY:	QPF	PROJECTION:	http://www.vitalconn.com
SHEET:	3 OF 5	REV:	A0
SIZE:	A4	UNIT:	mm
FCN:	E7		

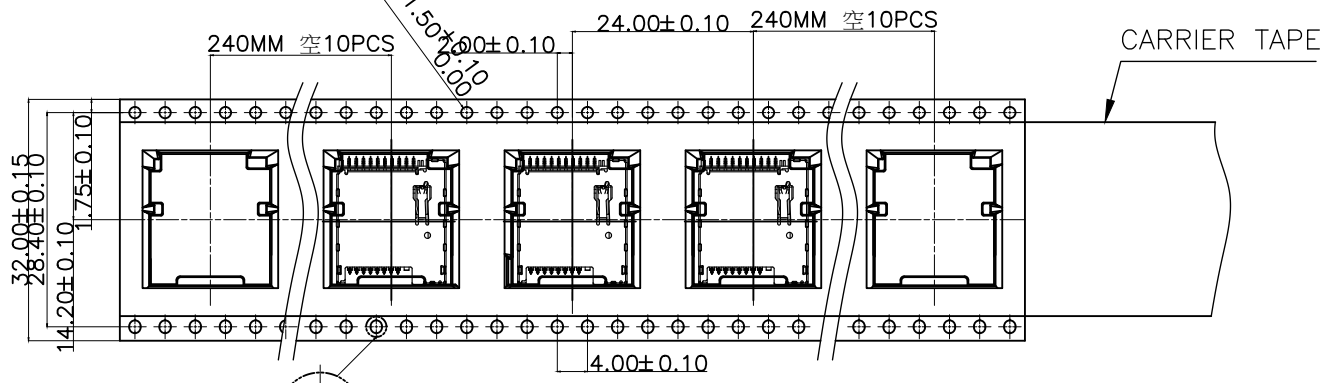
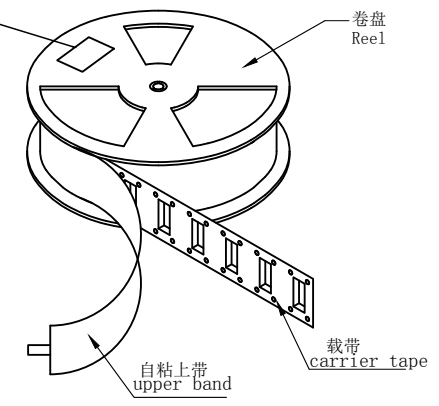
For technical support, please send an email to support@vitalconn.com



REV:	ECN. NO.	NAME	DATE
A0	----	-----	04-07-2026



标签粘贴处 (朝卷装包材小定位孔一侧)  
Location of label sticking (label at positioning hole of the carrier tape side).



DIMENSIONS INIT: mm  
UNLESS OTHERWISE SPECIFIABLE

DIMENSION	TOLERANCE
X.X:	$\pm 0.35$
X.XX:	$\pm 0.25$
X.XXX:	$\pm 0.10$
ANGULAR:	$\pm 2^\circ$



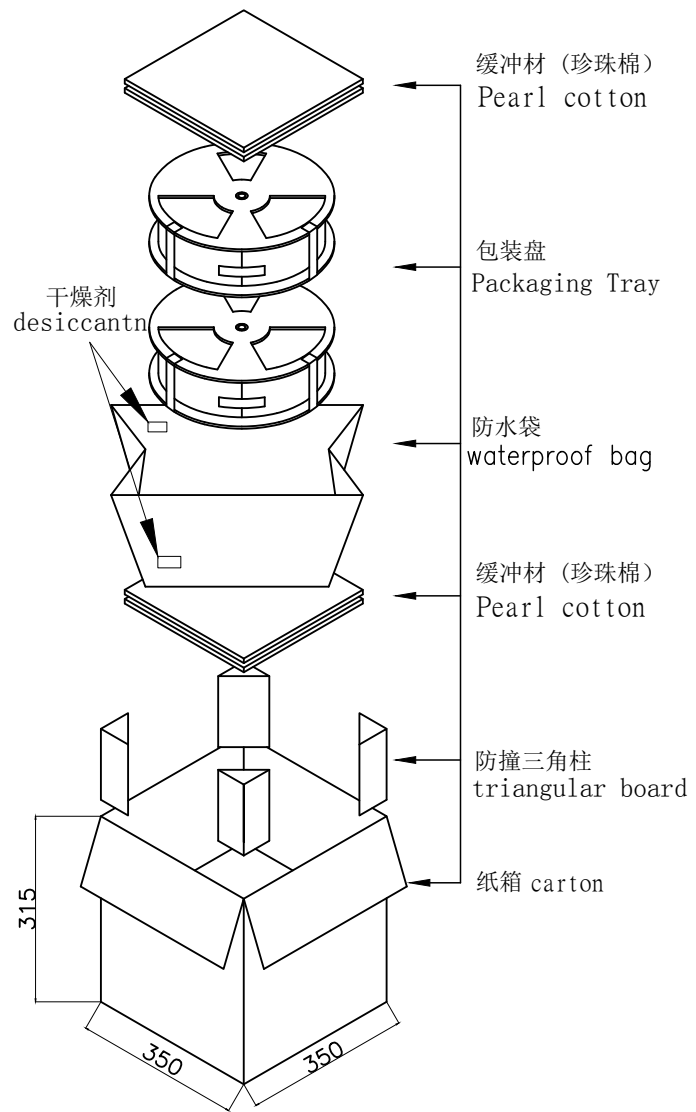
FOR YOUR VITAL CONNECTION

TITLE:	Micro SD4.0 H1.45 P-P								
DRAWN BY:	Zou Long	PART NO:	CD123014501E7	SHEET:	4 OF 5	REV:	A0		
CHECKED BY:	Bob	DWG NO:	D-CD123014501E7	SIZE:	A4	UNIT:	mm	FCN:	E7
APPROVED BY:	QPF	PROJECTION:		http://www.vitalconn.com					

For technical support, please send an email to [support@vitalconn.com](mailto:support@vitalconn.com)



REV:	ECN. NO.	NAME	DATE
A0	-----	-----	04-07-2026



10	干燥剂 (desiccant)	2PCS
9	三角纸板 (triangular board)	4PCS
8	珍珠棉 (Pearl cotton)	4PCS
7	纸箱 (carton)	1PCS
6	保护带 (bracer)	8PCS
5	自粘上带 (Cover tape)	21.0M*5
4	卷盘 (reel)	8PCS
3	PE防水袋 (waterproof bag)	1PCS
2	载带 (carrier tape)	8PCS
1	NANO SIM H1.4 CARD	6400PCS

- 备注:
- 每卷载带前端卷入空下带10PCS, 尾端卷入空下带10PCS.  
1. Each volume loading front into empty with 10 PCS, with 10PCS under the end in empty
  - 每卷载带包装800PCS 产品。  
2. Each volume loading packing 800 PCS products
  - 以自粘上带覆盖经包装机冷封包装。  
3. With adhesive on the belt cover after packing machine cold sealing packing
  - 以保护带覆盖于外圈再以胶带固定并粘贴卷盘标签 (标签位置可依客户要求)  
4. Covered with safety belt in the outer ring, Then mounted label with adhesive tape (Location can be in accordance with the customer)
  - 将5卷包装好的产品放入PE防水袋, 防水袋的上下各放置2PCS珍珠棉, 以胶带固定PE防水袋。  
5. Will 5 products in a waterproof bag. The upper place 2 PCS pearl cotton, Adhesive plaster waterproof PE bag
  - 将包装好的5卷产品放入纸箱, 四周用三角压线条固定; 外箱用胶带呈“工”字形封口。  
6. The packaged products 5 rolls into the cartons, All round with triangle board, Outside the box sealed with adhesive tape.
  - 外箱标签的贴法请参照客户资料。  
7. Carton label reference customer data.

DIMENSIONS UNIT: mm	
UNLESS OTHERWISE SPECIFIABLE	
DIMENSION	TOLERANCE
X. X:	±0.35
X. XX:	±0.25
X. XXX:	±0.10
ANGULAR:	± 2°



FOR YOUR VITAL CONNECTION

TITLE:	Micro SD4.0 H1.45 P-P								
DRAWN BY:	Zou Long	PART NO:	CD123014501E7	SHEET:	5 OF 5	REV:	A0		
CHECKED BY:	Bob	DWG NO:	D-CD123014501E7	SIZE:	A4	UNIT:	mm	FCN:	E7
APPROVED BY:	QPF	PROJECTION:		http://www.vitalconn.com					

For technical support, please send an email to support@vitalconn.com