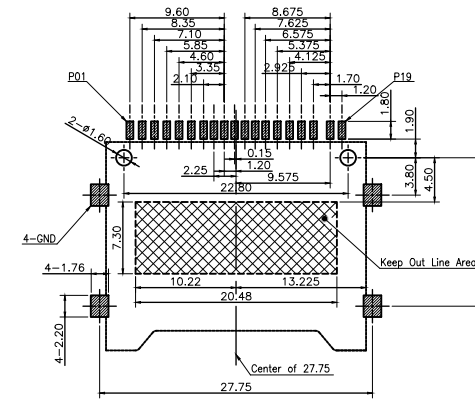
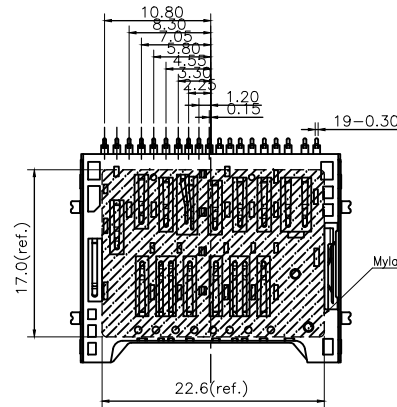
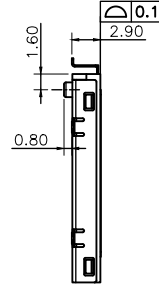
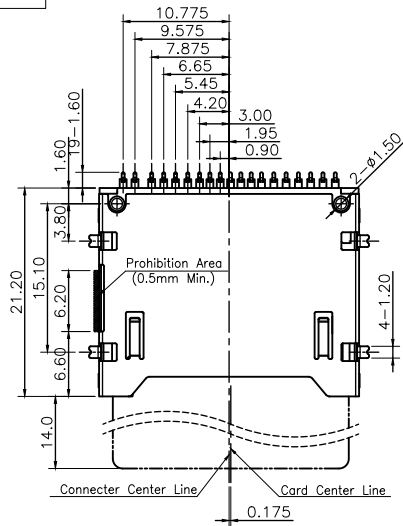
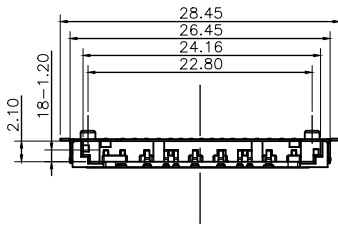




REV:	ECN. NO.	NAME	DATE
A0	----	-----	04-07-2026



Recommended PCB Layout
Top View (Tolerance 0.05)



Card Uninsertion	
Card Write Protect insertion	
Card Normal insertion	

Note:

- Material:
 - 1-1. Plastic: LCP, S475, Black, UL94V-0
 - 1-2. Contact: C5210-H
 - 1-3. Shell: SUS304-H
- Plating:
 - 2-1. Contact:
 - Contact Area: Au 1μ" min. Plating
 - Over Ni 50μ" min.
 - Soldertail: Matte Tin 100μ" min. Plating
 - Over Ni 50μ" min.
 - 2-2. Shell:
 - Solderability Ni 50μ" min. Over All
- Contact And Tail Coplanarity To Be 0.10mm max.

Pin Assignment

Pin#	Name	Description	Pin#	Name	Description
P01	VSS3	Supply Voltage Ground	P11	VDD1	Supply Voltage (3.3V)
P02	DAT2	Data Line [Bit 2]	P12	D1-	Differential Data 1-
P03	DO+	Differential Data 0+	P13	CLK	Clock
P04	CD/DAT3	Card Detect/Data Line [Bit 3]	P14	D1+	Differential Data 1+
P05	DO-	Differential Data 0-	P15	VSS2	Supply Voltage Ground
P06	CMD	Command/Response	P16	VSS5	Supply Voltage Ground
P07	CD	Card Detect	P17	DAT0	Data Line [Bit 0]
P08	VSS1	Supply Voltage Ground	P18	DAT1	Data Line [Bit 1]
P09	VSS4	Supply Voltage Ground	P19	WP	Write Protect
P10	VDD2	Supply Voltage (1.8V)			

DIMENSIONS IN: mm
UNLESS OTHERWISE SPECIFIABLE
DIMENSION TOLERANCE
X.X: ±0.35
X.XX: ±0.25
X.XXX: ±0.10
ANGULAR: ±2°



FOR YOUR
VITAL CONNECTION

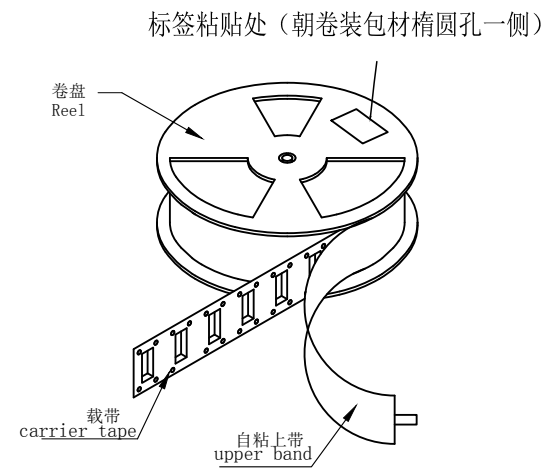
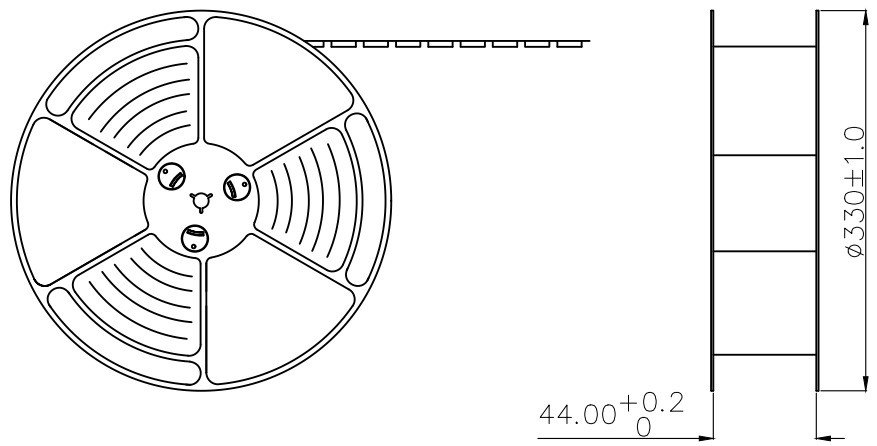
TITLE: SD 4.0 Bttm Non Push H=2.9mm

DRAWN BY:	Zou Long	PART NO:	CT125029001E7	SHEET:	1 OF 3	REV:	A0
CHECKED BY:	Bob	DWG NO:	D-CT125029001E7	SIZE:	A4	UNIT:	mm
APPROVED BY:	QPF	PROJECTION:		http://www.vitalconn.com			

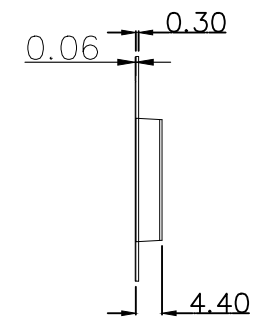
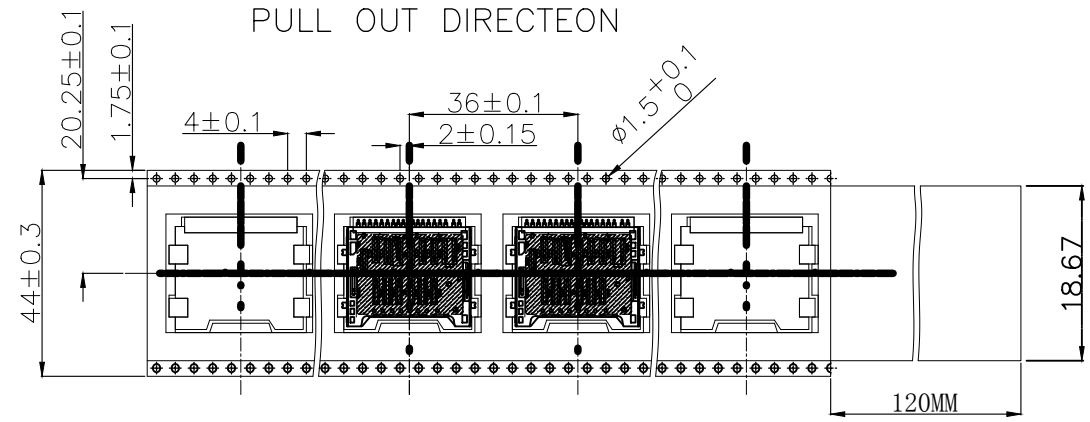
For technical support, please send an email to support@vitalconn.com



REV:	ECN. NO.	NAME	DATE
A0	----	-----	04-07-2026



出料方向
PULL OUT DIRECTEON



DIMENSIONS INIT: mm
UNLESS OTHERWISE SPECIFIABLE
DIMENSION TOLERANCE
X.X: ±0.35
X.XX: ±0.25
X.XXX: ±0.10
ANGULAR: ± 2°



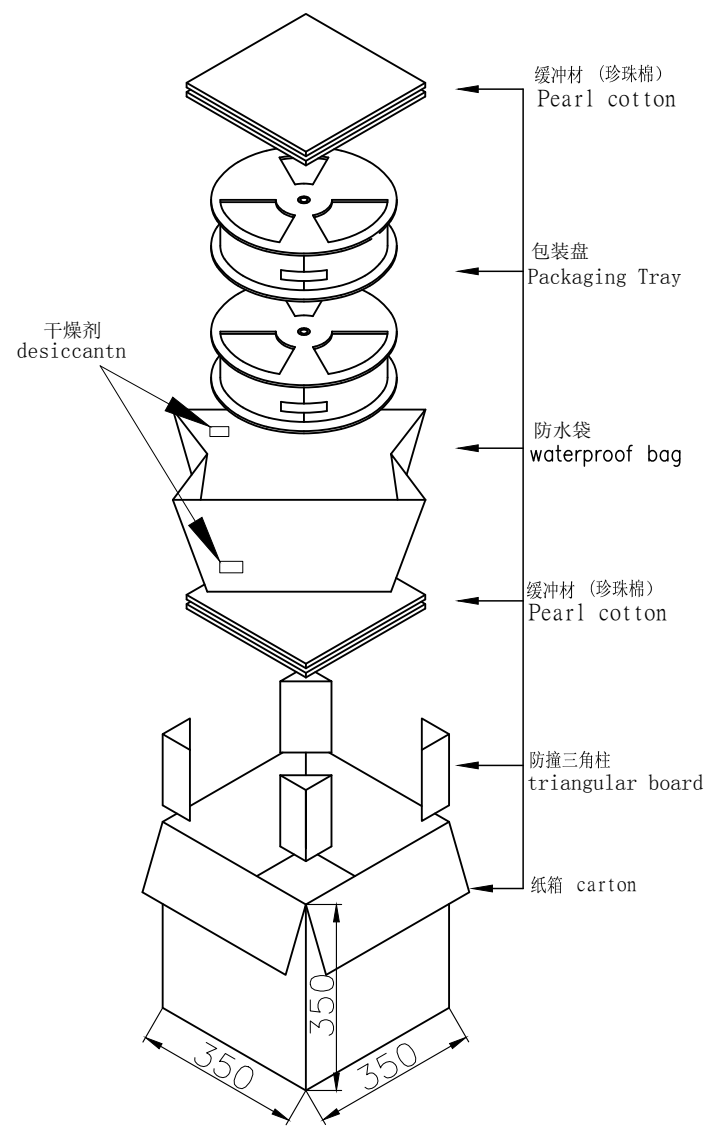
FOR YOUR VITAL CONNECTION

TITLE:	SD 4.0 Bottom Non Push H=2.9mm								
DRAWN BY:	Zou Long	PART NO:	CT125029001E7	SHEET:	2 OF 3	REV:	A0		
CHECKED BY:	Bob	DWG NO:	D-CT125029001E7	SIZE:	A4	UNIT:	mm	FCN:	E7
APPROVED BY:	QPF	PROJECTION:		http://www.vitalconn.com					

For technical support, please send an email to support@vitalconn.com



REV:	ECN. NO.	NAME	DATE
A0	-----	-----	04-07-2026



10	干燥剂 (desiccant)	2PCS
9	三角纸板 (triangular board)	4PCS
8	珍珠棉 (Pearl cotton)	2PCS
7	纸箱 (carton)	1PCS
6	保护带 (bracer)	6PCS
5	自粘上带 (Cover tape)	11.568M*6
4	卷盘 (reel)	6PCS
3	PE防水袋 (waterproof bag)	1PCS
2	载带 (carrier tape)	11.448M*6
1	SD4.0 2.90H	1800PCS

- 备注:
1. 每卷载带前 (外圈) 留8PCS空格后 (内圈) 留10PCS空格.
 2. 每卷载带包装300PCS 产品.
 3. 以自粘上带覆盖经包装机冷封包装.
 4. 以保护带覆盖于外圈再以胶带固定并粘贴卷盘标签 (标签位置可依客户要求)
 5. 将6卷包装好的产品放入PE防水袋, 防水袋的上下各放置1PCS珍珠棉, 以胶带固定PE防水袋.
 6. 将包装好的6卷产品放入纸箱, 四周用三角纸板固定; 外箱用胶带呈“工”字形封口.
 7. 外箱标签的贴法请参照客户资料.
 8. 零件必须符合TAISOL HF WD-3-I-091规范.

DIMENSIONS IN: mm	
UNLESS OTHERWISE SPECIFIABLE	
DIMENSION	TOLERANCE
X. X:	±0.35
X. XX:	±0.25
X. XXX:	±0.10
ANGULAR:	± 2°



FOR YOUR VITAL CONNECTION

TITLE:	SD 4.0 Botton Non Push H=2.9mm								
DRAWN BY:	Zou Long	PART NO:	CT125029001E7	SHEET:	3 OF 3	REV:	A0		
CHECKED BY:	Bob	DWG NO:	D-CT125029001E7	SIZE:	A4	UNIT:	mm	FCN:	E7
APPROVED BY:	QPF	PROJECTION:		http://www.vitalconn.com					

For technical support, please send an email to support@vitalconn.com