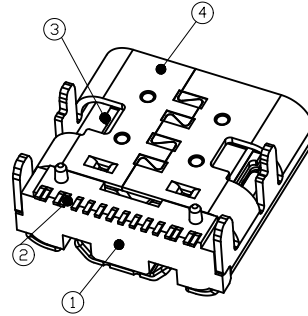
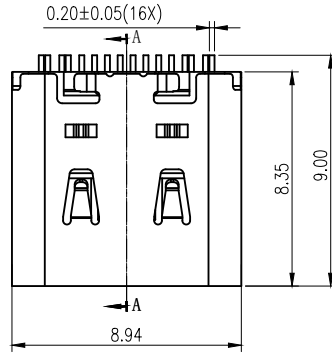


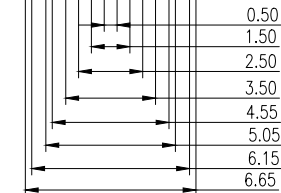
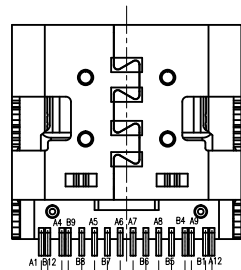
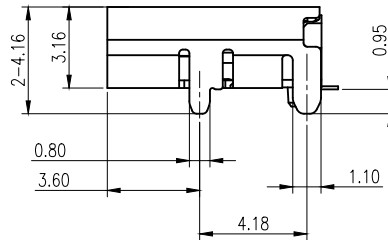
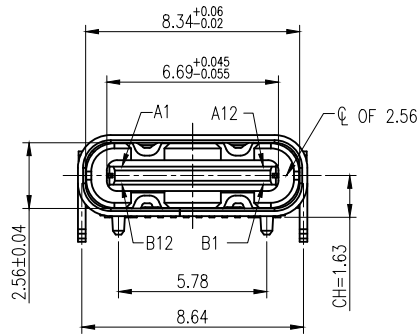


REV:	ECN. NO.	NAME	DATE
A0	-----	-----	04-03-2026



NOTE:

- MATERIAL SPECIFICATION:
 - HOUSING: HIGH TEMPERATURE RESISTANT PLASTIC, UL94 V-0.
 - TERMINAL: COPPER ALLOY (C18150)
 - MID PLATE: STAINLESS STEEL (SUS301)
 - FRONT SHELL: STAINLESS STEEL (SUS304)
- PLATING SPECIFICATION:
 - TERMINAL:
 - Ni 50u" MIN. UNDER PLATED OVER ALL.
 - Au PLATED ON THE FUNCTIONAL AREA OF CONTACT. (GOLD PLATING THICKNESS FOLLOW THE P/N)
 - PLATING SPECIFICATIONS OF THE SOLDER AREA FOLLOW THE P/N
 - FRONT SHELL:
 - Ni 30u" MIN. UNDER PLATED OVER ALL.
 - MID PLATE PLATE:
 - CLEAR ONLY
- MECHANICAL PERFORMANCE,
 - INSERTION FORCE: 0.5~2.0kgf.
 - REMOVAL FORCE: 0.8kgf~2.0kgf.
 - DURABILITY: 10000 CYCLES.
- ELECTRICAL PERFORMANCE,
 - VOLTAGE RATING: 5V.
CURRENT RATING: 5A.
 - LLCR:
 - VBUS & GND PINS AND OTHER PINS: 40mΩ/PIN MAX.
 - LLCR MAX. CHANGE OF ALL PINS: 10mΩ.
 - INSULATION RESISTANCE: 100MΩ MIN
 - DIELECTRIC WITHSTAND VOLTAGE, AC 100V FOR 1 MINUTE.
- ENVIRONMENTAL PERFORMANCE:
 - OPERATING TEMPERATURE: -25°C~+85°C.
- IR REFLOW:
 - THE PEAK TEMPERATURE ON THE BOARD SHALL BE MAINTAINED FOR 10 SECONDS AT 260°C.



TOLERANCE

± 0.05 mm
 ± 0.02 mm
 ± 0.01 mm
 ± 0.005 mm



FOR YOUR VITAL CONNECTION

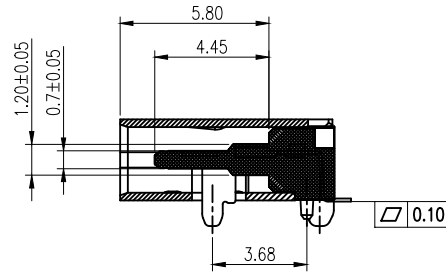
TITLE: USB CF 16PIN (L=8.35) WITH POST

DRAWN BY:	Zou Long	PART NO:	UC22-9E1H1A101-0HR-16	SHEET:	1 OF 3	REV:	A0
CHECKED BY:	Bob	DWG NO:	D-UC22-9E1H1A101-0HR-16	SIZE:	A4	UNIT:	mm
APPROVED BY:	QPF	PROJECTION:		http://www.vitalconn.com			

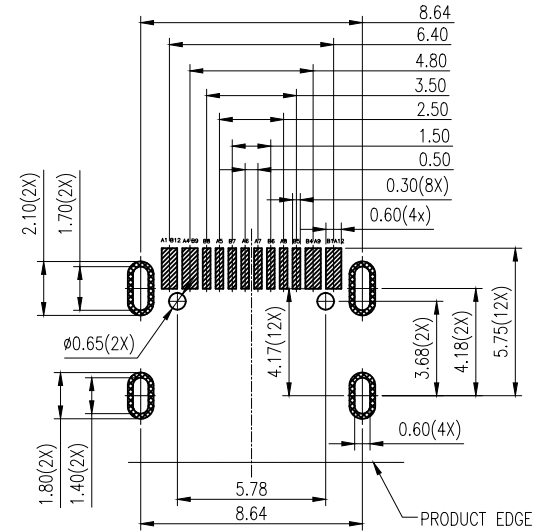
For technical support, please send an email to support@vitalconn.com



REV:	ECN. NO.	NAME	DATE
A0	-----	-----	04-03-2026



SECTION:A-A



RECOMMENDED PCB LAYOUT (TOP VIEW)

THICKNESS 1.00MM; DEFAULT TOLERANCE: ±0.05

USB TYPE-C PIN ASSIGNMENTS

PIN NUMBER	SIGNAL NAME	PIN NUMBER	SIGNAL NAME
A1	GND	B12	GND
A4	VBUS	B9	VBUS
A5	CC1	B8	SBU2
A6	Dp1	B7	Dn2
A7	Dn1	B6	Dp2
A8	SBU1	B5	CC2
A9	VBUS	B4	VBUS
A12	GND	B1	GND

ORDER INFORMTION

P/N: UC22-9E1H1A101-0HR-16	H: HF
HOUSING MATERIAL E: PA9T	CONTACT FUNCTIONAL AREA PLATED 01: Au 1u" 03: Au 3u" 15: Au 15u" 30: Au 30u"
HOUSING COLOR 1: BLACK	CONTACT SOLDER AREA PLATED 1: Au G/F
SHELL MATERIAL H:SUS304	CONTACT METRIAL A: C18150
SHELL PLATING 1: Ni	

TOLERANCE

$\begin{matrix} \text{Y} & \text{E} & \text{M} & \text{M} & \text{E} & \text{E} \\ \text{E} & \text{Y} & \text{M} & \text{M} & \text{E} & \text{E} \\ \text{E} & \text{Y} & \text{Y} & \text{A} & \text{E} & \text{E} \end{matrix}$
 $\begin{matrix} \text{Y} & \text{E} & \text{M} & \text{M} & \text{E} & \text{E} \\ \text{E} & \text{Y} & \text{M} & \text{M} & \text{A} & \text{A} \\ \text{E} & \text{Y} & \text{Y} & \text{A} & \text{A} & \text{A} \end{matrix}$



FOR YOUR VITAL CONNECTION

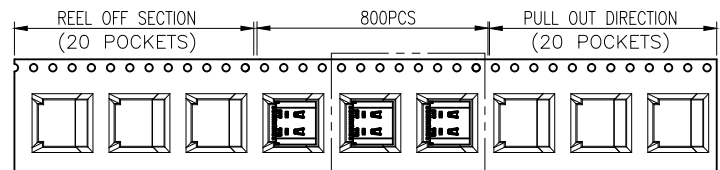
TITLE: USB CF 16PIN (L=8.35) WITH POST

DRAWN BY:	Zou Long	PART NO:	UC22-9E1H1A101-0HR-16	SHEET:	2 OF 3	REV:	A0		
CHECKED BY:	Bob	DWG NO:	D-UC22-9E1H1A101-0HR-16	SIZE:	A4	UNIT:	mm	FCN:	F9
APPROVED BY:	QPF	PROJECTION:		http://www.vitalconn.com					

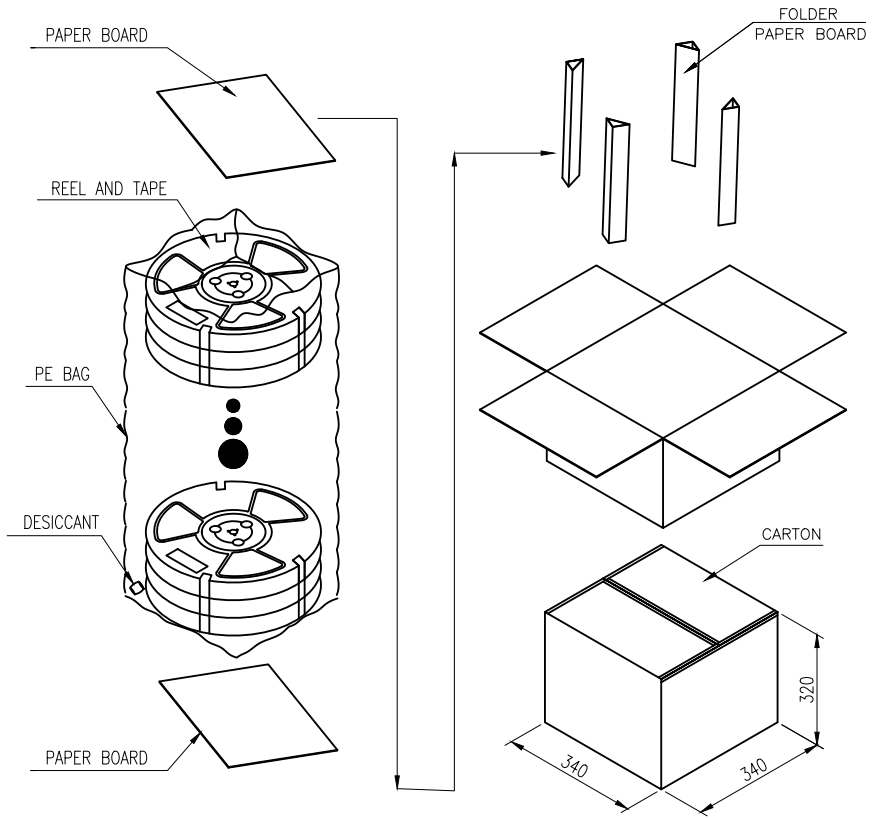
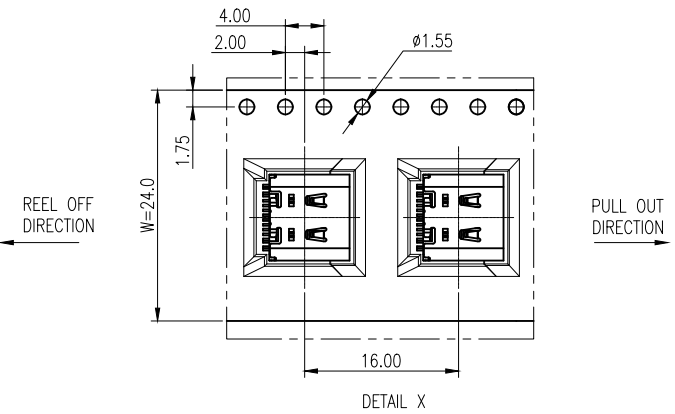
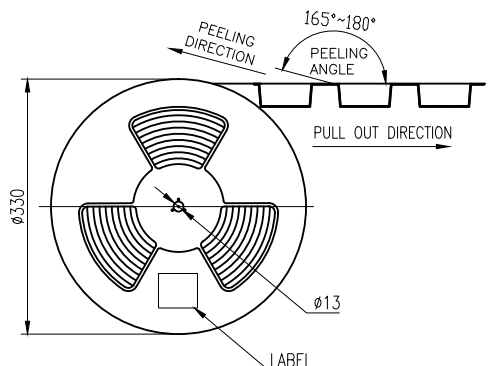
For technical support, please send an email to support@vitalconn.com



7		8	
REV:	ECN. NO.	NAME	DATE
A0	----	-----	04-03-2026



SEE DETAIL X



TOLERANCE		VITALCONN REEL		FOR YOUR CARTON	
ÝËÄÄÄÄÄÄ	ÝËÄÄÄÄÄÄ	CONNECTOR (PCS)	800	VITAL CONNECTION	
ËËËËËËËË	ËËËËËËËË	TITLE: USB CF 16PIN (L=8.35) WITH POST			
ËËËËËËËË	ËËËËËËËË	DRAWN BY:	Zou Long	PART NO:	UC22-9E1H1A101-0HR-16
		CHECKED BY:	Bob	DWG NO:	D-UC22-9E1H1A101-0HR-16
		APPROVED BY:	QPF	PROJECTION:	http://www.vitalconn.com
				SHEET:	3 OF 3
				SIZE:	A4
				UNIT:	mm
				FCN:	F9

For technical support, please send an email to support@vitalconn.com