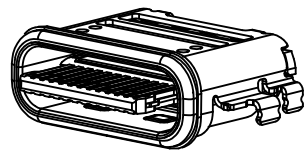
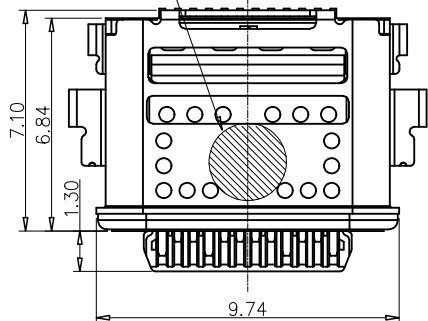
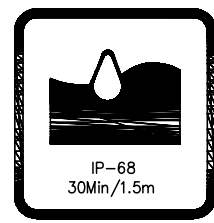
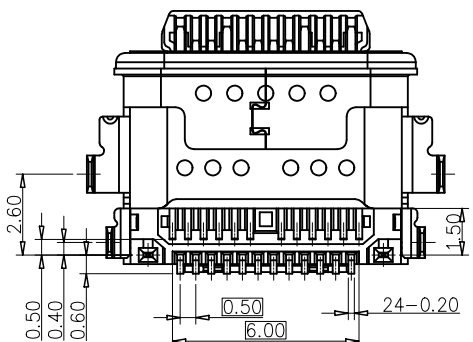
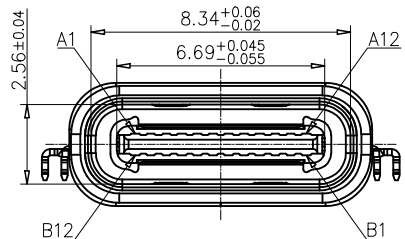
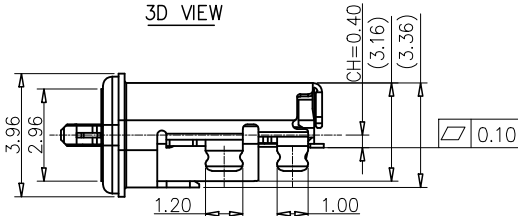




(Ø2.50)Pick an place

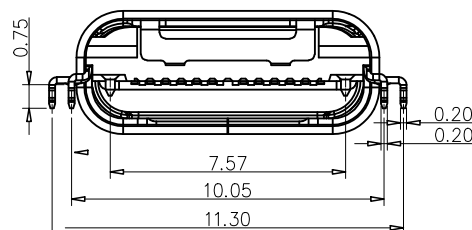


3D VIEW



料号说明: UC3114802-NE1

电镀规格:
31:功能区镀金1u"Min
32:功能区镀金3u"Min
36:功能区镀金15u"Min
37:功能区镀金30u"Min



- NOTES:
- 1.FINISH:
 - 1-1 CONTACT:PLATING ON CONTACT AREA SEE DESCRIPTION; G/F ON SOLDER TAIL;Ni ALL OVER.
 - 1-2 OUT SHELL: Ni 30u" Min. UNDER PLATED OVER ALL.
 - 1-3 EMC:CLEAN.
 - 1-4 INNER SHELL:CLEAN.
 - 1-5 MID PLATE:Ni 30u" Min. UNDER PLATED OVER ALL.
 - 2.ELECTRICAL:
 - 2-1.CURRENT RATING: 5.0A Max.
 - 2-2.INSULATION RESISTANCE:100 MEGAOHMS Min.
 - 2-3.DIELECTRIC WITHSTANDING VOLTAGE:100VAC Min.
 - 2-4.LOW LEVEL CONTACT RESISTANCE: INITIAL 40mΩ Max.,AFTER 50mΩ Max.
 - 3.MECHANICAL CHARACTERISTICS:
 - 3-1.INSERTION FORCE:~5~20N
 - 3-2.EXTRACTION FORCE: 8~20N(INITIAL);6~20N(AFTER TEST)
 - 3-3.DURABILITY:10000 CYCLES.
 - 4.IR REFLOW: THE PEAK TEMPERATURE ON THE BOARD SHALL BE MAINTAINED FOR 10 SECONDS AT 260°C.

| MILLIMETERS | INCH |
|-------------|-------------|
| X.° ±2° | X.° ±2° |
| .X ±0.30 | .X ±0.012 |
| .XX ±0.20 | .XX ±0.008 |
| .XXX ±0.10 | .XXX ±0.004 |



FOR YOUR VITAL CONNECTION

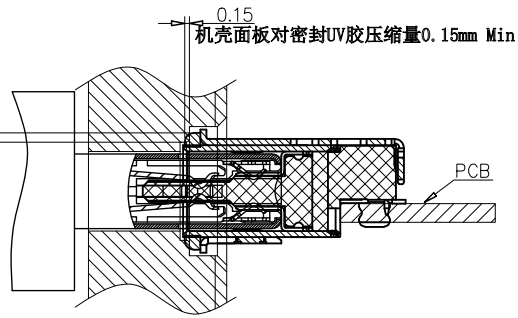
| | | | | | | | | | |
|--------------|-----------------------------------|-------------|---------------|--------|---|-------|----|------|----|
| TITLE: | USB TYPE-CF24PIN 沉板防水IP68 CH=0.40 | | | | | | | | |
| DRAWN BY: | Zou Long | PART NO: | UC3114802-NE1 | SHEET: | 1 OF 3 | REV: | A0 | | |
| CHECKED BY: | Bob | DWG NO: | VTC-TZ-00147 | SIZE: | A4 | UNIT: | mm | FCN: | E1 |
| APPROVED BY: | QPF | PROJECTION: | | | http://www.vitalconn.com | | | | |

For technical support, please send an email to support@vitalconn.com

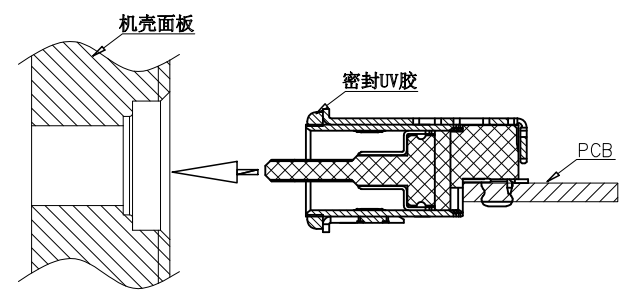


| | | | |
|------|----------|-------|------------|
| REV: | ECN. NO. | NAME | DATE |
| A0 | ---- | ----- | 04-29-2026 |

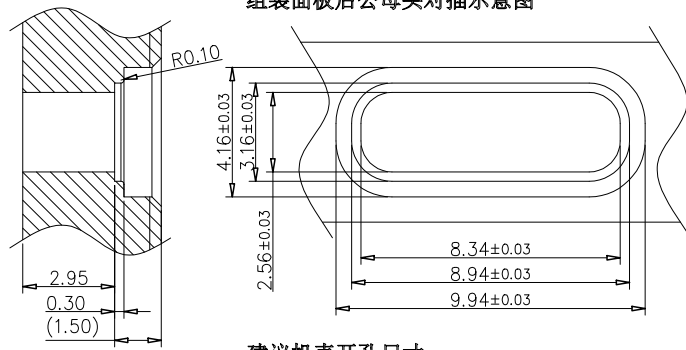
机壳面板对密封UV胶压缩量0.30mm Min



机壳面板对密封UV胶压缩量0.15mm Min

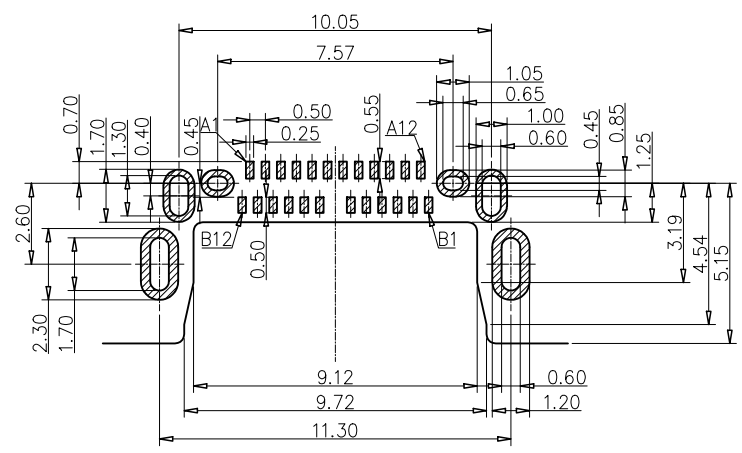


组装面板后公母头对插示意图



建议机壳开孔尺寸

前后组装方式



RECOMMENDED P.C.B. LAYOUT
TOLERANCE UNSPECIFIED ±0.05mm

| 9 | GLUE | 1 | 环氧胶、黑色 |
|------|-------------------|------|----------------------------------|
| 8 | OUTER GASKET | 1 | UV胶、红色 |
| 7 | SMALL SHELL (EMC) | 1 | SUS316L |
| 6 | MAIN SHELL | 1 | SUS316L |
| 5 | OUTOP SHELL | 1 | SUS304 |
| 4 | MID PLATE | 1 | SUS301 |
| 3 | BOTTOM TERMINAL | 1 | C18400 |
| 2 | TOP TERMINAL | 1 | C18400 |
| 1 | MOLDING HOUSING | 1 | High-temperature materials 94V-0 |
| ITEM | DESCRIPTION | Q'TY | MATERIAL |

PIN ASSINGMENT

| | | | | | | | | | | | |
|-----|--------|--------|------|------|-----|-----|------|------|--------|--------|-----|
| A1 | A2 | A3 | A4 | A5 | A6 | A7 | A8 | A9 | A10 | A11 | A12 |
| GND | SSTXp1 | SSTXn1 | VBUS | CC1 | Dp1 | Dn1 | SBU1 | VBUS | SSRXn2 | SSRXp2 | GND |
| GND | SSRXp1 | SSRXn1 | VBUS | SBU2 | Dn2 | Dp2 | CC2 | VBUS | SSTXn2 | SSTXp2 | GND |
| B12 | B11 | B10 | B9 | B8 | B7 | B6 | B5 | B4 | B3 | B2 | B1 |

For technical support, please send an email to support@vitalconn.com

| MILLIMETERS | INCH |
|-------------|-------------|
| X.° ±2° | X.° ±2° |
| .X ±0.30 | .X ±0.012 |
| .XX ±0.20 | .XX ±0.008 |
| .XXX ±0.10 | .XXX ±0.004 |



FOR YOUR VITAL CONNECTION

TITLE: USB TYPE-CF24PIN 沉板防水IP68 CH=0.40

| | | | | | | | |
|--------------|----------|-------------|---------------|--------------------------|--------|-------|----|
| DRAWN BY: | Zou Long | PART NO: | UC3114802-NE1 | SHEET: | 2 OF 3 | REV: | A0 |
| CHECKED BY: | Bob | DWG NO: | VTC-TZ-00147 | SIZE: | A4 | UNIT: | mm |
| APPROVED BY: | QPF | PROJECTION: | | http://www.vitalconn.com | | | |

