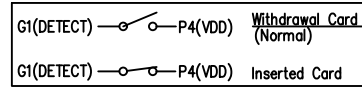




REV:	ECN. NO.:	NAME	DATE
A0	----	-----	05-12-2026

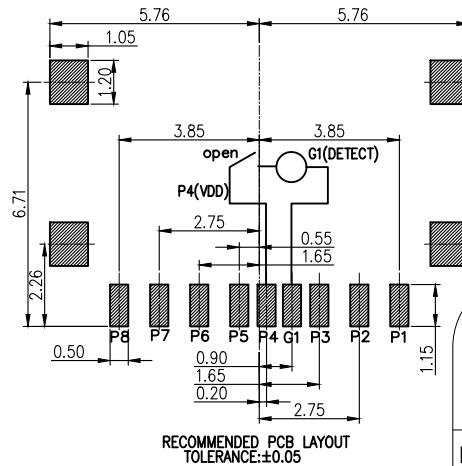
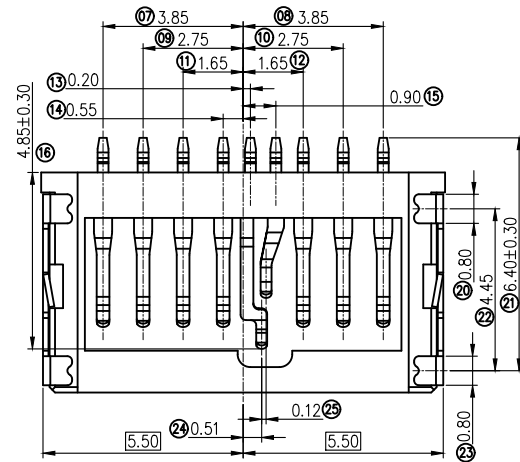
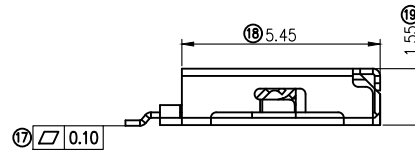
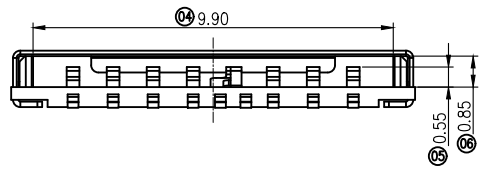
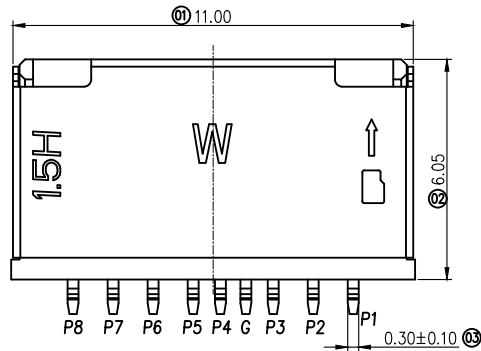
Pin No	Name
P1	DAT2
P2	CD/DAT3
P3	CMD
P4	VDD
P5	CLK
G1	DETECT
P6	VSS
P7	DAT0
P8	DAT1

PIN No. ASSIGNMENT

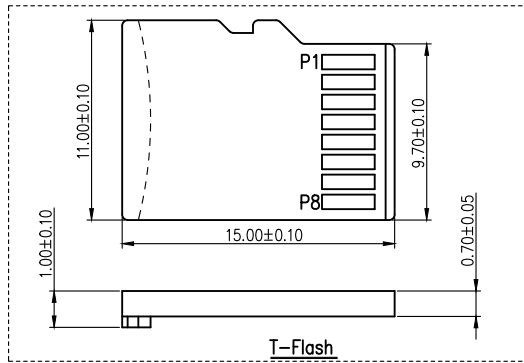


NOTES:

- MATERIAL:
 - HOUSING: LCP UL94V-0; COLOR: BLACK
 - TERMINAL: C5191
 - SHELL: SUS201
- FINISH:
 - TERMINAL: G/F PLATED ON CONTACT AREA; G/F PLATED ON SOLDER AREA; Ni 20u" MIN. UNDERPLATED OVERALL.
 - SHELL: Ni 20u" MIN. UNDERPLATED OVERALL.
- ELECTRICAL SPECIFICATION:
 - RATED CURRENT: 0.5A
 - CONTACT RESISTANCE: 100mΩ MAX.
 - INSULATION RESISTANCE: 1000MΩ MIN.
 - DIELECTRIC WITHSTANDING VOLTAGE: 500V AC .
- MACHINERY SPECIFICATION:
 - NORMAL FORCE: 15gf/PIN MIN.
 - DURABILITY: 3000 CYCLES .
- ENVIRONMENTAL SPECIFICATION:
 - OPERATING CONDITION: TEMPERATURE -40°C~+85°C; HUMIDITY 80% R.H MAX
 - SALT SPRAY: 24H.
 - SOLDER ABILITY: 245±5°C, 5±0.5s
 - IR REFLOW: THE PEAK TEMPERATURE ON THE BOARD SHALL BE MAINTAINED FOR 10 SECONDS AT 260°C.



RECOMMENDED PCB LAYOUT TOLERANCE: ±0.05



MILLIMETERS	INCH
X.° ±2°	X.° ±2°
.X ±0.30	.X ±0.012
.XX ±0.20	.XX ±0.008
.XXX ±0.10	.XXX ±0.004



FOR YOUR VITAL CONNECTION

TITLE: TF短体 开关中间PIN(4,5侦测)L11.25 W6.00 H1.50

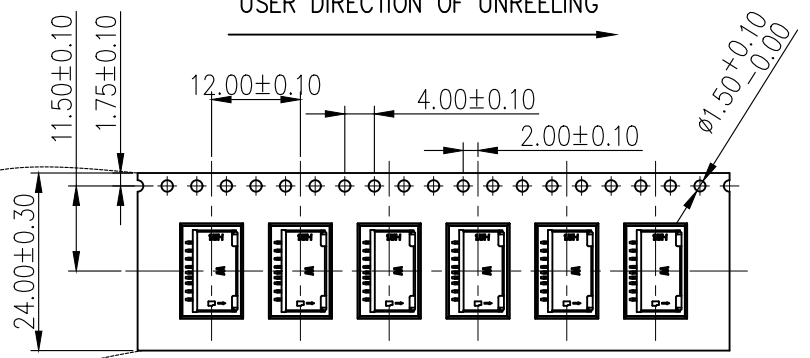
DRAWN BY:	Zou Long	PART NO:	VTC102315922-BE1	SHEET:	1 OF 2	REV:	A0
CHECKED BY:	Bob	DWG NO:	VTC-TZ-00159	SIZE:	A4	UNIT:	mm
APPROVED BY:	QPF	PROJECTION:		http://www.vitalconn.com			

For technical support, please send an email to support@vitalconn.com

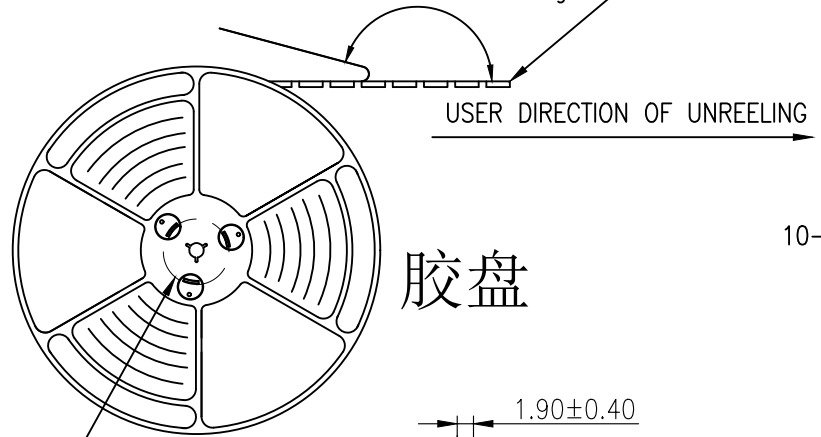


REV:	ECN. NO.	NAME	DATE
A0	-----	-----	05-12-2026

USER DIRECTION OF UNREELING

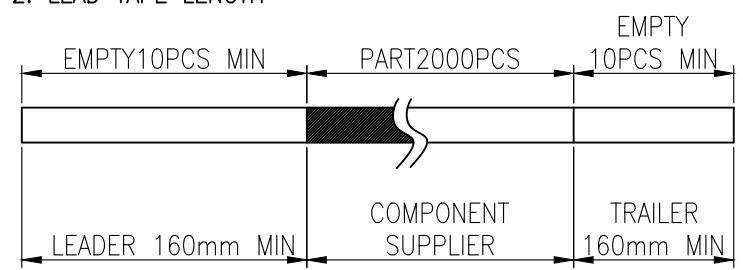


COVER TAPE PEELING ANGLE: 165°~180°
PEELING FORCE: 20~130g
CARRIER TAPE

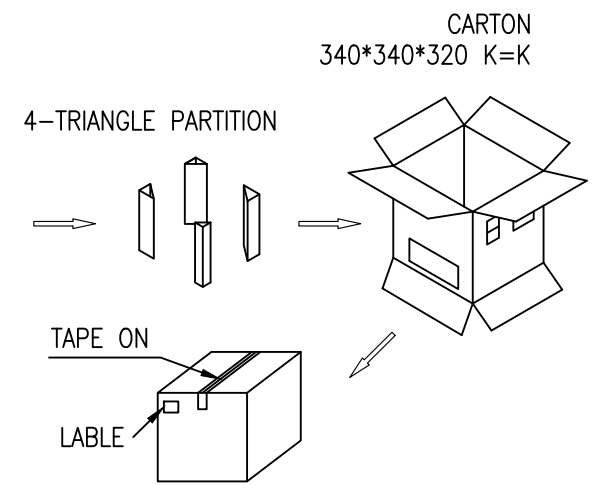


NOTES

1. NUMBER OF CONNECTORS: 2000PCS/REEL
2. LEAD TAPE LENGTH



3. QUANTITY: 20000PCS/CARTON



胶盘

MILLIMETERS	INCH
X.° ±2°	X.° ±2°
.X ±0.30	.X ±0.012
.XX ±0.20	.XX ±0.008
.XXX ±0.10	.XXX ±0.004



FOR YOUR VITAL CONNECTION

TITLE: TF短体 开关中间PIN(4,5侦测)L11.25 W6.00 H1.50

DRAWN BY:	Zou Long	PART NO:	VTC102315922-BE1	SHEET:	2 OF 2	REV:	A0
CHECKED BY:	Bob	DWG NO:	VTC-TZ-00159	SIZE:	A4	UNIT:	mm
APPROVED BY:	QPF	PROJECTION:		http://www.vitalconn.com			

For technical support, please send an email to support@vitalconn.com