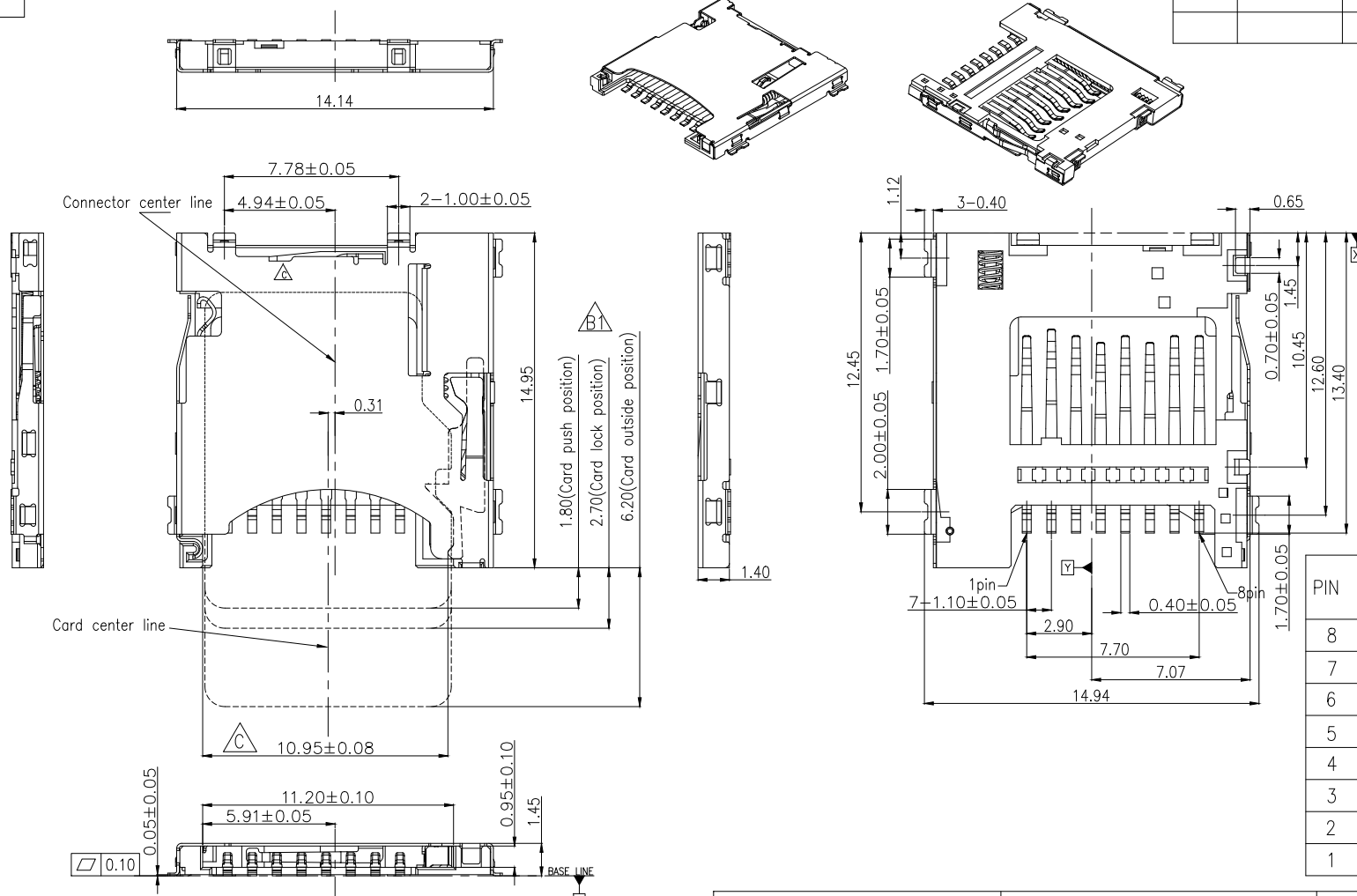




REV:	ECN. NO.	NAME	DATE
A0	----	----	04-07-2025



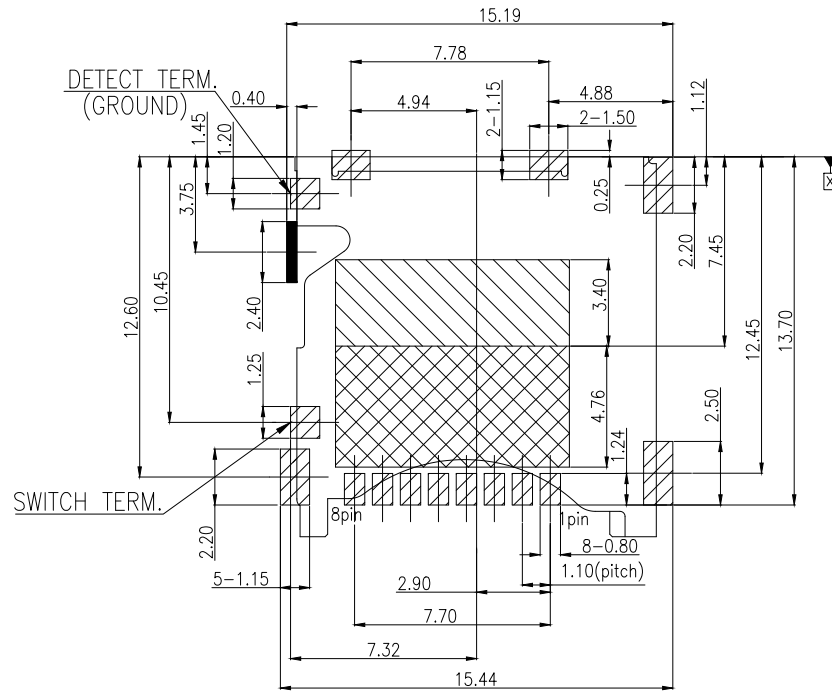
PIN	T/F CARD
8	P8 Dat1
7	P7 Dat0
6	P6 VSS
5	P5 CLK
4	P4 VDD
3	P3 CMD
2	P2 CD/Dat3
1	P1 Dat2

DIMENSION TOLERANCE X.X: ± 0.35 X.XX: ± 0.20 X.XXX: ± 0.10 ANGULAR: ± 2°	VITALCON a vital connector company		勇于创新，志在连接 FOR YOUR VITAL CONNECTION	
	TITLE:		TF1.45 Micro-SD 卡座SMT	
DRAWN BY:	Zou Long	PART NO:	CT125114501E7	REV: A0
CHECKED BY:	Bob	SIZE: A4	UNIT:mm	SHEET:1 OF 2
APPROVED BY:	QPF	PROJECTION	http://www.vitalconn.com	

For technical support, please send an email to support@vitalconn.com

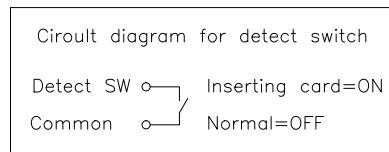


REV:	ECN. NO.	NAME	DATE
A0	----	----	04-07-2025



RECOMMEND P.C.B LAYOUT
(General tolerance ± 0.05)

- PAD AREA
- PATTERN PROHIBITION AREA
- SOLDER PROHIBITION AREA
- PROHIBITED AREA



Specification

- 1.MATERIAL:
 - 1.1 Insulator:High Temperature Thermoplastic, (LCP,MG350),UL Black 94V-0.
 - 1.2 Contact: Phosphor Bronze(C5210R-H,T=0.15 \pm 0.03mm)
 - 1.3 Shell: SUS304-H T=0.12 \pm 0.03mm
- 2.Plating:
 - 2.1 Contact: Plated 50u''min Ni Overall
Plated 1u''min Au Selective contact area
Plated 100u''min Sn over Ni on solder area
 - 2.2 Shell: Plated 50u''min Ni Overall
Plated 1u''min Au Selective Contact Area
- 3.Property:
 - 3.1 Current Rating :0.5A AC/DC max.
 - 3.2 Voltage Rating :3.3V/5V(AC/DC)
 - 3.3 Contact Resistance:Contact Pin 100m Ω max.
 - 3.4 Insert/Pulling Force: 40N Max / 0.5~40N
 - 3.5 Smt Solder Temperature: Should Under 260 $^{\circ}$ C
 - 3.6 Operation Temperature Range: -40~+85 $^{\circ}$ C

DIMENSION TOLERANCE X.X: \pm 0.35 X.XX: \pm 0.20 X.XXX: \pm 0.10 ANGULAR: \pm 2 $^{\circ}$	 a vital connector company		勇于创新，志在连接 FOR YOUR VITAL CONNECTION	
	TITLE:		TF1.45 Micro-SD 卡座SMT	
DRAWN BY:	Zou Long	PART NO:	CT125114501E7	REV: A0
CHECKED BY:	Bob	SIZE: A4	UNIT:mm	SHEET:2 OF 2
APPROVED BY:	QPF	PROJECTION		http://www.vitalconn.com

For technical support, please send an email to support@vitalconn.com