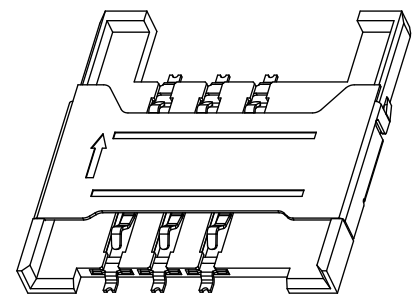
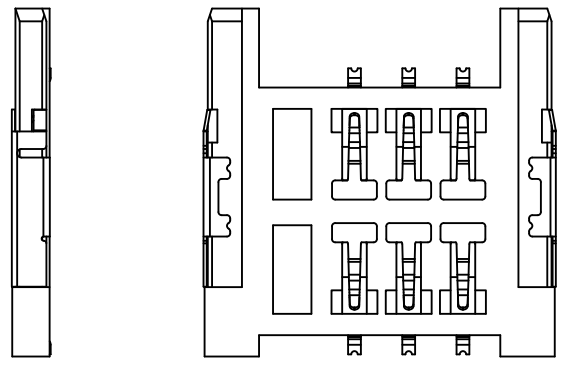
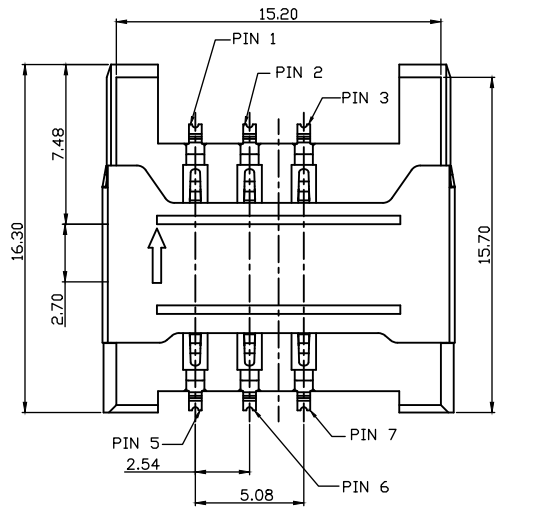


REV:	ECN. NO.	NAME	DATE



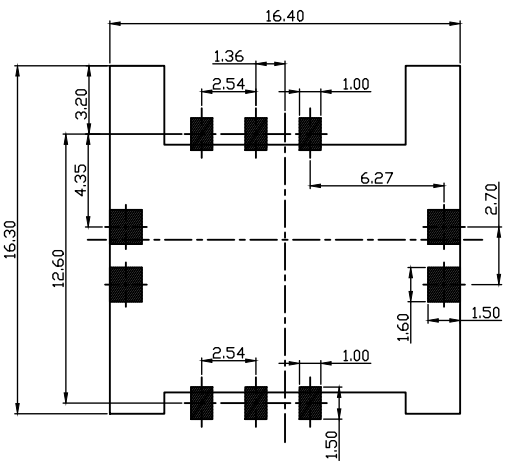
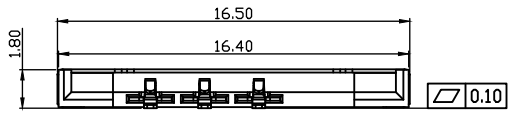
Specification

Material  
Housing: LCP 30%GF. UL94V-0, Black  
Contact Terminal: Phosphor Bronze. T=0.15mm  
Shell: SUS201, T=0.15mm

Plating:  
Contact Terminal  
Contact Area: Gold Flash  
Solder area: Tin 80u" min.  
Underplating: Ni overall 30u" min.  
Shell: Ni overall 30u" min.  
Shell Solder area: Gold Flash

Electrical  
Voltage Rating: 30V max.  
Current Rating: 0.5A max.  
Dielectric Withstanding Voltage: 500V AC (60 Sec min.)  
Insulation Resistance: 1000 MΩ min.  
Contact Resistance: 100 mΩ max.


Mechanical & Environmental  
Operating Temperature: -40°C to +85°C  
Durability: 1000 cycles



Recommended PCB Layout

# RoHS Compliant

PIN NO.	PIN NAME
PIN 1	Supply Voltage Vcc
PIN 2	Resrt(RST)
PIN 3	Clock (CLK)
PIN 5	Ground
PIN 6	Programing Voltage Vpp
PIN 7	I/O
PIN 4/8	N/A

MILLIMETERS X.° ± 2° .X ± 0.30 .XX ± 0.20 .XXX ± 0.10	INCH X.° ± 2° .X ± 0.012 .XX ± 0.008 .XXX ± 0.004	 <p>FOR YOUR VITAL CONNECTION</p>
TITLE: SIM CRAD H1.8有档对插		
DRAWN BY: Zou Long	PART NO: VTC402011882-A	REV: A
CHECKED BY: Bob	SIZE: A4	UNIT:mm
APPROVED BY: QPF	PROJECTION	SHEET:1 OF 2
		FCN: E1
		http://www.vitalconn.com

A  
B  
C  
D  
E  
F

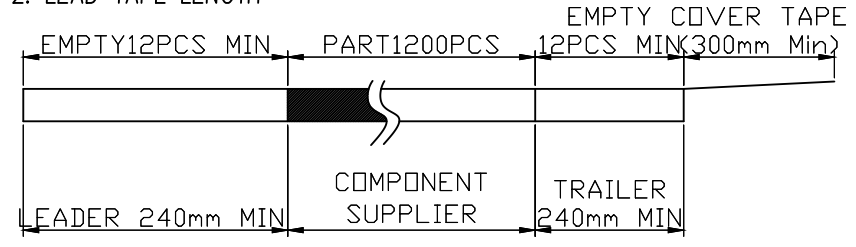
A  
B  
C  
D  
E  
F

1 2 3 4 5 6 7 8

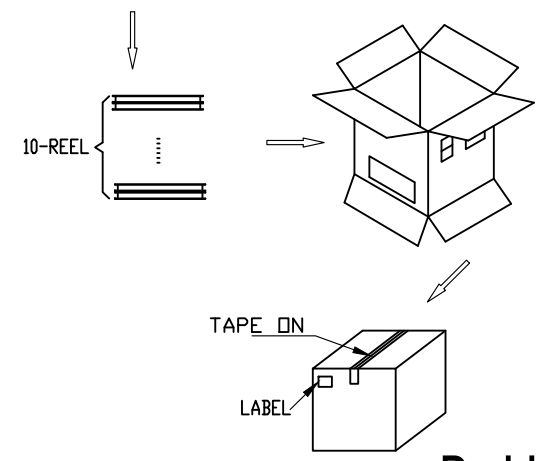
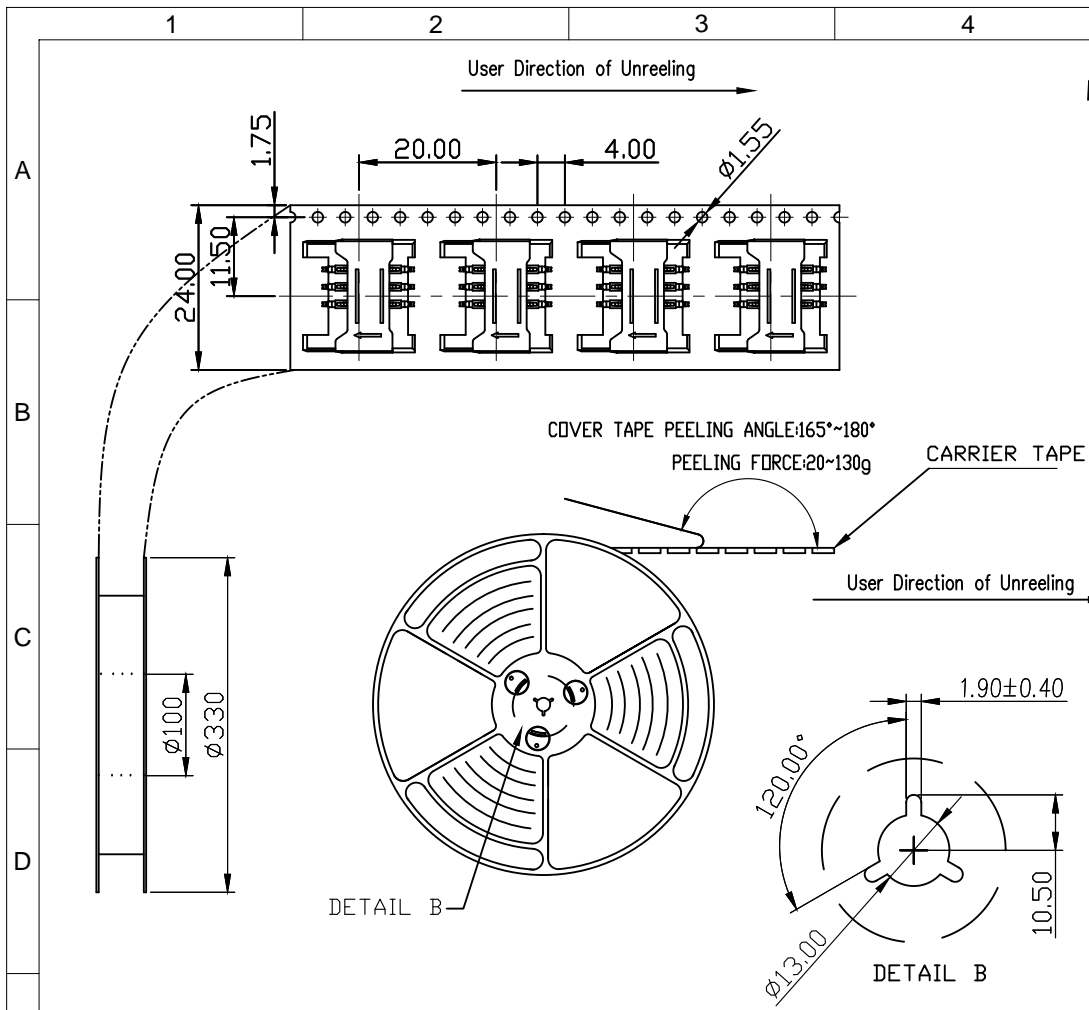
REV:	ECN. NO.	NAME	DATE

NOTES


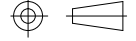
1. NUMBER OF CONNECTORS: 1200PCS/REEL
2. LEAD TAPE LENGTH



3. QUANTITY: 12000PCS/CARTON



RoHS Compliant

MILLIMETERS X.° ± 2° .X ± 0.30 .XX ± 0.20 .XXX ± 0.10	INCH X.° ± 2° .X ± 0.012 .XX ± 0.008 .XXX ± 0.004	 <b>VITALCONN</b> <small>a vital connector company</small>	FOR YOUR VITAL CONNECTION	
TITLE: SIM CRAD H1.8有档对插				
DRAWN BY: Zou Long	PART NO: VTC402011882-A	REV: A		
CHECKED BY: Bob	SIZE: A4	UNIT: mm	SHEET: 2 OF 2	FCN: E1
APPROVED BY: QPF	PROJECTION		<a href="http://www.vitalconn.com">http://www.vitalconn.com</a>	