



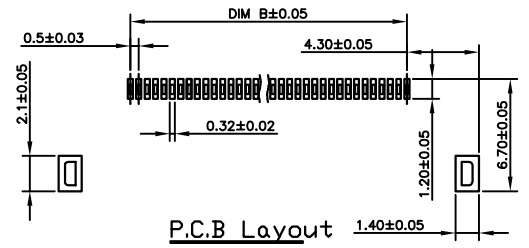
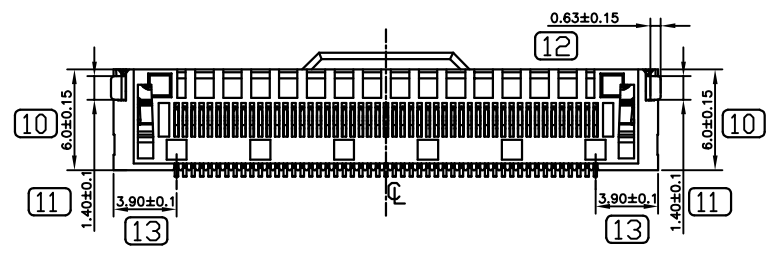
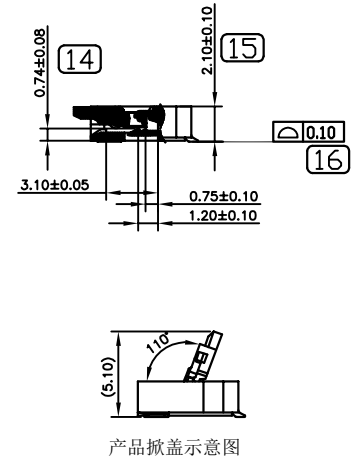
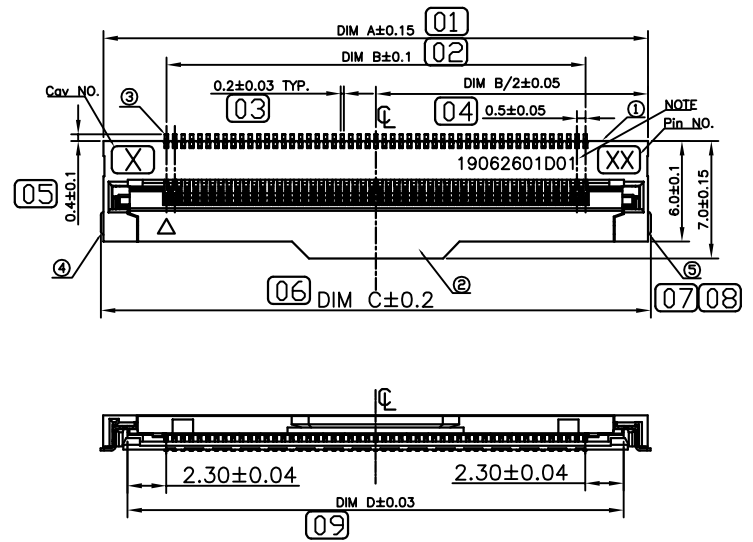
| | | | | | | | |
|------|----------|-------|------------|---|---|---|---|
| 1 | 2 | 3 | 4 | 5 | 6 | 7 | 8 |
| REV: | ECN. NO. | NAME | DATE | | | | |
| A0 | ---- | ----- | 04-29-2026 | | | | |

NOTES:
 MATERIAL:
 INSULATOR:LCP PLASTIC.UL 94V-0 COLOR:NATURE
 COVER:THERMO-PLASTIC COLOR:BLACK
 THRMINAL:PHOSPHOR COPPER
 CONTACT:COPPER ALLOY

SPECIFICATION:
 CURRENT RATING:0.5A 50V AC/DC
 CUNTACT RESISTANCE:30mΩMAX
 INSULATION RESISTANCE:100MΩMIN AT 500V DC
 OPERATING TEMPERATURE RANGE:-40℃ TO +85℃
 WITHSTANDING VOLTANG:500V AC/minute

电镀:焊锡区镀雾锡80~160u";
 接触区镀金1u"Min;
 底层全区打钨底50~100u".

NOTES 1(Lot No): 19 06 26 01 D 01
 Year of manufacturing(年)———
 (19:2019 Year,20:2020 year)
 Month of manufacturing(月)———
 Date of manufacturing(日)———
 Assembly machine no.(装配机台号)———
 Time of manufacturing(班别)———
 D:Daytime(白天), N:Night(夜班)
 Reel Number(盘号)———



| | | | | |
|----|------|-----------------|----|---------|
| 5 | 右接地片 | COPPER ALLOY | 1 | 雾锡 |
| 4 | 左接地片 | COPPER ALLOY | 1 | 雾锡 |
| 3 | 端子 | PHOSPHOR COPPER | ** | 半金锡1u" |
| 2 | 掀盖 | LCP | 1 | 黑色 |
| 1 | 塑胶主体 | LCP | 1 | 白色 |
| 项次 | 名称 | 材质 | 数量 | 电镀(或颜色) |

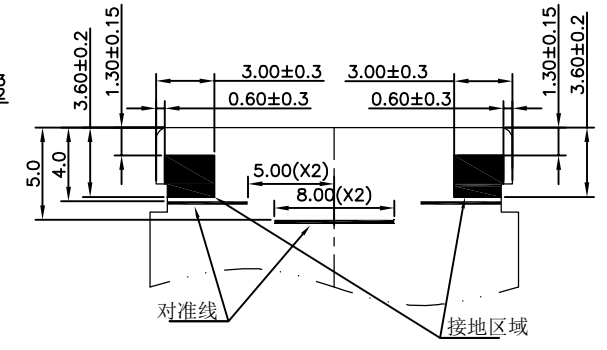
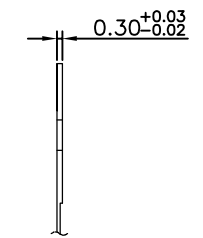
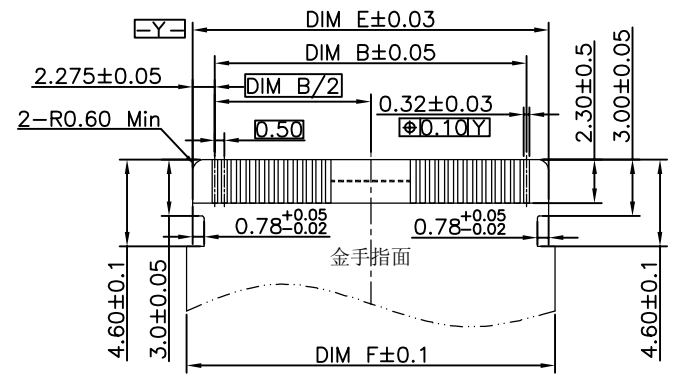
| PN MO. | DIM A | DIM B | DIM C | DIM D |
|--------|-------|-------|-------|-------|
| 30 | 22.00 | 14.50 | 22.30 | 19.10 |
| 41 | 27.50 | 20.00 | 27.80 | 24.60 |
| 51 | 32.50 | 25.00 | 32.80 | 29.60 |

| | | | | | | | | | |
|---|--|---|--|-------------------------------|--|--|--|---------------|--|
| MILLIMETERS X.° ±1° .X ±0.20 .XX ±0.15 .XXX ±0.10 | | INCH X.° ±2° .X ±0.008 .XX ±0.006 .XXX ±0.004 | | a vital connector company | | FOR YOUR VITAL CONNECTION | | | |
| DRAWN BY: Zou Long | | PART NO: F05043FA030M1WLJ9 | | | | TITLE: ZIF FPC 0.50PITCH 2.1HIGH,30Pin,ASSEMBLY | | SHEET: 1 OF 3 | |
| CHECKED BY: Bob | | DWG NO: VTC-TZ-J9-001 | | SIZE: A4 | | UNIT:mm | | FCN: J9 | |
| APPROVED BY: QPF | | PROJECTION: | | | | http://www.vitalconn.com | | | |

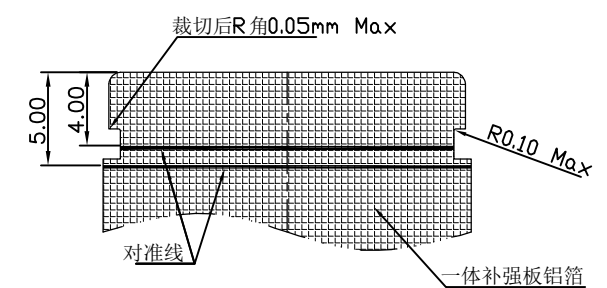
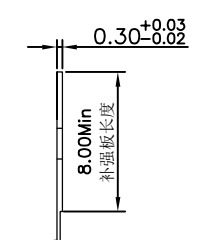
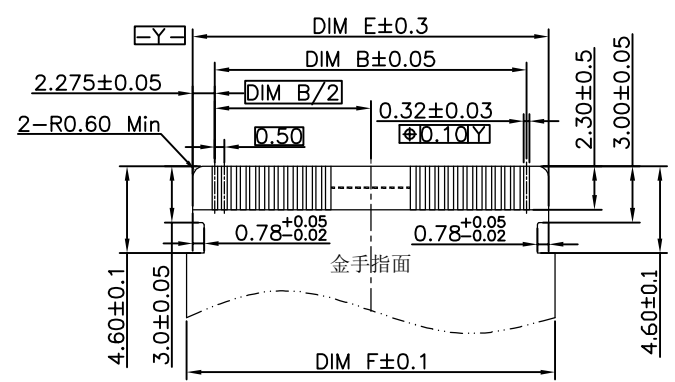
For technical support, please send an email to support@vitalconn.com



| | | | | | | | |
|------|----------|-------|------------|---|---|---|---|
| 1 | 2 | 3 | 4 | 5 | 6 | 7 | 8 |
| REV: | ECN. NO. | NAME | DATE | | | | |
| A0 | ---- | ----- | 04-29-2026 | | | | |



APPLICAB



APPLICABLE FPC RECOMMENDED DIMENSION 一体补强板铝箔FPC线(接地)

| PN MO. | DIM B | DIM E | DIM F |
|--------|-------|-------|-------|
| 30 | 14.50 | 19.05 | 19.50 |
| 41 | 20.00 | 24.55 | 25.00 |
| 51 | 25.00 | 29.55 | 30.00 |

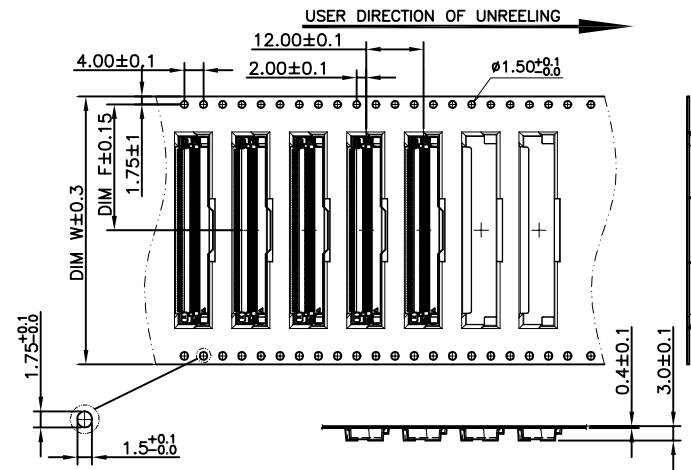
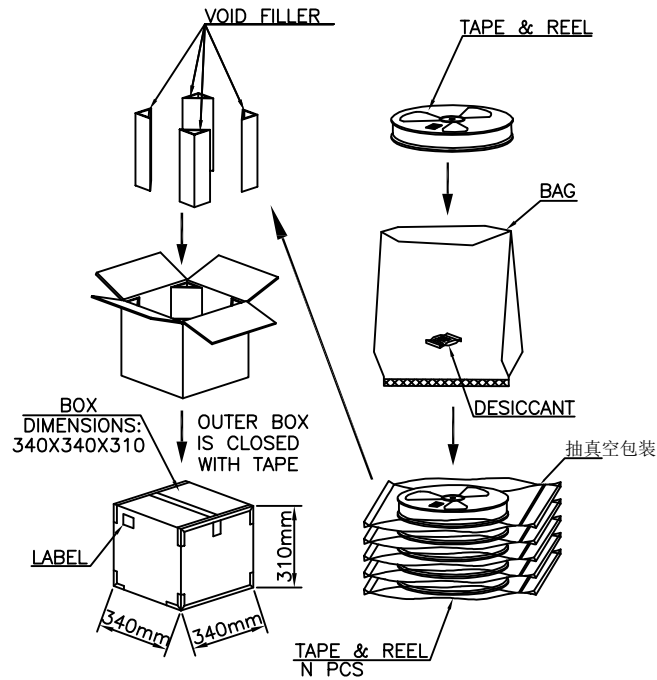
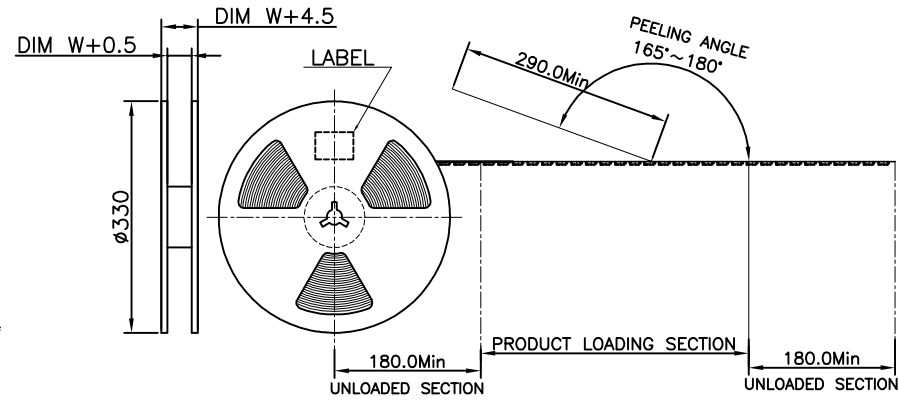
| | | | | | | | | |
|---|--|---|--|-------------------------------|---|--|--|---------------|
| MILLIMETERS X.° ±1° .X ±0.20 .XX ±0.15 .XXX ±0.10 | | INCH X.° ±2° .X ±0.008 .XX ±0.006 .XXX ±0.004 | | a vital connector company | | FOR YOUR VITAL CONNECTION | | |
| DRAWN BY: Zou Long | | PART NO: F05043FA030M1WLJ9 | | | | TITLE: ZIF FPC 0.50PITCH 2.1HIGH,30Pin,ASSEMBLY | | SHEET: 2 OF 3 |
| CHECKED BY: Bob | | DWG NO: VTC-TZ-J9-001 | | SIZE: A4 | UNIT:mm | FCN: J9 | | |
| APPROVED BY: QPF | | PROJECTION: | | | http://www.vitalconn.com | | | |

For technical support, please send an email to support@vitalconn.com



NOTES:
 *Reel Material:Polystyrenes,Blue color
 *Carrier Material:Colir Nature,Conductive Polystyrene Alloy
 *Cover Tape Material:Polyester
 *Cover Tape Peel Strength:0.1N~1.3N
 *Carrier cambeer is Within 1mm in 300mm
 *All dimensions meet EIA-481-C requirements.
 *Quantity:2000 PCS/Reel

| | | | | | | | |
|------|----------|-------|---|------------|---|---|---|
| 1 | 2 | 3 | 4 | 5 | 6 | 7 | 8 |
| REV: | ECN. NO. | NAME | | DATE | | | |
| A0 | ---- | ----- | | 04-29-2026 | | | |



| PIN NO. | PCS/REEL | PCS/BOX | GROSS WEIGHT | NET WEIGHT | DIM W | DIM F |
|---------|----------|---------|--------------|------------|-------|-------|
| 30P | 2000 | 12000 | 11.80Kg | 5.80Kg | 44 | 20.2 |
| 41P | 2000 | 12000 | | | 44 | 20.2 |
| 51P | 2000 | 10000 | 13.50Kg | 7.50Kg | 56 | 26.2 |

| | | | | | | | | | | | |
|---|--|---|--|--|--|---|--|---------|--|---------|--|
| MILLIMETERS X.° ±1° .X ±0.20 .XX ±0.15 .XXX ±0.10 | | INCH X.° ±2° .X ±0.008 .XX ±0.006 .XXX ±0.004 | | a vital connector company | | FOR YOUR VITAL CONNECTION | | | | | |
| DRAWN BY: Zou Long | | PART NO: F05043FA030M1WLJ9 | | | | SHEET: 3 OF 3 | | REV: A0 | | | |
| CHECKED BY: Bob | | DWG NO: VTC-TZ-J9-001 | | TITLE: ZIF FPC 0.50PITCH 2.1HIGH,30Pin,ASSEMBLY | | SIZE: A4 | | UNIT:mm | | FCN: J9 | |
| APPROVED BY: QPF | | PROJECTION: | | | | http://www.vitalconn.com | | | | | |

For technical support, please send an email to support@vitalconn.com