



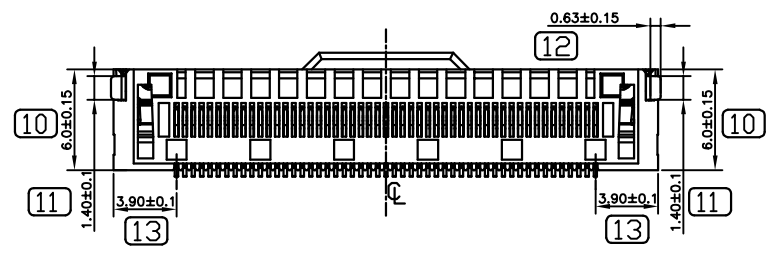
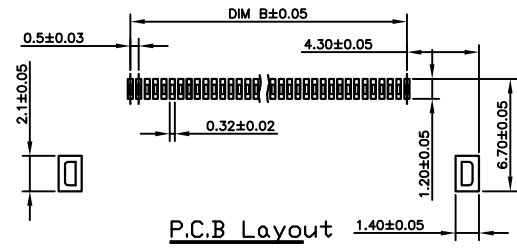
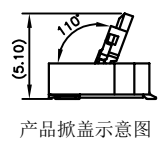
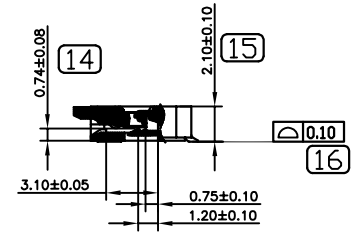
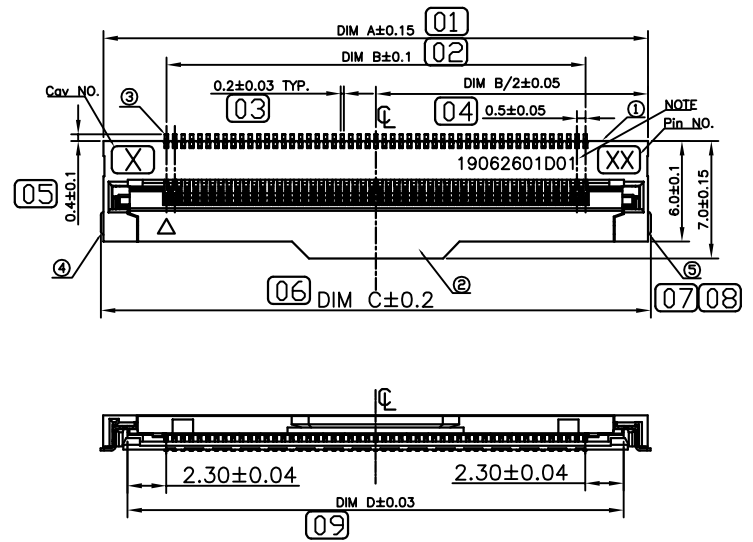
REV:	ECN. NO.	NAME	DATE
A0	----	-----	04-29-2026

NOTES:
 MATERIAL:
 INSULATOR:LCP PLASTIC.UL 94V-0 COLOR:NATURE
 COVER:THERMO-PLASTIC COLOR:BLACK
 THRMINAL:PHOSPHOR COPPER
 CONTACT:COPPER ALLOY

SPECIFICATION:
 CURRENT RATING:0.5A 50V AC/DC
 CUNTACT RESISTANCE:30mΩMAX
 INSULATION RESISTANCE:100MΩMIN AT 500V DC
 OPERATING TEMPERATURE RANGE:-40℃ TO +85℃
 WITHSTANDING VOLTANG:500V AC/minute

电镀:焊锡区镀雾锡80~160u";
 接触区镀金1u"Min;
 底层全区打钨底50~100u".

NOTES 1(Lot No): 19 06 26 01 D 01
 Year of manufacturing(年) _____
 (19:2019 Year,20:2020 year)
 Month of manufacturing(月) _____
 Date of manufacturing(日) _____
 Assembly machine no.(装配机台号) _____
 Time of manufacturing(班别) _____
 D:Daytime(白班), N:Night(夜班)
 Reel Number(盘号) _____



5	右接地片	COPPER ALLOY	1	雾锡
4	左接地片	COPPER ALLOY	1	雾锡
3	端子	PHOSPHOR COPPER	**	半金锡1u"
2	掀盖	LCP	1	黑色
1	塑胶主体	LCP	1	白色
项次	名称	材质	数量	电镀(或颜色)

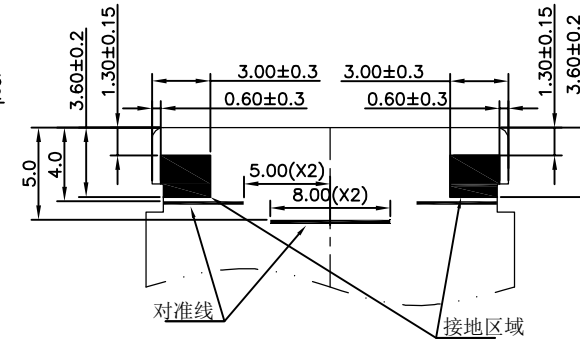
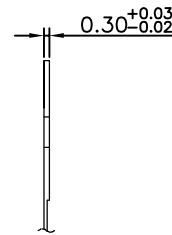
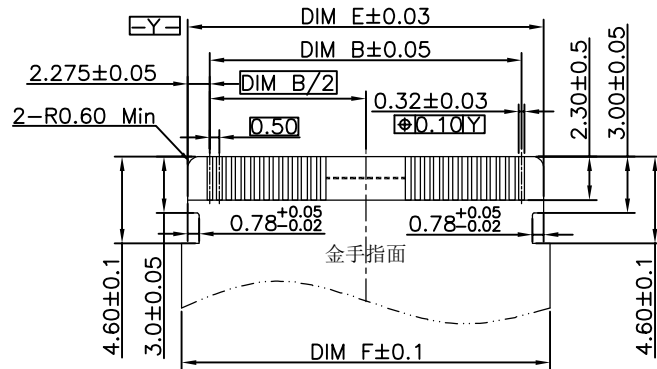
PN MO.	DIM A	DIM B	DIM C	DIM D
30	22.00	14.50	22.30	19.10
41	27.50	20.00	27.80	24.60
51	32.50	25.00	32.80	29.60

MILLIMETERS X.° ±1° .X ±0.20 .XX ±0.15 .XXX ±0.10		INCH X.° ±2° .X ±0.008 .XX ±0.006 .XXX ±0.004		 a vital connector company		FOR YOUR VITAL CONNECTION			
DRAWN BY: Zou Long		PART NO: F05043FA041M1WLJ9				TITLE: ZIF FPC 0.50PITCH 2.1HIGH,41Pin,ASSEMBLY		SHEET: 1 OF 3	
CHECKED BY: Bob		DWG NO: VTC-TZ-J9-002		SIZE: A4		UNIT:mm		FCN: J9	
APPROVED BY: QPF		PROJECTION:				http://www.vitalconn.com			

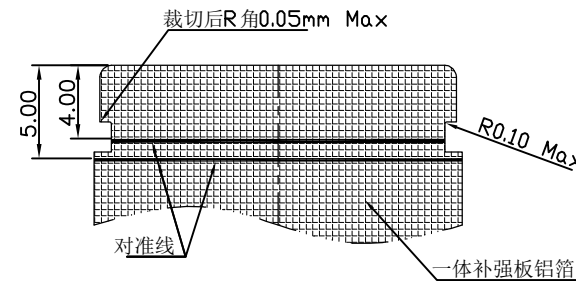
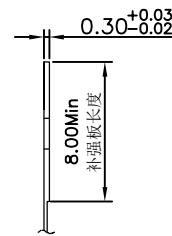
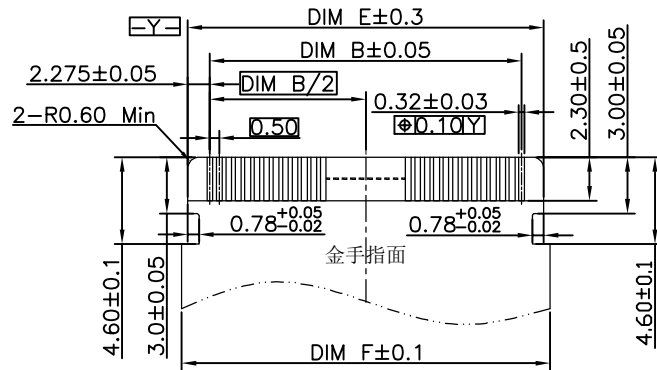
For technical support, please send an email to support@vitalconn.com



1	2	3	4	5	6	7	8
REV:	ECN. NO.	NAME	DATE				
A0	----	-----	04-29-2026				



APPLICAB



APPLICABLE FPC RECOMMENDED DIMENSION 一体补强板铝箔FPC线(接地)

PN MO.	DIM B	DIM E	DIM F
30	14.50	19.05	19.50
41	20.00	24.55	25.00
51	25.00	29.55	30.00

MILLIMETERS	INCH
X.° ±1°	X.° ±2°
.X ±0.20	.X ±0.008
.XX ±0.15	.XX ±0.006
.XXX ±0.10	.XXX ±0.004



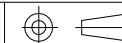
FOR YOUR VITAL CONNECTION

TITLE:	ZIF FPC 0.50PITCH 2.1HIGH,41Pin,ASSEMBLY		
PART NO:	F05043FA041M1WLJ9	SHEET:	2 OF 3
DWG NO:	VTC-TZ-J9-002	SIZE: A4	UNIT:mm
		REV: A0	FCN: J9

For technical support, please send an email to support@vitalconn.com

APPROVED BY: QPF

PROJECTION:

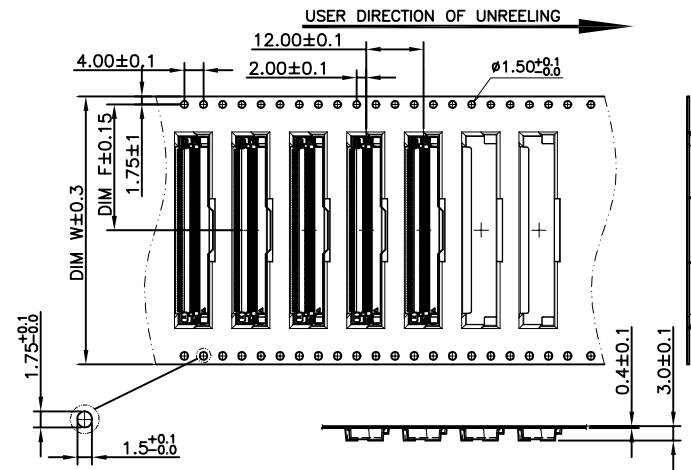
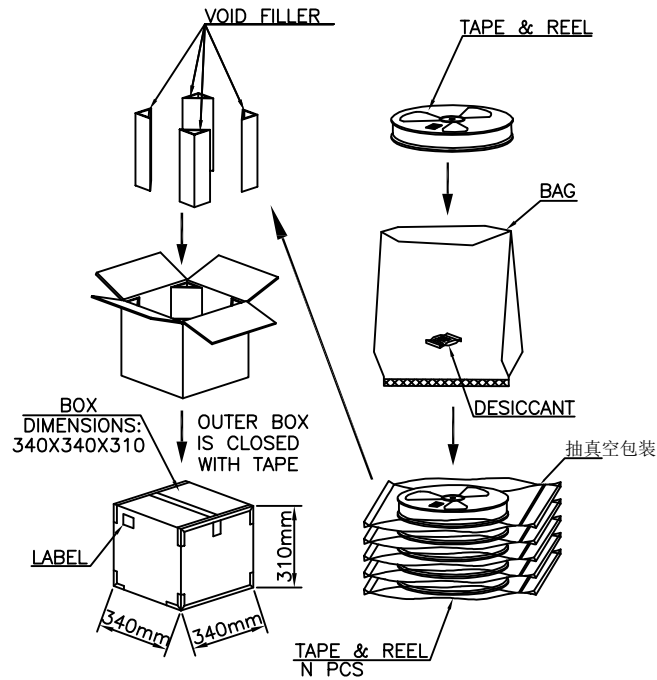
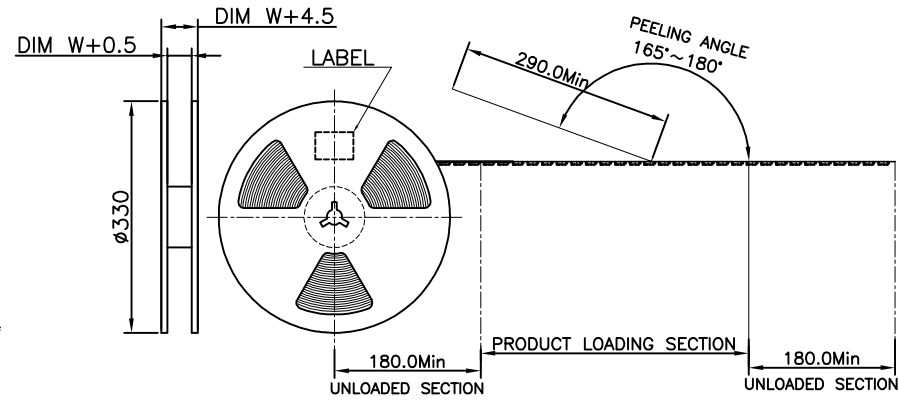


http://www.vitalconn.com



NOTES:
 *Reel Material:Polystyrenes,Blue color
 *Carrier Material:Colir Nature,Conductive Polystyrene Alloy
 *Cover Tape Material:Polyester
 *Cover Tape Peel Strength:0.1N~1.3N
 *Carrier cambeer is Within 1mm in 300mm
 *All dimensions meet EIA-481-C requirements.
 *Quantity:2000 PCS/Reel

1	2	3	4	5	6	7	8
REV:	ECN. NO.	NAME		DATE			
A0	----	-----		04-29-2026			



PIN NO.	PCS/REEL	PCS/BOX	GROSS WEIGHT	NET WEIGHT	DIM W	DIM F
30P	2000	12000	11.80Kg	5.80Kg	44	20.2
41P	2000	12000			44	20.2
51P	2000	10000	13.50Kg	7.50Kg	56	26.2

MILLIMETERS X.° ±1° .X ±0.20 .XX ±0.15 .XXX ±0.10		INCH X.° ±2° .X ±0.008 .XX ±0.006 .XXX ±0.004		 a vital connector company		FOR YOUR VITAL CONNECTION ZIF FPC 0.50PITCH 2.1HIGH,41Pin,ASSEMBLY		
DRAWN BY: Zou Long		PART NO: F05043FA041M1WLJ9						
CHECKED BY: Bob		DWG NO: VTC-TZ-J9-002		SIZE: A4	UNIT:mm	FCN: J9		
APPROVED BY: QPF		PROJECTION:			http://www.vitalconn.com			

For technical support, please send an email to support@vitalconn.com