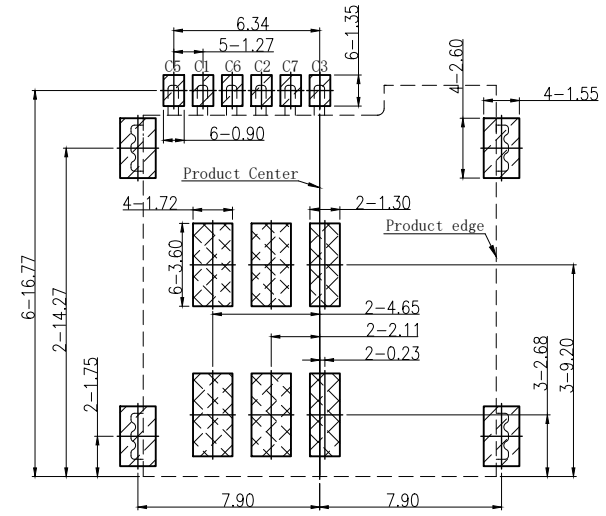
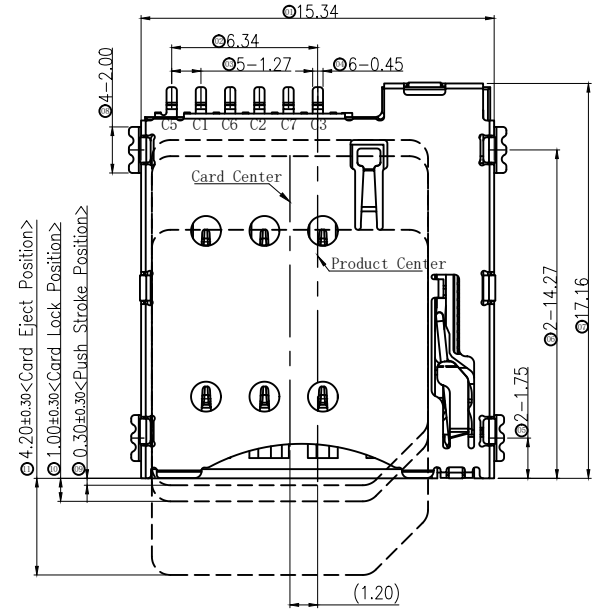
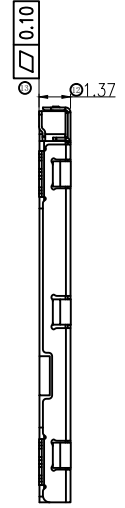
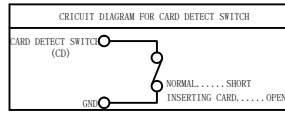
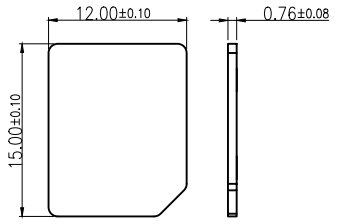
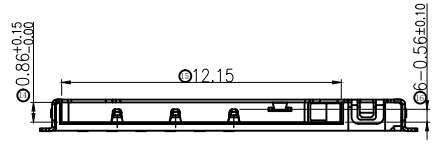


REV:	ECN. NO.	NAME	DATE



Notes:

- Material:
  - Housing: LCP, UL94V-0, Black
  - Terminal: Phosphor Bronze T=0.12
  - Cover: SUS304 T=0.12
- Plating:
  - Terminal: 30u" Ni Underplated Overall
  - Contact Area: Gold Flash
  - Solder Area: 80u" Matte Tin
  - Cover: 30u" Ni Underplated Overall
  - Contact Area: Gold Flash
- Technical Speciality:
  - Rated Voltage: 30V
  - Current Rating: 0.5A
  - Insulation Resistance: 1000MΩ Min.
  - Contact Resistance: 100mΩ Max.
  - Withstanding Voltage: 500V DC For 1 Minutes.
  - Operating Temperature: -40°C ~ +75°C Humidity 80% R.H Max.



RECOMMENDED PCB LAYOUT

TOLERANCE: ±0.05

- SMT SOLDER AREA
- COPPER RESTRICTED AREA
  - TOUCH AREA OF CONTACT
  - TIPS NO ELECTRICAL FUNCTION
  - NO FIRST PCB LAYOUT CIRCUITS IN THE AREA

# RoHS Compliant

MILLIMETERS X.° ± 2° .X ± 0.30 .XX ± 0.20 .XXX ± 0.10	INCH X.° ± 2° .X ± 0.012 .XX ± 0.008 .XXX ± 0.004	<b>VITALCON</b> a vital connector company		FOR YOUR VITAL CONNECTION	
				1.35H P-P M-SIM卡座	
DRAWN BY:	Zou Long	PART NO:	VTC102032572	REV: A	
CHECKED BY:	Bob	SIZE: A4	UNIT:mm	SHEET: 1 OF 2	FCN: E1
APPROVED BY:	QPF	PROJECTION		http://www.vitalconn.com	

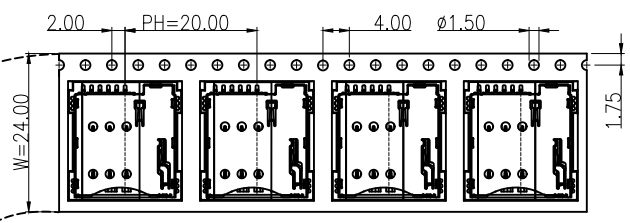
PIN/NO	ASSIGNMENT
C1	VCC
C2	RST
C3	CLK
C5	GND
C6	VPP
C7	I/O

A  
B  
C  
D  
E  
F

A  
B  
C  
D  
E  
F

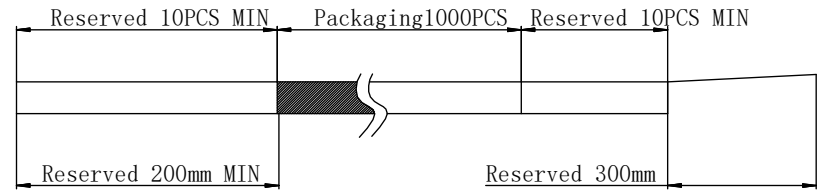
7		8	
REV:	ECN. NO.	NAME	DATE

Direction of use →



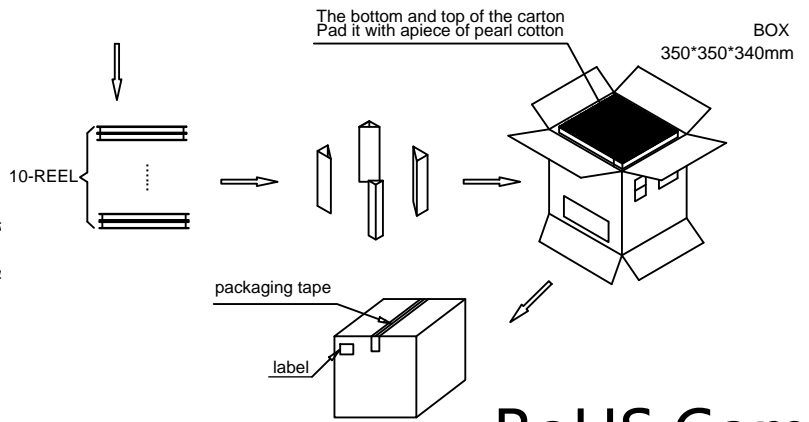
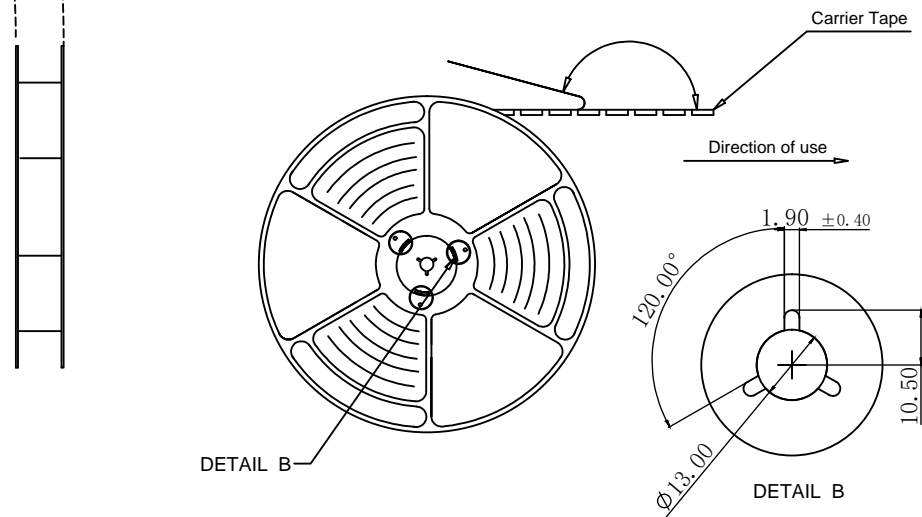
NOTES:

- 1、 Packing quantity per plate: 1000PCS/Plate
- 2、 Loading and packing method



- 3、 Total packaging: 10000PCS/Box

A  
B  
C  
D  
E  
F



**RoHS Compliant**

Part Number	Description	Quantity
303020029	Carrier band (Lucent, PET W=24 PH=20,T=0.3)	204m
303040009	Box (K=K,T=7.0,350*350*340)	1PCS
303060001	PE Bag (T=0.08mm, 730*760*730)	1PCS
303070024	Self-adhesive (W=21.3)	207m
303110001	Beam (K=K, T=7.0,95*95*290)	4PCS
303130001	Pearl Wool (340*340*18)	2PCS
303180008	REEL (BLUE, 13Inches*24mm, ø330)	10PCS
VTC102032572	1.35H PUSH-PUSH Micro-SIM CARD<MS004-000>	10000PCS

MILLIMETERS X.° ± 2° .X ± 0.30 .XX ± 0.20 .XXX ± 0.10	INCH X.° ± 2° .X ± 0.012 .XX ± 0.008 .XXX ± 0.004		FOR YOUR VITAL CONNECTION	
DRAWN BY: Zou Long			TITLE: 1.35H P-P M-SIM卡座	
CHECKED BY: Bob	APPROVED BY: QPF	PART NO: VTC102032572	REV: A	
		SIZE: A4	UNIT:mm	
		PROJECTION	SHEET:2 OF 2	
			FCN: E1	
			http://www.vitalconn.com	

1 2 3 4 5 6 7 8