

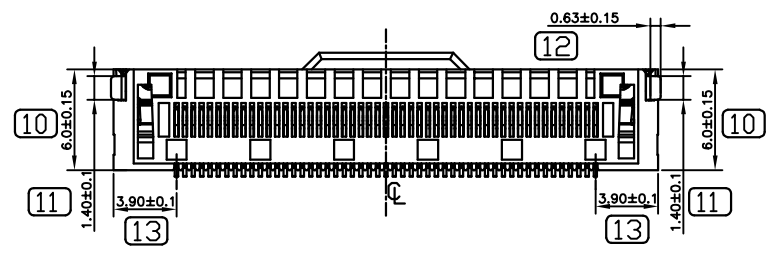
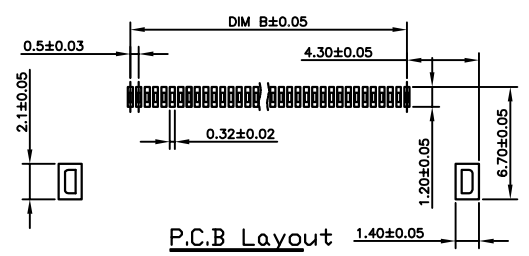
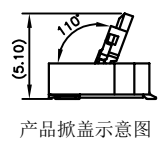
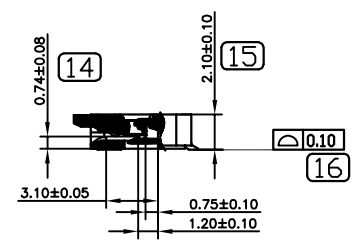
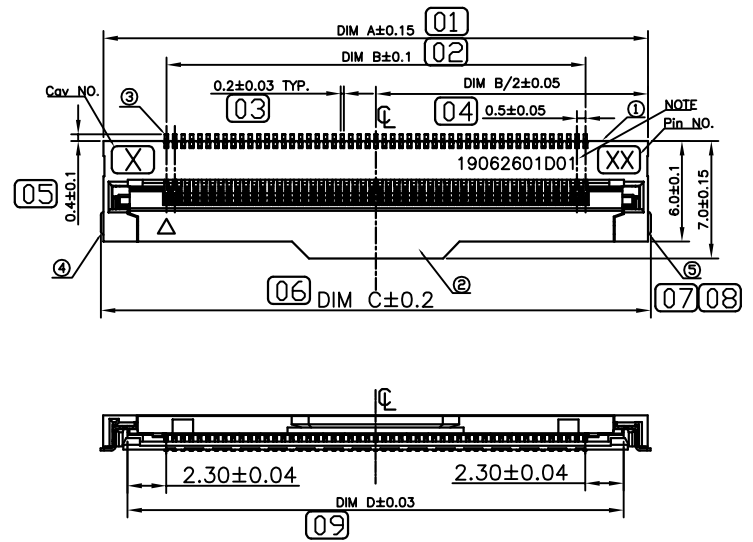


REV:	ECN. NO.	NAME	DATE
A0	----	-----	04-29-2026

NOTES:  
 MATERIAL:  
 INSULATOR:LCP PLASTIC.UL 94V-0 COLOR:NATURE  
 COVER:THERMO-PLASTIC COLOR:BLACK  
 THRMINAL:PHOSPHOR COPPER  
 CONTACT:COPPER ALLOY

SPECIFICATION:  
 CURRENT RATING:0.5A 50V AC/DC  
 CUNTACT RESISTANCE:30mΩMAX  
 INSULATION RESISTANCE:100MΩMIN AT 500V DC  
 OPERATING TEMPERATURE RANGE:-40℃ TO +85℃  
 WITHSTANDING VOLTANG:500V AC/minute

电镀:焊锡区镀雾锡80~160u";  
 接触区镀金1u"Min;  
 底层全区打钨底50~100u".



NOTES 1(Lot No): 19 06 26 01 D 01  
 Year of manufacturing(年) \_\_\_\_\_  
 (19:2019 Year,20:2020 year)  
 Month of manufacturing(月) \_\_\_\_\_  
 Date of manufacturing(日) \_\_\_\_\_  
 Assembly machine no.(装配机台号) \_\_\_\_\_  
 Time of manufacturing(班别) \_\_\_\_\_  
 D:Daytime(白班), N:Night(夜班)  
 Reel Number(盘号) \_\_\_\_\_

5	右接地片	COPPER ALLOY	1	雾锡
4	左接地片	COPPER ALLOY	1	雾锡
3	端子	PHOSPHOR COPPER	**	半金锡1u"
2	掀盖	LCP	1	黑色
1	塑胶主体	LCP	1	白色
项次	名称	材质	数量	电镀(或颜色)

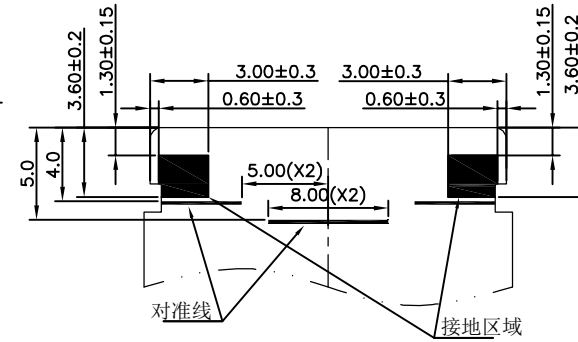
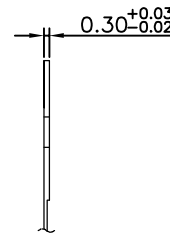
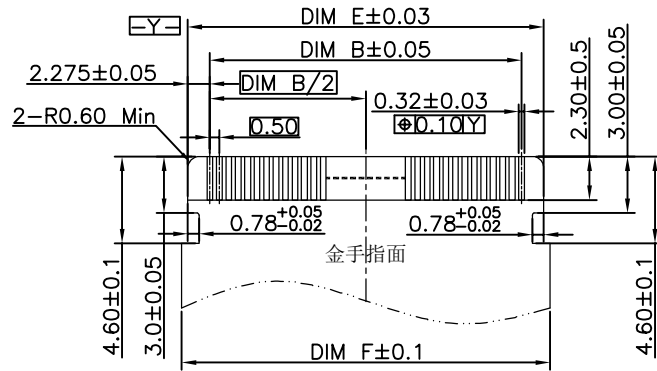
PN MO.	DIM A	DIM B	DIM C	DIM D
30	22.00	14.50	22.30	19.10
41	27.50	20.00	27.80	24.60
51	32.50	25.00	32.80	29.60

MILLIMETERS X.° ±1° .X ±0.20 .XX ±0.15 .XXX ±0.10		INCH X.° ±2° .X ±0.008 .XX ±0.006 .XXX ±0.004		 a vital connector company		FOR YOUR VITAL CONNECTION			
DRAWN BY: Zou Long		PART NO: F05043FA051M1WLJ9				SHEET: 1 OF 3		REV: A0	
CHECKED BY: Bob		DWG NO: VTC-TZ-J9-003		SIZE: A4		UNIT:mm		FCN: J9	
APPROVED BY: QPF		PROJECTION:				<a href="http://www.vitalconn.com">http://www.vitalconn.com</a>			

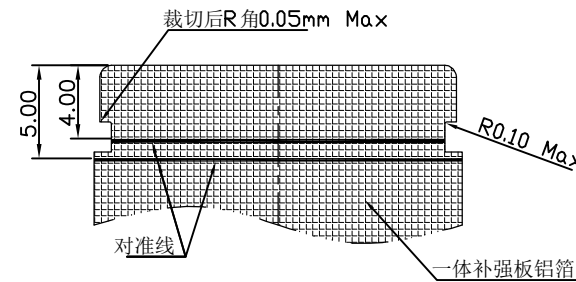
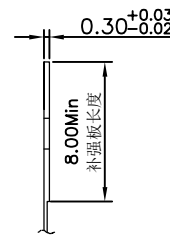
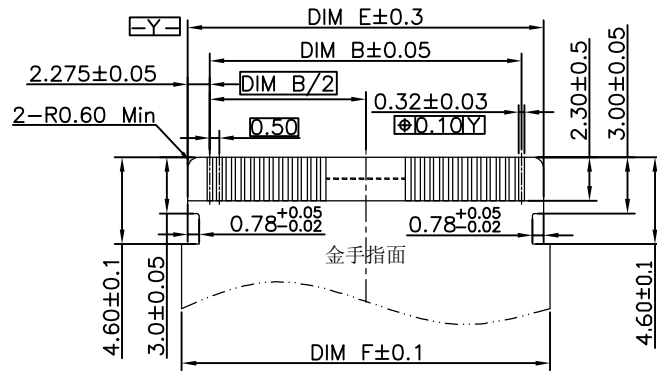
For technical support, please send an email to [support@vitalconn.com](mailto:support@vitalconn.com)



1	2	3	4	5	6	7	8
REV:	ECN. NO.	NAME	DATE				
A0	----	-----	04-29-2026				



APPLICAB



APPLICABLE FPC RECOMMENDED DIMENSION 一体补强板铝箔FPC线(接地)

PN MO.	DIM B	DIM E	DIM F
30	14.50	19.05	19.50
41	20.00	24.55	25.00
51	25.00	29.55	30.00

MILLIMETERS	INCH
X.° ±1°	X.° ±2°
.X ±0.20	.X ±0.008
.XX ±0.15	.XX ±0.006
.XXX ±0.10	.XXX ±0.004

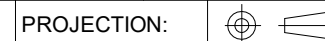


FOR YOUR VITAL CONNECTION

TITLE:	ZIF FPC 0.50PITCH 2.1HIGH,51Pin,ASSEMBLY		
PART NO:	F05043FA051M1WLJ9	SHEET:	2 OF 3
DWG NO:	VTC-TZ-J9-003	UNIT:mm	FCN: J9
REV:	A0	REV:	A0

For technical support, please send an email to support@vitalconn.com

APPROVED BY: QPF

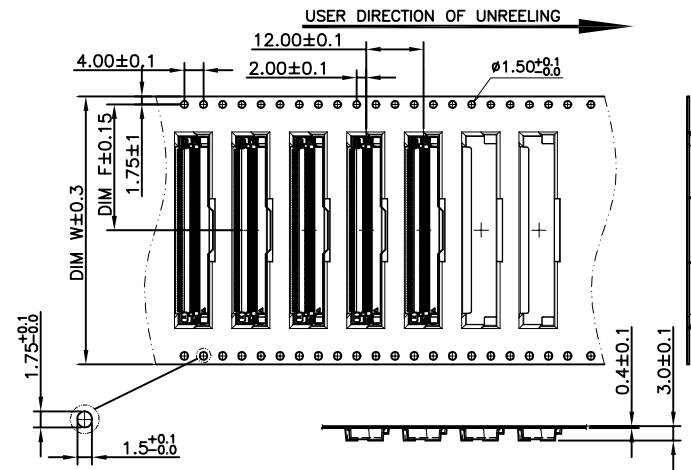
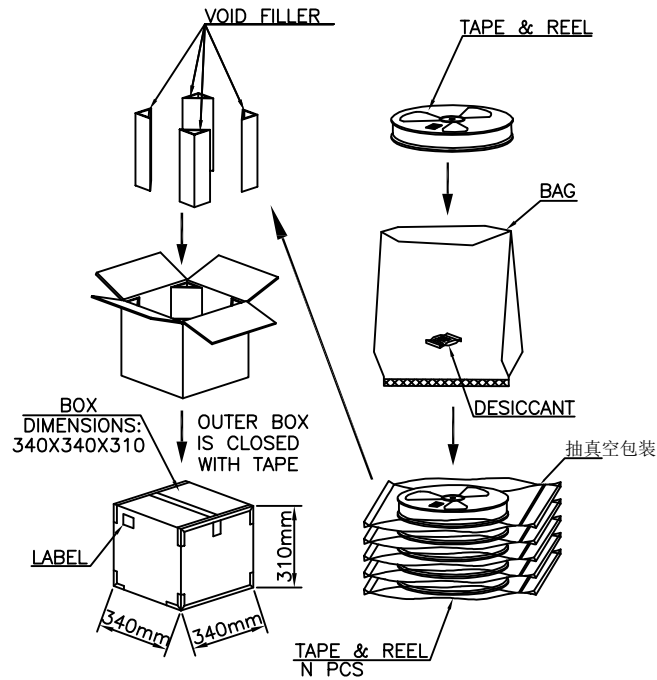
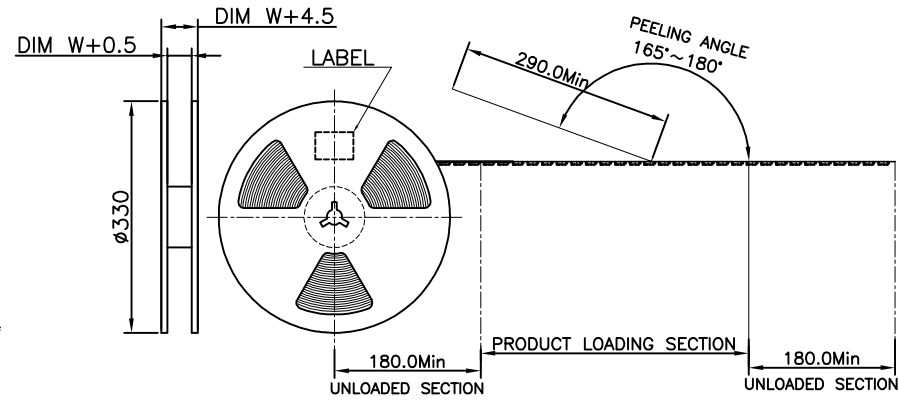


http://www.vitalconn.com



NOTES:  
 \*Reel Material:Polystyrenes,Blue color  
 \*Carrier Material:Colir Nature,Conductive Polystyrene Alloy  
 \*Cover Tape Material:Polyester  
 \*Cover Tape Peel Strength:0.1N~1.3N  
 \*Carrier cambeer is Within 1mm in 300mm  
 \*All dimensions meet EIA-481-C requirements.  
 \*Quantity:2000 PCS/Reel

1	2	3	4	5	6	7	8
REV:	ECN. NO.	NAME	DATE				
A0	----	-----	04-29-2026				



PIN NO.	PCS/REEL	PCS/BOX	GROSS WEIGHT	NET WEIGHT	DIM W	DIM F
30P	2000	12000	11.80Kg	5.80Kg	44	20.2
41P	2000	12000			44	20.2
51P	2000	10000	13.50Kg	7.50Kg	56	26.2

MILLIMETERS X.° ±1° .X ±0.20 .XX ±0.15 .XXX ±0.10		INCH X.° ±2° .X ±0.008 .XX ±0.006 .XXX ±0.004		 a vital connector company		FOR YOUR VITAL CONNECTION  ZIF FPC 0.50PITCH 2.1HIGH,51Pin,ASSEMBLY		
DRAWN BY: Zou Long		PART NO: F05043FA051M1WLJ9						
CHECKED BY: Bob		DWG NO: VTC-TZ-J9-003		SIZE: A4	UNIT:mm	FCN: J9		
APPROVED BY: QPF		PROJECTION:			<a href="http://www.vitalconn.com">http://www.vitalconn.com</a>			

For technical support, please send an email to support@vitalconn.com