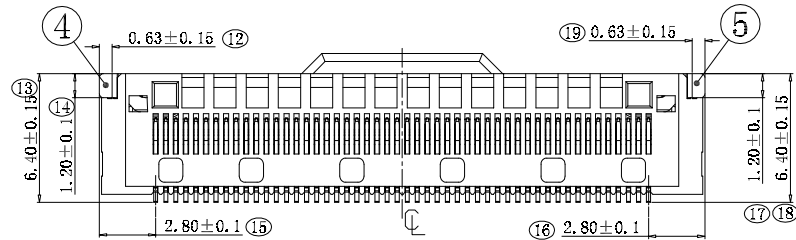
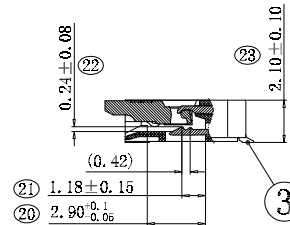
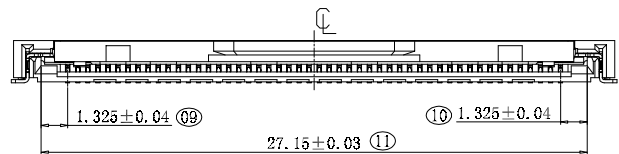
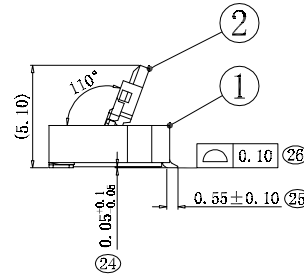
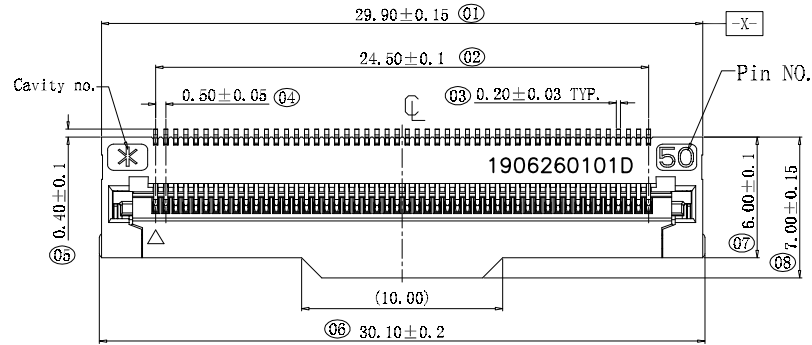


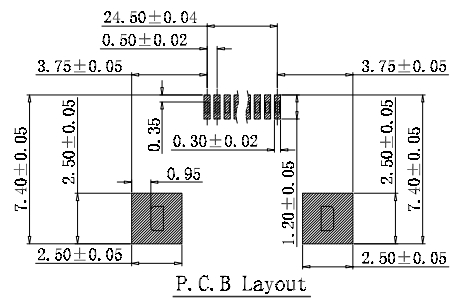


1	2	3	4	5	6	7	8
REV:	ECN. NO.	NAME	DATE				
A0	----	-----	04-29-2026				



NOTES:
 MATERIAL:
 INSULATOR:LCP PLASTIC,UL 94V-0 COLOR:NATURE
 COVER:THERMO-PLASTIC COLOR:BLACK
 THRMINAL:PHOSPHOR COPPER
 CONTACT:COPPER ALLOY
 SPECIFICATION:
 CURRENT RATING:0.5A 50V AC/DC
 CUNTACT RESISTANCE:30mΩMAX
 INSULATION RESISTANCE:100MΩMIN AT 500V DC
 OPERATING TEMPERATURE RANGE:-40°C TO +85°C
 WITHSTANDING VOLTANG:500V AC/minute
 电镀:焊锡区镀雾锡80~160u” ;
 接触区镀金1u” Min;
 底层全区打镍底50~100u” 。

NOTES 1(Lot No): 19 06 26 01 01 D
 Year of manufacturing(年) 19:2019 Year,20:2020 year
 Month of manufacturing(月)
 Date of manufacturing(日)
 Reel Number(盘号)
 Assembly machine no.(装配机台号)
 Time of manufacturing(班别)
 D:Daytime(白班), N:Night(夜班)



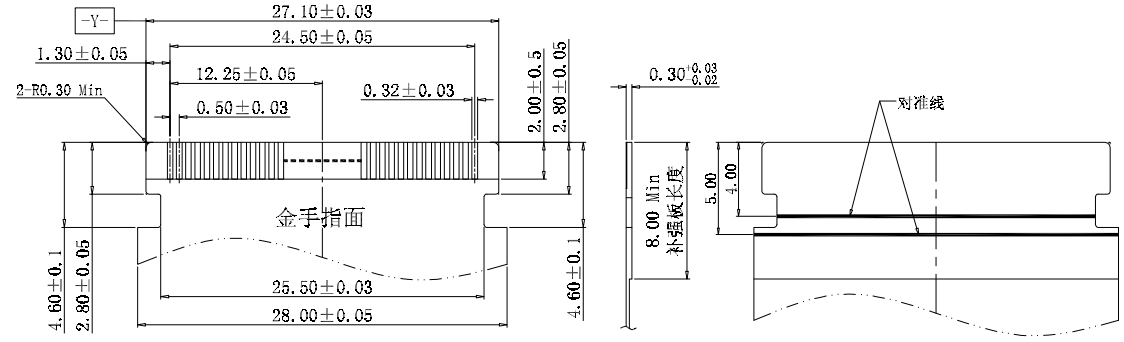
5	右接地片	1	COPPER ALLOY	雾锡80~160U”	冲压件
4	左接地片	1	COPPER ALLOY	雾锡80~160U”	冲压件
3	端子	**	PHOSPHOR COPPER	半金锡1U”Min	冲压件
2	掀盖	1	GLASS FILLED THERMO-PLASTIC	黑色	成型件
1	塑胶主体	1	GLASS FILLED THERMO-PLASTIC	白色	成型件
项次	名称	数量	材质	电镀(或颜色)	备注

MILLIMETERS X.° ±1° .X ±0.20 .XX ±0.15 .XXX ±0.10		INCH X.° ±2° .X ±0.008 .XX ±0.006 .XXX ±0.004		 a vital connector company		FOR YOUR VITAL CONNECTION			
TITLE:						ZIF FPC 0.50PITCH 2.1HIGH,50Pin,ASSEMBLY			
DRAWN BY: Zou Long		PART NO: F05044FA050M1WLJ9		SHEET: 1 OF 3		REV: A0			
CHECKED BY: Bob		DWG NO: VTC-TZ-J9-004		SIZE: A4		UNIT:mm		FCN: J9	
APPROVED BY: QPF		PROJECTION:				http://www.vitalconn.com			

For technical support, please send an email to support@vitalconn.com

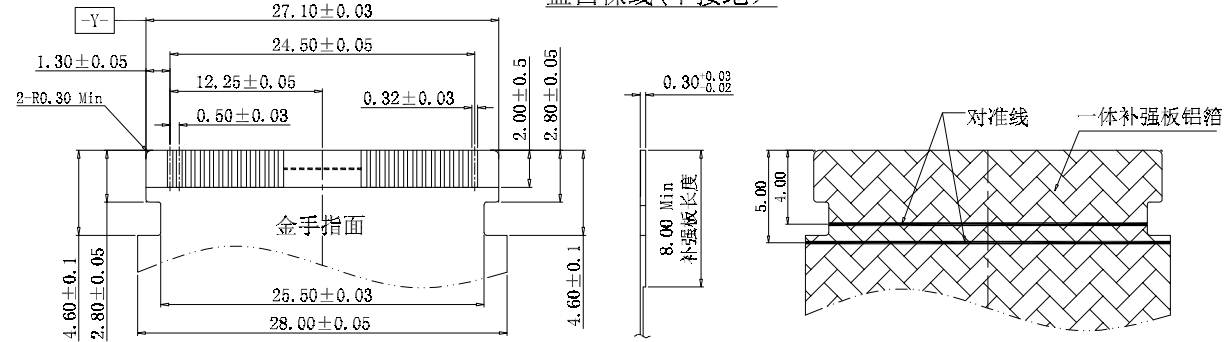


REV: A0	ECN. NO. ----	NAME -----	DATE 04-29-2026
---------	---------------	------------	-----------------



APPLICABLE FPC RECOMMENDED DIMENSION

蓝白裸线(不接地)



APPLICABLE FPC RECOMMENDED DIMENSION

一体补强板铝箔FPC线(接地)

MILLIMETERS	INCH
X.° ±1°	X.° ±2°
.X ±0.20	.X ±0.008
.XX ±0.15	.XX ±0.006
.XXX ±0.10	.XXX ±0.004



FOR YOUR VITAL CONNECTION

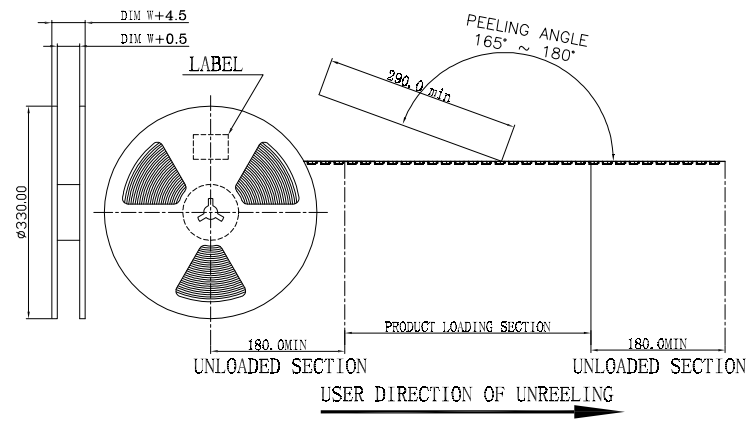
TITLE:	ZIF FPC 0.50PITCH 2.1HIGH,50Pin,ASSEMBLY					
DRAWN BY:	Zou Long	PART NO:	F05044FA050M1WLJ9	SHEET:	2 OF 3	REV: A0
CHECKED BY:	Bob	DWG NO:	VTC-TZ-J9-004	SIZE: A4	UNIT:mm	FCN: J9

For technical support, please send an email to support@vitalconn.com

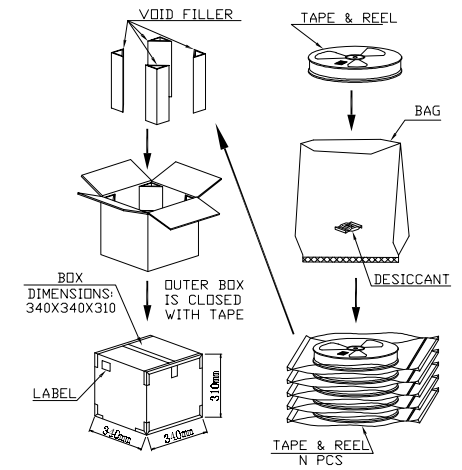
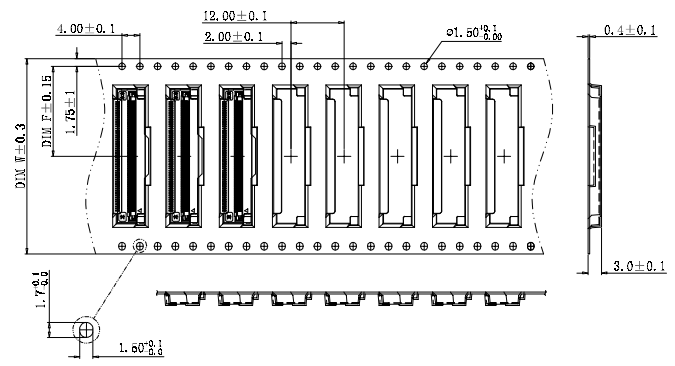
APPROVED BY:	QPF	PROJECTION:		http://www.vitalconn.com
--------------	-----	-------------	--	--------------------------



7	8
REV: A0	ECN. NO. -----
NAME	DATE 04-29-2026



- NOTES:
1. MATERIAL:
 BOX: FIBREBOARD, CORRUGATED, DOUBLE WALL, (BURSTING STRENGTH: 19Kgf/cm2, EDGE CRUSH STRENGTH: 44 LB)
 TAPE: POLYSTYRENES, TRANSPARENT COLOR.
 REEL: POLYSTYRENES, BLUE COLOR
 BAG: POLYETHYLENE,
 2. PACKAGING MATERIAL IN PLASTIC, RUBBER, INK, PIGMENT AND PAINT MUST MEET CONTROLLED SUBSTANCES SPEC PER 230-702.
 CADMIUM AND CADMIUM COMPOUNDS NOT TO EXCEED 5 PPM.
 LEAD, CADMIUM, CHROM VI AND MERCURY NOT TO EXCEED 100 PPM (COMBINED).
 3. EACH BAG SHALL BE INCLUDED DESICCANT.
 4. CARRIER TAPES, COVER TAPES, REELS AND TAPED COMPONENTS MUST MEET THE REQUIREMENTS DEFINED PER EIA-481-C.
 5. PEELING STRENGTH: 0.1 ~ 1.3 N (10 ~ 130 GRAMS)
 6. PEELING SPEED: 300 mm/min.



PIN NO.	PCS/REEL	PCS/BOX	DIM W	DIM F
50	2000	12000	44	20.2

MILLIMETERS	INCH
X.° ±1°	X.° ±2°
.X ±0.20	.X ±0.008
.XX ±0.15	.XX ±0.006
.XXX ±0.10	.XXX ±0.004



FOR YOUR VITAL CONNECTION

TITLE: ZIF FPC 0.50PITCH
2.1HIGH,50Pin,ASSEMBLY

DRAWN BY: Zou Long	PART NO: F05044FA050M1WLJ9	SHEET: 3 OF 3	REV: A0
CHECKED BY: Bob	DWG NO: VTC-TZ-J9-004	SIZE: A4	UNIT:mm FCN: J9
APPROVED BY: QPF	PROJECTION:	http://www.vitalconn.com	

For technical support, please send an email to support@vitalconn.com