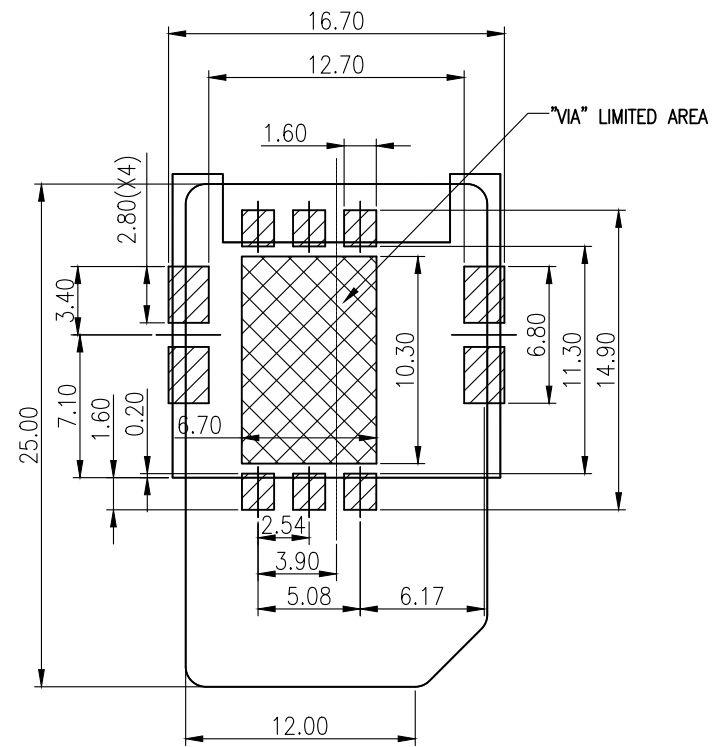
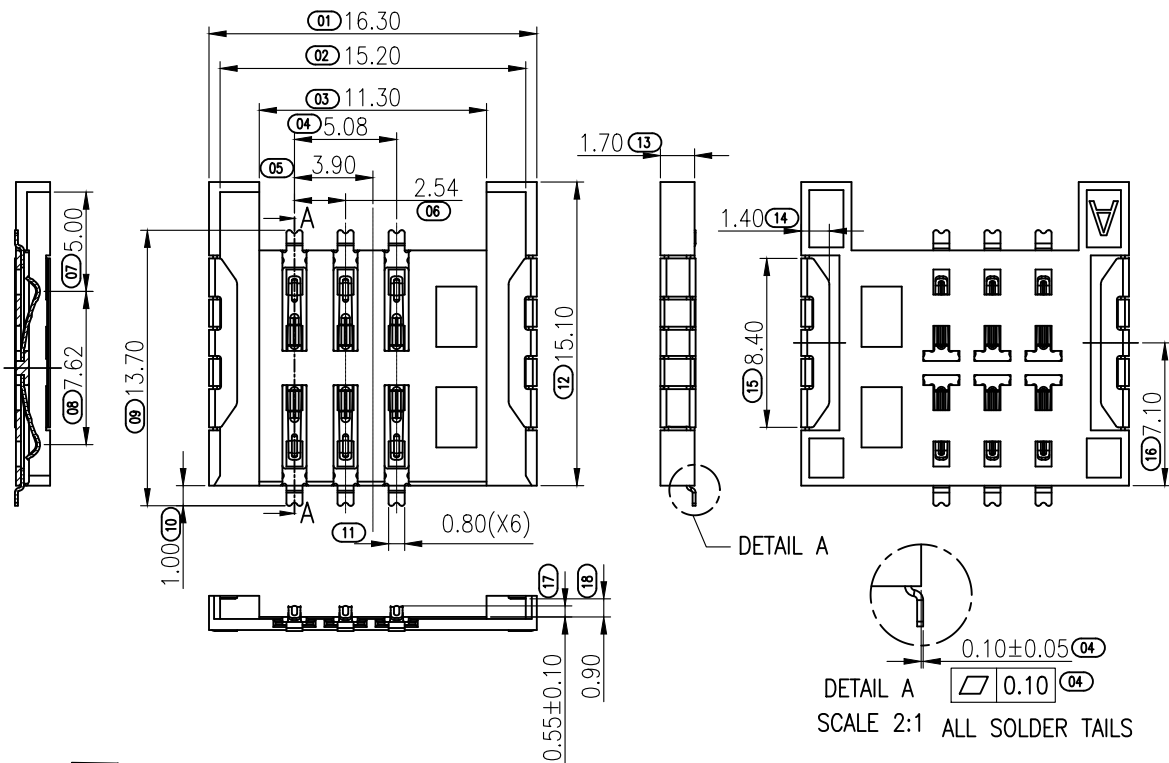
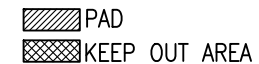


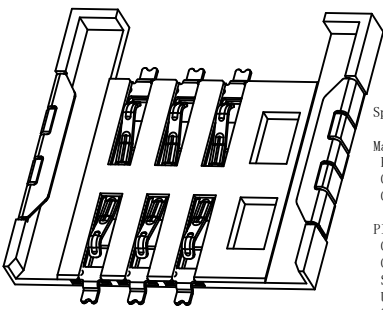
REV:	ECN. NO.	NAME	DATE



RECOMMENDED PCB LAYOUT  
TOLERANCE:±0.05



# RoHS Compliant



**Specification**

**Material**  
Plastic Housing: LCP 30%GF, UL94V-0, Black  
Contact Terminal: Phosphor Bronze, T=0.15mm  
Cover: SUS304, T=0.15mm

**Plating:**  
Contact Terminal  
Contact Area: Gold Flash  
Solder area: Gold Flash  
Underplating: Ni overall 50u" min.  
Cover: Ni overall 30u" min.

**Electrical**  
Voltage Rating: 30V max.  
Current Rating: 0.5A max.  
Dielectric Withstanding Voltage: 100V AC (60 Sec min.)  
Insulation Resistance: 1000 MΩ min.  
Contact Resistance: 100 mΩ max.

**Mechanical & Environmental**  
Operating Temperature: -40°C to +85°C  
Durability: 5000 cycles

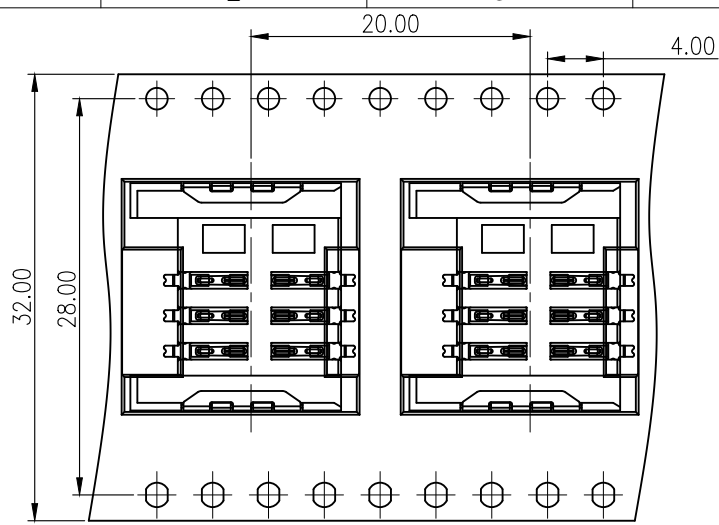
DETAIL A  
SCALE 2:1 ALL SOLDER TAILS

MILLIMETERS	INCH
X.° ± 2°	X.° ± 2°
.X ± 0.30	.X ± 0.012
.XX ± 0.20	.XX ± 0.008
.XXX ± 0.10	.XXX ± 0.004



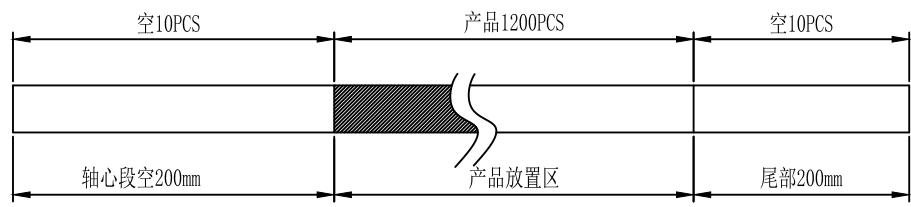
FOR YOUR  
VITAL CONNECTION

TITLE:	SIM CARD 6P H1.7			
DRAWN BY:	Zou Long	PART NO:	VTC102011262	REV: A
CHECKED BY:	Bob	SIZE: A4	UNIT:mm	SHEET:1 OF 2 FCN: E1
APPROVED BY:	QPF	PROJECTION		<a href="http://www.vitalconn.com">http://www.vitalconn.com</a>

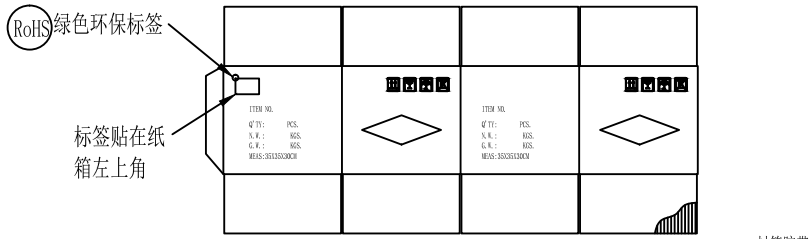


NOTES

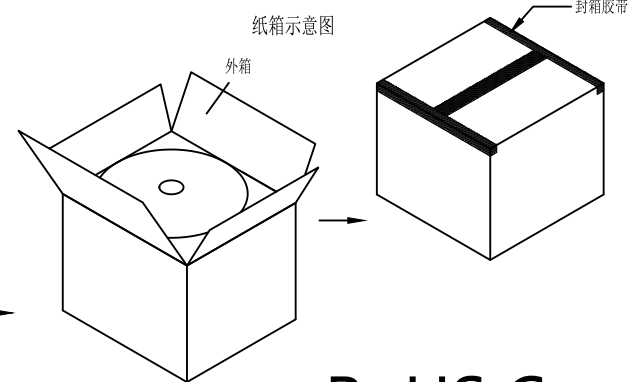
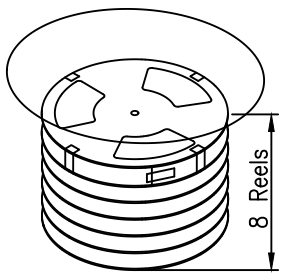
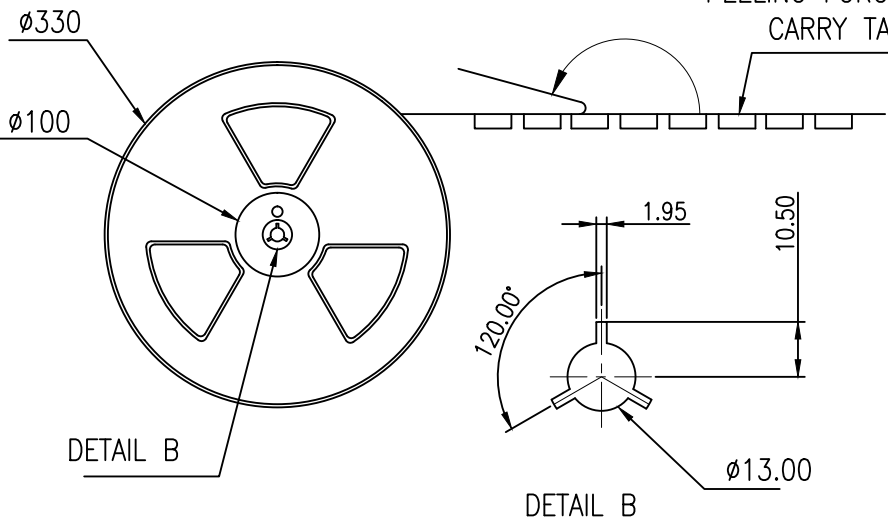
- 1.每卷包装数量:1200PCS/每卷
- 2.卷带包装方式:



3.每箱包装数量:9600PCS/箱



COVER TAPE PEELING ANGLE:165°~180°  
PEELING FORCE:30~100g  
CARRY TAPE



RoHS Compliant

1	1200	8	9.6K	35*35*34
ITEM	QTY/REEL	REEL/CARTON	QTY/CARTON	CARTON SIZE

MILLIMETERS X.° ± 2° .X ± 0.30 .XX ± 0.20 .XXX ± 0.10	INCH X.° ± 2° .X ± 0.012 .XX ± 0.008 .XXX ± 0.004	 a vital connector company	FOR YOUR VITAL CONNECTION	
DRAWN BY: Zou Long			TITLE: SIM CARD 6P H1.7	REV: A
CHECKED BY: Bob		PART NO: VTC102011262	UNIT:mm	SHEET:2 OF 2 FCN: E1
APPROVED BY: QPF		PROJECTION	 http://www.vitalconn.com	