

RoHS COMPLIANT

REV:	ECN. NO.	NAME	DATE
A0	----	-----	04-29-2026

① DIM.A±0.15
② DIM.B±0.1
③ DIM.B/2±0.1
④ 0.20±0.03 TYP
⑤ 0.50±0.05
1902230101D

①⑦ 0.24±0.08
①⑧ 2.10±0.10
①⑤ (0.42)
①⑥ 1.18±0.15
3.10^{+0.10}/_{-0.05}

NOTES:
MATERIAL:
INSULATOR:LCP PLASTIC,UL 94V-0 COLOR:NATURE
COVER:THERMO-PLASTIC COLOR:BLACK
THRMINAL:PHOSPHOR COPPER
CONTACT:COPPER ALLOY

SPECIFICATION:
CURRENT RATING:0.5A 50V AC/DC
CUNTACT RESISTANCE:30mΩMAX
INSULATION RESISTANCE:100MΩMIN AT 500V DC
OPERATING TEMPERATURE RANGE:-40℃ TO +85℃
WITHSTANDING VOLTANG:500V AC/minute

④
⑤
⑩ DIM.D±0.03

②
①
①⑨ 0.10
产品掀盖示意图

NOTES 1(Lot No): 19 02 23 01 01 D

Year of manufacturing(年) — 19 02 23 01 01 D
(19:2019 Year,20:2020 year)

Month of manufacturing(月) — 19 02 23 01 01 D

Date of manufacturing(日) — 19 02 23 01 01 D

Reel Number(盘号) — 19 02 23 01 01 D

Assembly machine no.(装配机台号) — 19 02 23 01 01 D

Time of manufacturing(班别) — 19 02 23 01 01 D
D:Daytime(白班), N:Night(夜班)

⑬ 0.63±0.15
⑫ 1.40±0.1
⑭ 2.80±0.1
⑪ 6.0±0.15

P.C.B Layout
DIM B±0.05
0.5±0.03 3.20±0.05
0.32±0.02
2.1±0.05
1.55^{+0.10}/_{-0.05}
1.20^{+0.10}/_{-0.05}
6.70±0.05

5	右接地片	COPPER ALLOY	1	雾锡
4	左接地片	COPPER ALLOY	1	雾锡
3	端子	PHOSPHOR COPPER	**	半金锡1u"
2	掀盖	LCP	1	黑色
1	塑胶主体	LCP	1	白色
项次	名称	材质	数量	电镀(或颜色)

PN	MO	DIM A	DIM B	DIM C	DIM D
42	25.90	20.50	27.10	22.90	
60	34.90	29.50	35.10	31.90	
68	38.90	33.50	39.10	35.90	
80	44.90	39.50	45.10	41.90	
96	52.90	47.50	53.10	49.90	

MILLIMETERS		INCH	
X.° ±1°		X.° ±2°	
.X ±0.20		.XX ±0.008	
.XX ±0.15		.XXX ±0.006	
.XXX ±0.10		.XXX ±0.004	

DRAWN BY: Zou Long
CHECKED BY: Bob
APPROVED BY: QPF

VITALCON
a vital connector company

FOR YOUR VITAL CONNECTION

TITLE: ZIF FPC 0.50PITCH
2.1HIGH,42Pin,ASSEMBLY

PART NO: F05045FA042M1WLJ9
DWG NO: VTC-TZ-J9-005
PROJECTION:

SHEET: 1 OF 3
SIZE: A4
UNIT:mm
FCN: J9

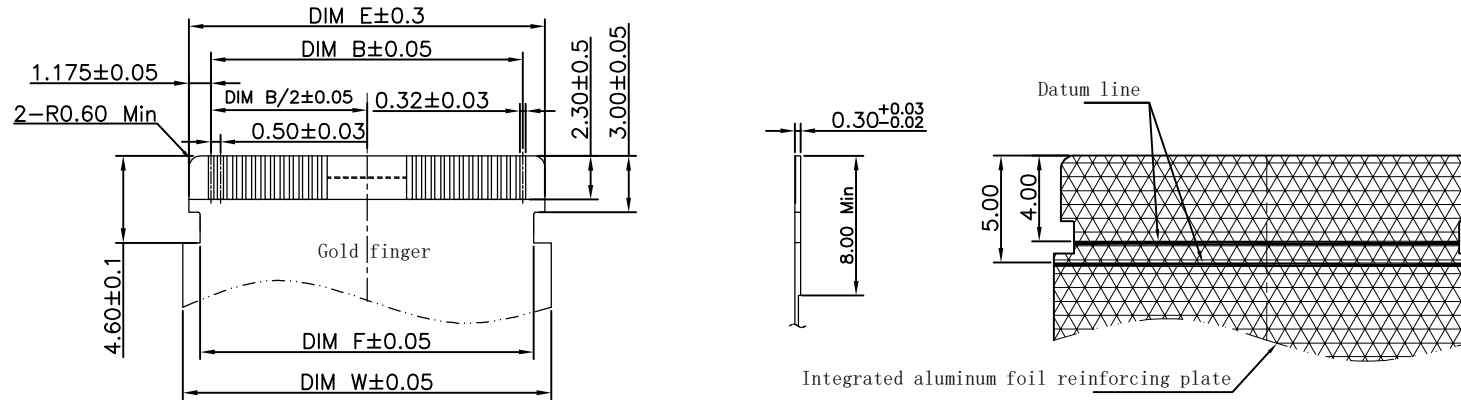
http://www.vitalconn.com

For technical support, please send an email to support@vitalconn.com

1 2 3 4 5 6 7 8



7	8
REV: A0	ECN. NO. ----- NAME ----- DATE 04-29-2026



APPLICABLE FPC RECOMMENDED DIMENSION
FPC line of integrated reinforcing plate (ground wire)

PN	MO.	DIM B	DIM E	DIM F	DIM W
42		20.50	22.85	21.65	23.50
60		29.50	31.85	30.65	32.50
68		33.50	35.85	34.65	36.50
80		39.50	41.85	40.65	42.50
96		47.50	49.85	48.65	50.50

MILLIMETERS	INCH
X.° ±1°	X.° ±2°
.X ±0.20	.X ±0.008
.XX ±0.15	.XX ±0.006
.XXX ±0.10	.XXX ±0.004



FOR YOUR VITAL CONNECTION

TITLE:

ZIF FPC 0.50PITCH
2.1HIGH,42Pin,ASSEMBLY

DRAWN BY: Zou Long

PART NO: F05045FA042M1WLJ9

SHEET: 2 OF 3 REV: A0

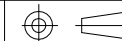
CHECKED BY: Bob

DWG NO: VTC-TZ-J9-005

SIZE: A4 UNIT:mm FCN: J9

APPROVED BY: QPF

PROJECTION:

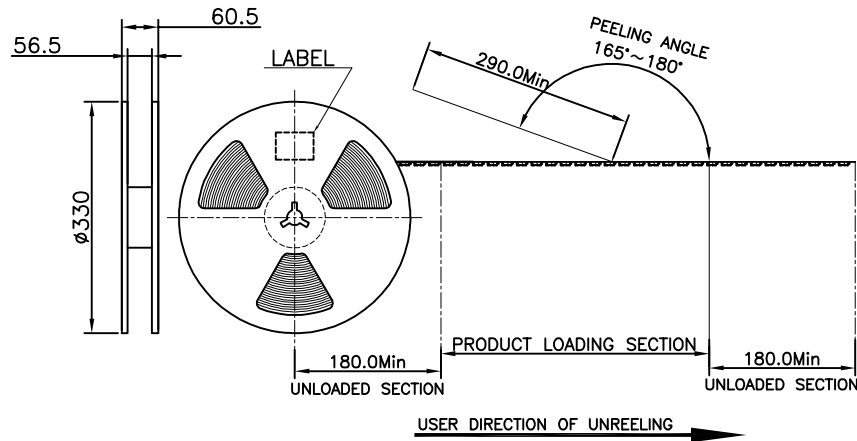


<http://www.vitalconn.com>

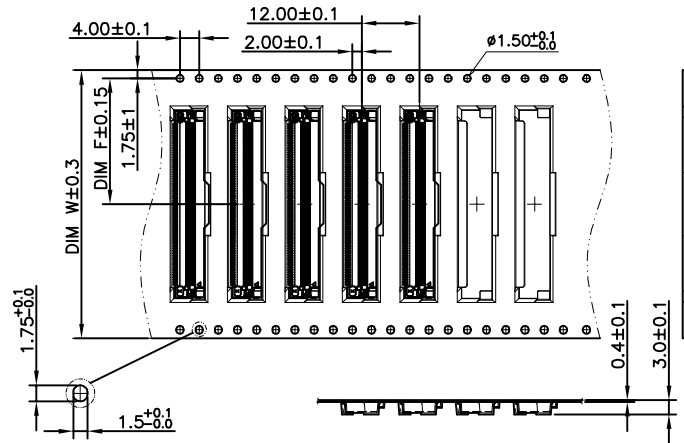
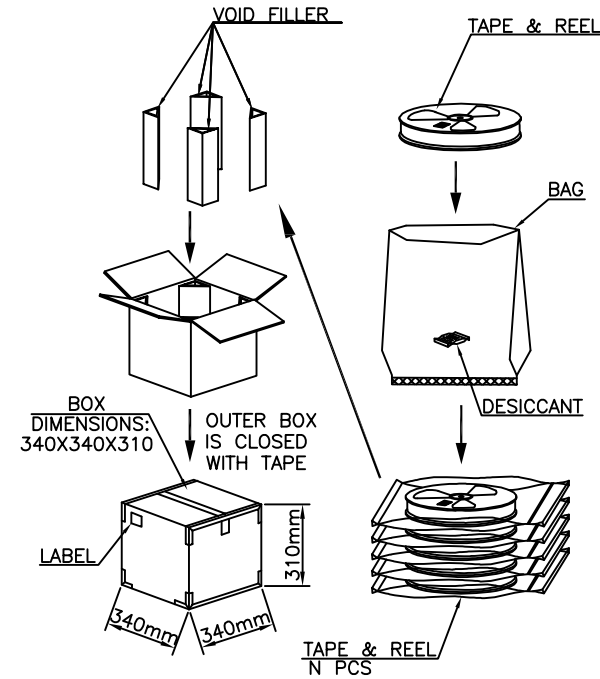
For technical support, please send an email to support@vitalconn.com



7	8
REV: A0	ECN. NO. -----
	NAME -----
	DATE 04-29-2026



NOTES:
 *Reel Material:Polystyrenes,Blue color
 *Carrier Material:Colir Nature,Conductive Polystyrene Alloy
 *Cover Tape Material:Polyester
 *Cover Tape Peel Strength:0.1N~1.3N
 *Carrier cambeer is Within 1mm in 300mm
 *All dimensions meet EIA-481-C requirements.
 *Quantity:2000 PCS/Reel



PIN NO.	PCS/REEL	PCS/BOX	GROSS WEIGHT	NET WEIGHT	DIM W	DIM F
42P	2000	10000	-	-	56	26.2
60P	2000	10000	13.52Kg	8.21Kg	56	26.2
68P	2000	10000	14.23Kg	8.93Kg	56	26.2
80P	2000	8000	13.31Kg	8.31Kg	72	34.2
96P	2000	8000	14.81Kg	9.81Kg	72	34.2

For technical support, please send an email to support@vitalconn.com

MILLIMETERS	INCH
X.° ±1°	X.° ±2°
.X ±0.20	.X ±0.008
.XX ±0.15	.XX ±0.006
.XXX ±0.10	.XXX ±0.004



FOR YOUR VITAL CONNECTION

TITLE:

ZIF FPC 0.50PITCH
2.1HIGH,42Pin,ASSEMBLY

DRAWN BY:	Zou Long	PART NO:	F05045FA042M1WLJ9	SHEET:	3 OF 3	REV: A0
CHECKED BY:	Bob	DWG NO:	VTC-TZ-J9-005	SIZE: A4	UNIT:mm	FCN: J9
APPROVED BY:	QPF	PROJECTION:		http://www.vitalconn.com		