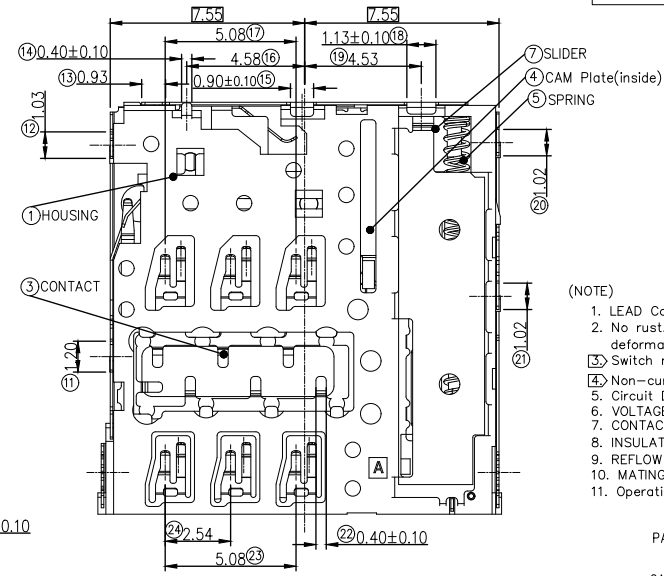
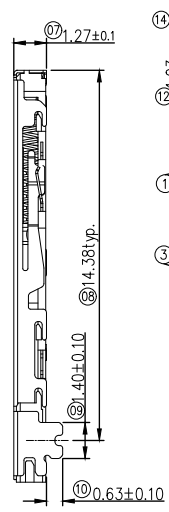
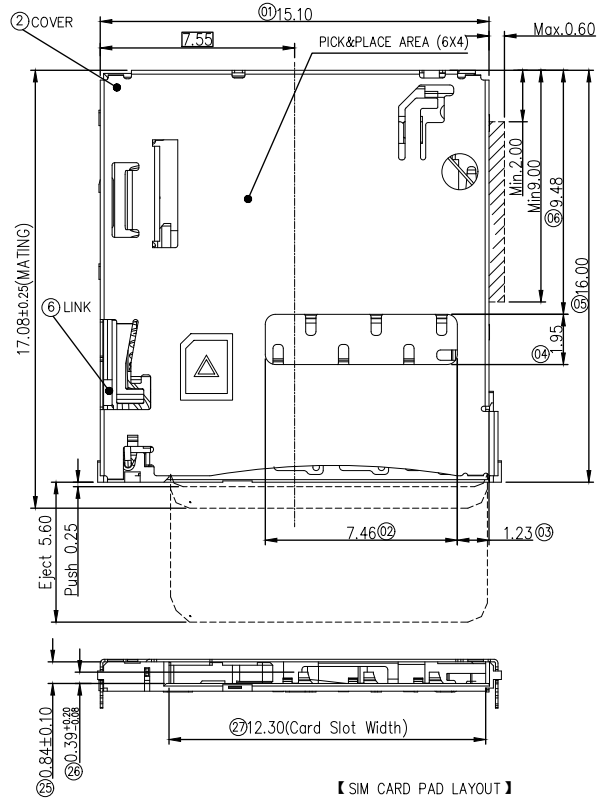




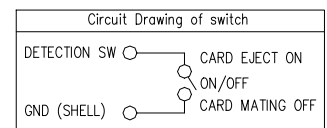
REV:	ECN. NO.	NAME	DATE
A	----	-----	11-14-2024



- (NOTE)
- LEAD Co-planarity : Max 0.10mm
  - No rust, contamination, damage nor deformation effecting on function
  - Switch moving area
  - Non-cumulative tolerance
  - Circuit Drawing of switch
  - VOLTAGE RATING : 500V AC
  - CONTACT RESISTANCE: 150MΩ MAX.
  - INSULATION RESISTANCE: 1000MΩ MIN./250VDC
  - REFLOW PEAK TEMP: 260°C ±5°C, 3~5 S
  - MATING CYCLES: 1500 INSERTIONS
  - Operating Environment: -40°C to 85 °C

PART No.: VTC102314342-BE1  
 CARD SERIES: PLATING: 31: G/F  
 PACKING: 2: REEL  
 SERIAL NO.

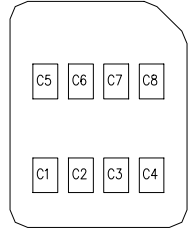
7	SLIDER	1	LCP UL94V-0 BLACK
6	LINK	1	SUS304
5	SPRING	1	SWP-B
4	CAM Plate(inside)	1	SUS304
3	CONTACT	1	CS210 Contact: Au 1u" Min over Ni 30~200u" Lead : Au Flash 1u" Min over Ni 30~200u"
2	COVER	1	SUS304 Not hold down : Nickel 10~200u" Hold down : Au Flash 1u" Min over Ni 10~200u"
1	HOUSING	1	LCP UL94V-0 BLACK
NO.	DESCRIPTION	Q'TY	Material



【SIM CARD PAD LAYOUT】

【Connector Pin Assignments】

No.	Pin name	Description
①	C1	Vcc of SIM
②	C2	RST of SIM
③	C3	CLK of SIM
④	C5	GND of SIM
⑤	C6	Vpp of SIM
⑥	C7	I/O of SIM
⑦	SW	Detection Switch
⑧~⑦	GND	Shell Ground



【SIM Card Pin Assignments】

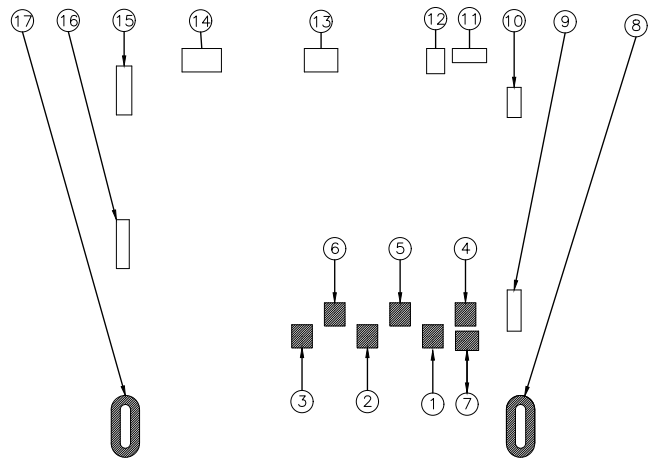
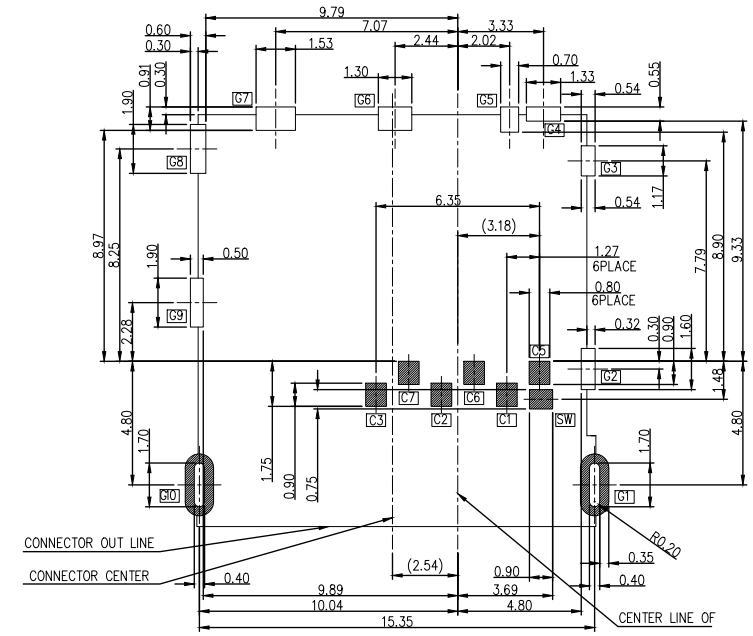
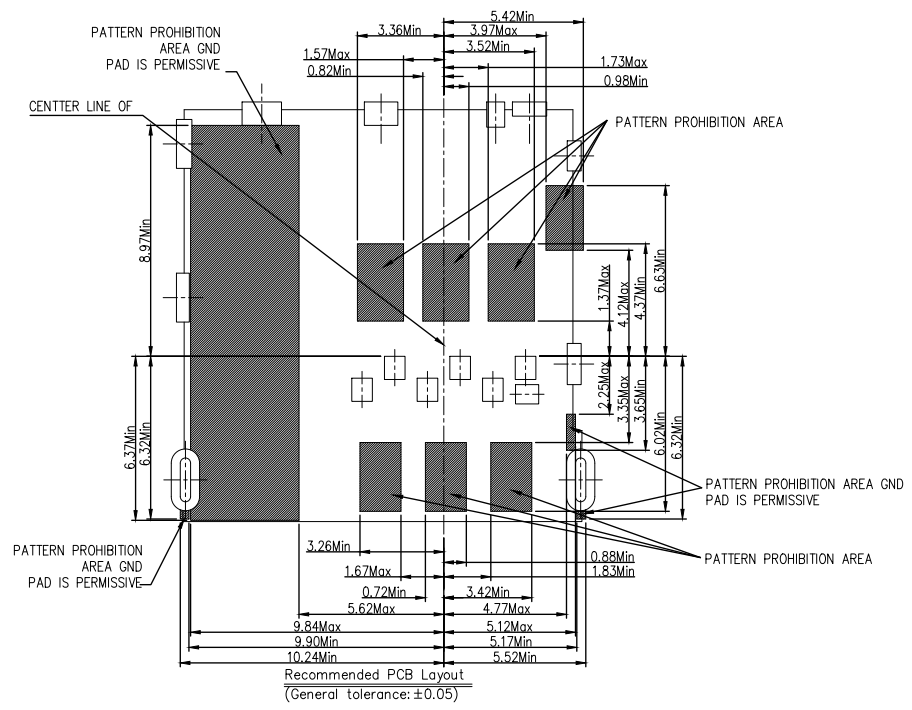
PIN	Name
C1	Vcc
C2	RST
C3	CLK
C4	Reserved
C5	GND
C6	Vpp
C7	I/O
C8	Reserved

MILLMETERS X° +/-2.0° .X +/-0.30 .XX +/-0.10 .XXXX +/-0.10	INCH X° +/-2.0° .X +/-0.012 .XX +/-0.008 .XXX +/-0.004	<b>VITALCON</b> a vital connector company	<b>勇于创新, 志在连接</b> FOR YOUR VITAL CONNECTION
TITLE:		1.27mm (DIP:1.4mm) Push Micro Sim	
DRAWN BY:	Zou Long	PART NO:	VTC102314342-BE1
CHECKED BY:	Bob	SIZE: A4	UNIT:mm
APPROVED BY:	QPF	PROJECTION	http://www.vitalconn.com
			SHEET:1 OF 3
			FCN: E1
			REV: A

For technical support, please send an email to support@vitalconn.com



REV:	ECN. NO.	NAME	DATE
A	----	-----	11-14-2024

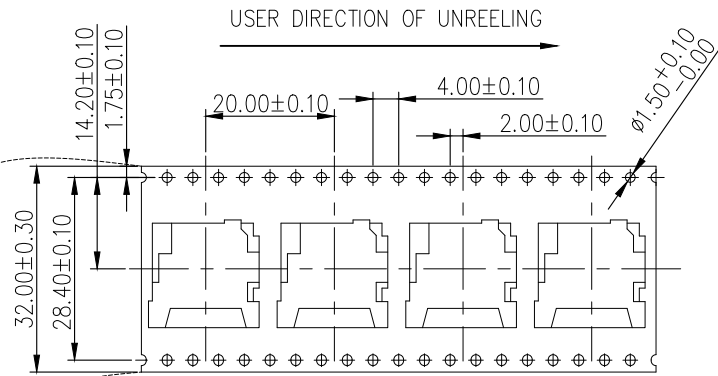


MILLIMETERS $X^\circ \pm 2.0^\circ$ $.X \pm 0.30$ $.XX \pm 0.10$ $.XXXX \pm 0.10$		INCH $X^\circ \pm 2.0^\circ$ $.X \pm 0.012$ $.XX \pm 0.008$ $.XXX \pm 0.004$				<b>勇于创新, 志在连接</b> FOR YOUR VITAL CONNECTION	
TITLE:		1.27mm (DIP:1.4mm) Push Micro Sim					
DRAWN BY:	Zou Long	PART NO:	VTC102314342-BE1	REV: A			
CHECKED BY:	Bob	SIZE: A4	UNIT:mm	SHEET:2 OF 3	FCN: E1		
APPROVED BY:	QPF	PROJECTION		http://www.vitalconn.com			

For technical support, please send an email to [support@vitalconn.com](mailto:support@vitalconn.com)

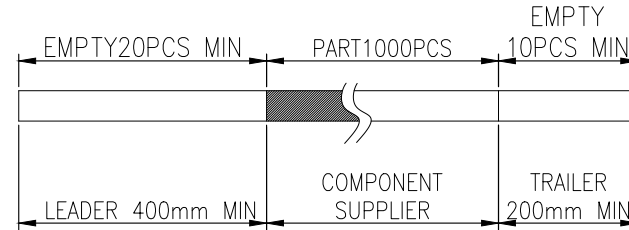


REV:	ECN. NO.	NAME	DATE
A	----	-----	11-14-2024



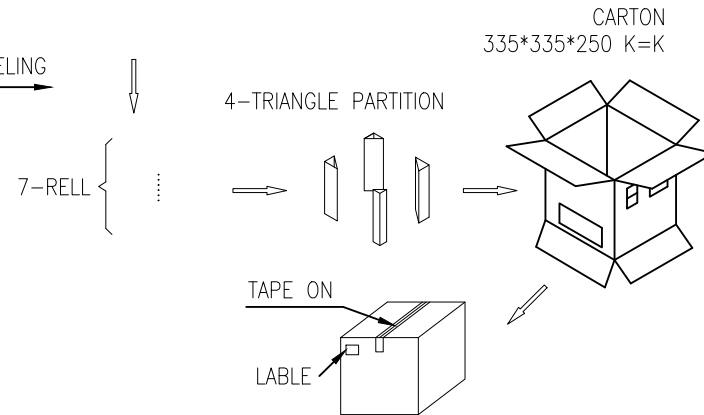
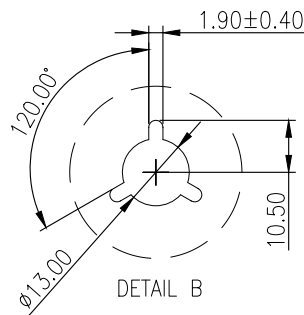
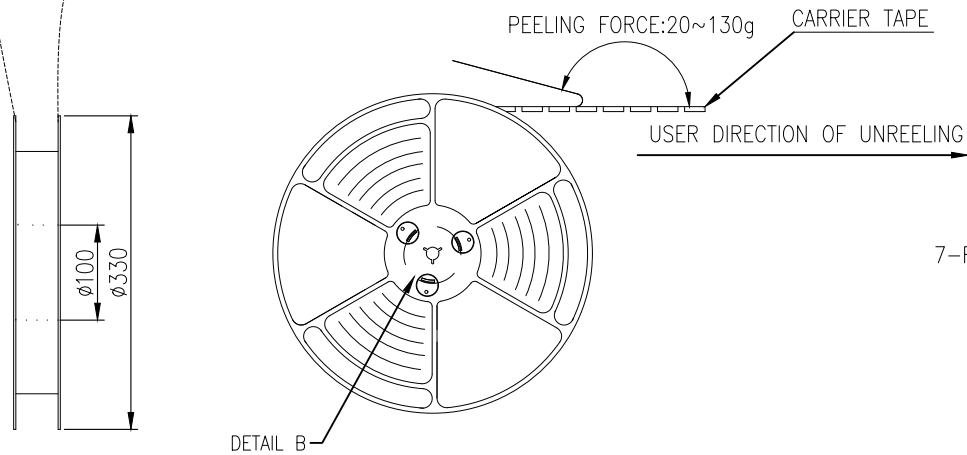
NOTES

1. NUMBER OF CONNECTORS: 1000PCS/REEL
2. LEAD TAPE LENGTH



3. QUANTITY: 7000PCS/CARTON

COVER TAPE PEELING ANGLE: 165°~180°  
PEELING FORCE: 20~130g



MILLIMETERS	INCH	<b>VITALCON</b> a vital connector company	<b>勇于创新，志在连接</b> FOR YOUR VITAL CONNECTION			
X° +/-2.0°	X° +/-2.0°					
.X +/-0.30	.X +/-0.012		TITLE:	1.27mm (DIP:1.4mm) Push Micro Sim		
.XX +/-0.10	.XX +/-0.008		DRAWN BY: Zou Long	PART NO: VTC102314342-BE1	REV: A	
.XXX +/-0.10	.XXX +/-0.004	CHECKED BY: Bob	SIZE: A4	UNIT:mm	SHEET:3 OF 3	FCN: E1
APPROVED BY: QPF		PROJECTION		http://www.vitalconn.com		

For technical support, please send an email to support@vitalconn.com