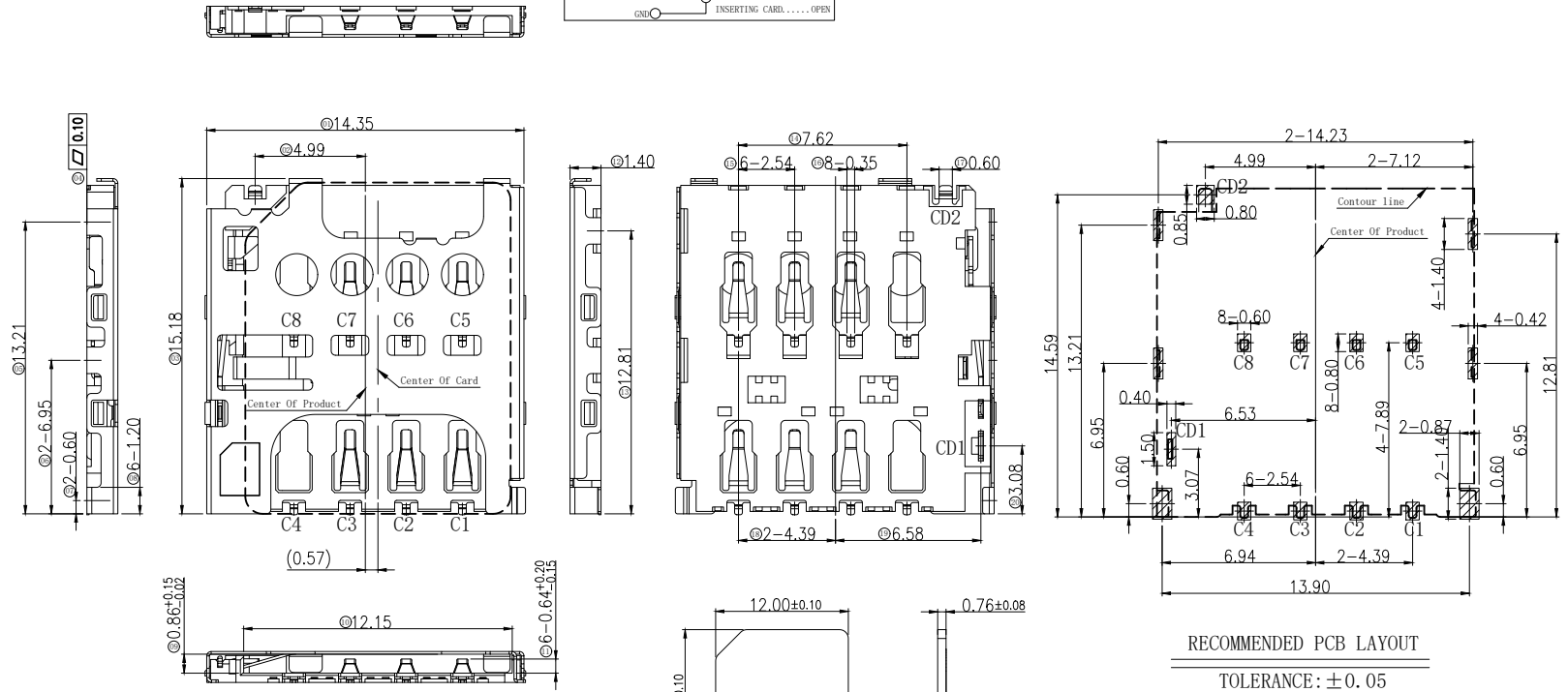
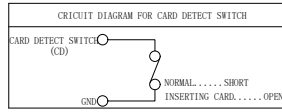




REV:	ECN. NO.	NAME	DATE
A	----	-----	12-23-2024



Notes:

- Material:
 - Housing: High Temperature Thermoplastic
 - Terminal: Copper Alloy
 - Shell: Stainless Steel
- Plating:
 - Terminal: 50u" Ni Underplated Overall
 - 1u" Au Plated On Contact Area
 - 1u" Au Plated On Solder Area
 - Sheet: 30u" Ni Underplated Overall
- Technical Speciality:
 - Rated Voltage: 30V
 - Current Rating: 0.5A
 - Insulation Resistance: 1000MΩ Min.
 - Contact Resistance: 100mΩ Max.
 - Withstanding Voltage: 500V DC For 1 Minutes.
 - Operating Temperature: -40 ~ +75°C Humidity 80% R.H Max.

PIN/NO	ASSIGNMENT
C1	VCC
C2	RST
C3	CLK
C4	Reserved
C5	GND
C6	VPP
C7	I/O
C8	Reserved
CD1	Detect Switch
CD2	Detect Switch

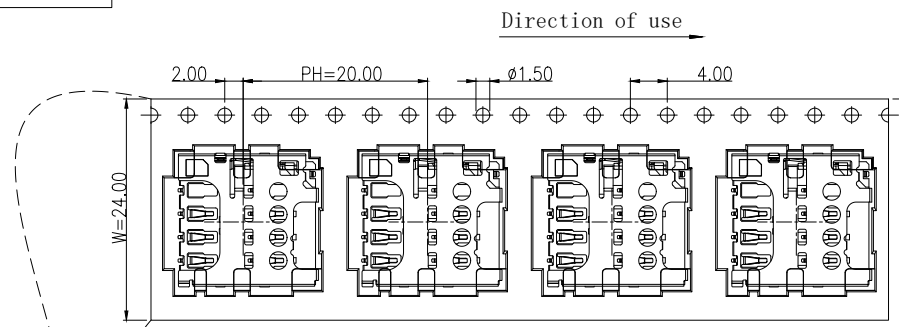
RECOMMENDED PCB LAYOUT
TOLERANCE: ±0.05
SMT SOLDER AREA

MILLIMETERS INCH X.° ±2° X.° ±2° .X ±0.30 .X ±0.012 .XX ±0.20 .XX ±0.008 .XXX ±0.10 .XXX ±0.004				勇于创新, 志在连接 FOR YOUR VITAL CONNECTION	
DRAWN BY: Zou Long		TITLE: 1.40H No-Push Micro-SIM卡座		PART NO: VTC102312892E1	
CHECKED BY: Bob		SIZE: A4		UNIT:mm	
APPROVED BY: QPF		PROJECTION		SHEET: 1 OF 2	
For technical support, please send an email to support@vitalconn.com				FCN: E1	
				http://www.vitalconn.com	

For technical support, please send an email to support@vitalconn.com

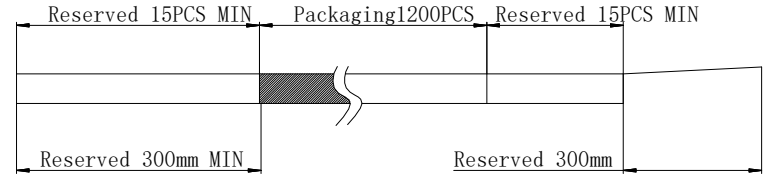


REV:	ECN. NO.	NAME	DATE
A	----	-----	12-23-2024

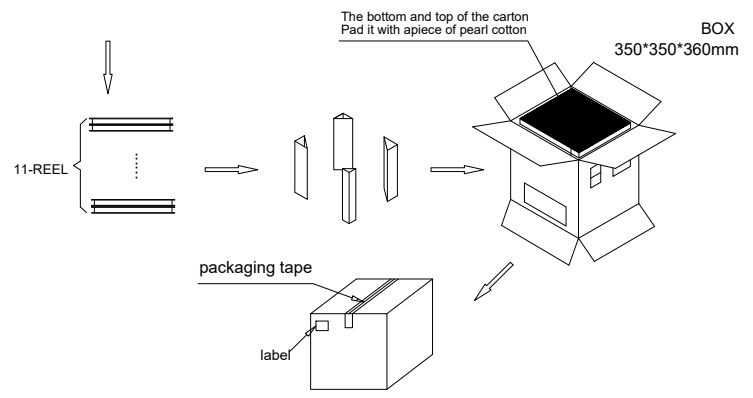
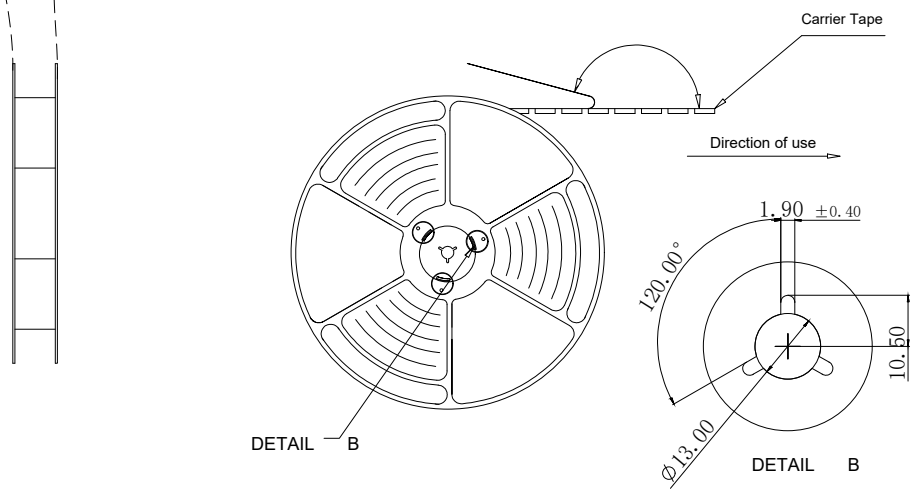


NOTES:

- 1、Packing quantity per plate: 1200PCS/Plate
- 2、Loading and packing method



- 3、Total packaging:13200PCS/Box



Part Number	Description	Quantity
303020116	Carrier band (Lucent, PET W=24 PH=20,T=0.3)	270.60m
303040077	Box (K=K,T=7.0,350*350*360)	1PCS
303060001	PE Bag (T=0.08mm, 730*760*730)	1PCS
303070024	Self-adhesive (W=21.30)	273.90m
303110001	Beam (K=K, T=7.0,95*95*290)	4PCS
303130001	Pearl Wool (340*340*18)	2PCS
303180017	REEL (BLUE, 13Inches*24mm, φ330)	11PCS
VTC102312892E1	1.40H No-Push Micro-Sim Card<MS008-000>	13200PCS

MILLIMETERS INCH X.° ±2° X.° ±2° .X ±0.30 .X ±0.012 .XX ±0.20 .XX ±0.008 .XXX ±0.10 .XXX ±0.004		VITALCONN a vital connector company		勇于创新，志在连接 FOR YOUR VITAL CONNECTION	
DRAWN BY: Zou Long		TITLE: 1.40H No-Push Micro-SIM卡座		PART NO: VTC102312892E1	
CHECKED BY: Bob		SIZE: A4		UNIT:mm SHEET:2 OF 2 FCN: E1	
APPROVED BY: QPF		PROJECTION		http://www.vitalconn.com	

For technical support, please send an email to support@vitalconn.com