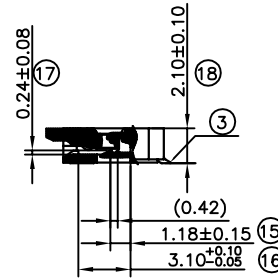
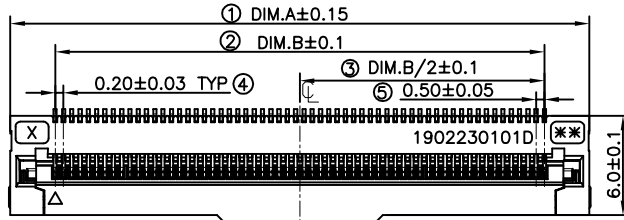


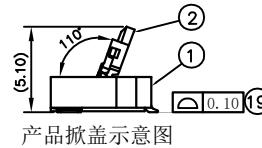
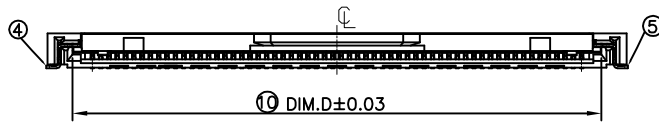


7	8
REV: A0	ECN. NO. ----
NAME	-----
DATE	04-29-2026

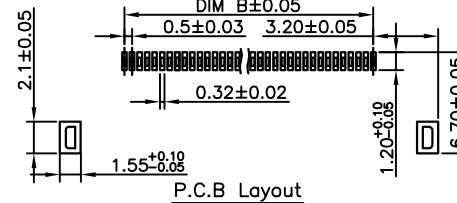
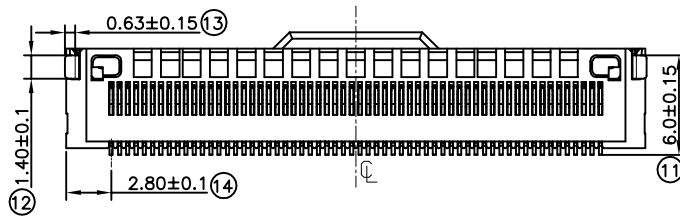


NOTES:
 MATERIAL:
 INSULATOR:LCP PLASTIC,UL 94V-0 COLOR:NATURE
 COVER:THERMO-PLASTIC COLOR:BLACK
 THRMINAL:PHOSPHOR COPPER
 CONTACT:COPPER ALLOY

SPECIFICATION:
 CURRENT RATING:0.5A 50V AC/DC
 CUNTACT RESISTANCE:30mΩMAX
 INSULATION RESISTANCE:100MΩMIN AT 500V DC
 OPERATING TEMPERATURE RANGE:-40℃ TO +85℃
 WITHSTANDING VOLTANG:500V AC/minute



NOTES 1(Lot No): 19 02 23 01 01 D
 Year of manufacturing(年) 19:2019 Year,20:2020 year
 Month of manufacturing(月)
 Date of manufacturing(日)
 Reel Number(盘号)
 Assembly machine no.(装配机台号)
 Time of manufacturing(班别)
 D:Daytime(白班), N:Night(夜班)



5	右接地片	COPPER ALLOY	1	雾锡
4	左接地片	COPPER ALLOY	1	雾锡
3	端子	PHOSPHOR COPPER	**	半金锡1u"
2	掀盖	LCP	1	黑色
1	塑胶主体	LCP	1	白色
项次	名称	材质	数量	电镀(或颜色)

PN	MO	DIM A	DIM B	DIM C	DIM D
42	25.90	20.50	27.10	22.90	
60	34.90	29.50	35.10	31.90	
68	38.90	33.50	39.10	35.90	
80	44.90	39.50	45.10	41.90	
96	52.90	47.50	53.10	49.90	

MILLIMETERS	INCH
X.° ±1°	X.° ±2°
.X ±0.20	.X ±0.008
.XX ±0.15	.XX ±0.006
.XXX ±0.10	.XXX ±0.004



FOR YOUR VITAL CONNECTION

TITLE:

ZIF FPC 0.50PITCH
2.1HIGH,80Pin,ASSEMBLY

DRAWN BY: Zou Long

PART NO: F05045FA080M1WLJ9

SHEET: 1 OF 3 REV: A0

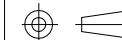
CHECKED BY: Bob

DWG NO: VTC-TZ-J9-008

SIZE: A4 UNIT:mm FCN: J9

APPROVED BY: QPF

PROJECTION:

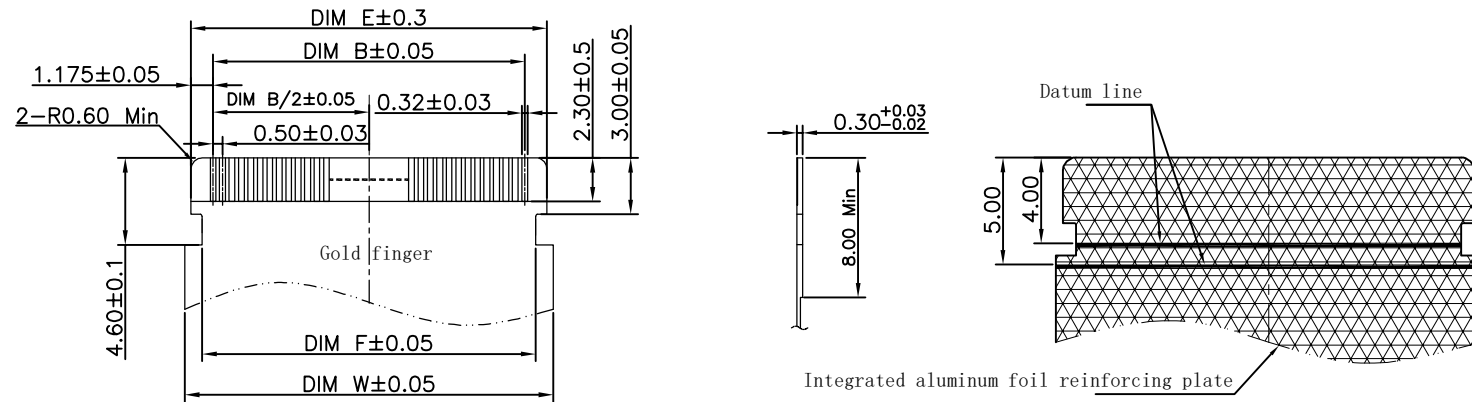


http://www.vitalconn.com

For technical support, please send an email to support@vitalconn.com



7		8	
REV:	ECN. NO.	NAME	DATE
A0	----	-----	04-29-2026



APPLICABLE FPC RECOMMENDED DIMENSION
FPC line of integrated reinforcing plate (ground wire)

PN	MO.	DIM B	DIM E	DIM F	DIM W
42		20.50	22.85	21.65	23.50
60		29.50	31.85	30.65	32.50
68		33.50	35.85	34.65	36.50
80		39.50	41.85	40.65	42.50
96		47.50	49.85	48.65	50.50

MILLIMETERS	INCH
X.° ±1°	X.° ±2°
.X ±0.20	.X ±0.008
.XX ±0.15	.XX ±0.006
.XXX ±0.10	.XXX ±0.004



FOR YOUR VITAL CONNECTION

TITLE:

ZIF FPC 0.50PITCH
2.1HIGH,80Pin,ASSEMBLY

DRAWN BY: Zou Long

PART NO: F05045FA080M1WLJ9

SHEET: 2 OF 3 REV: A0

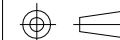
CHECKED BY: Bob

DWG NO: VTC-TZ-J9-008

SIZE: A4 UNIT:mm FCN: J9

APPROVED BY: QPF

PROJECTION:

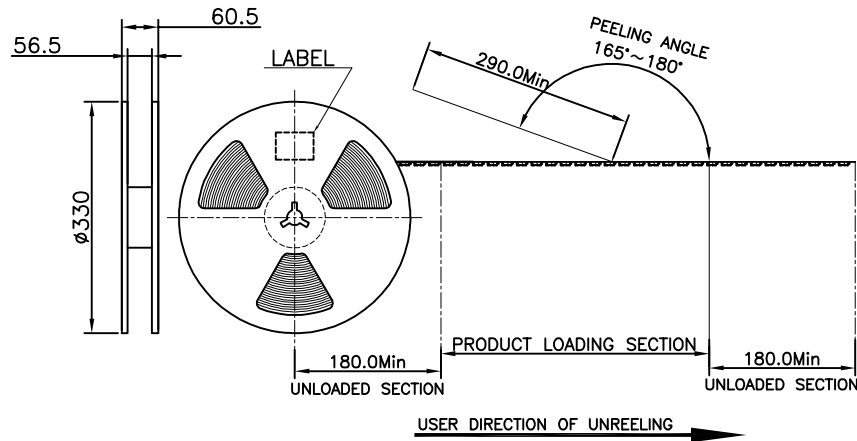


<http://www.vitalconn.com>

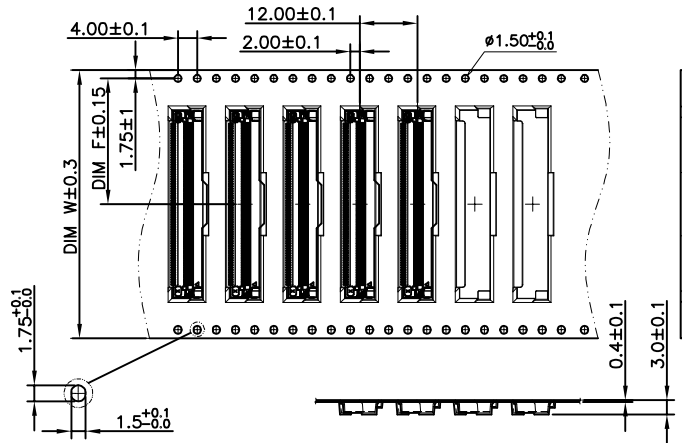
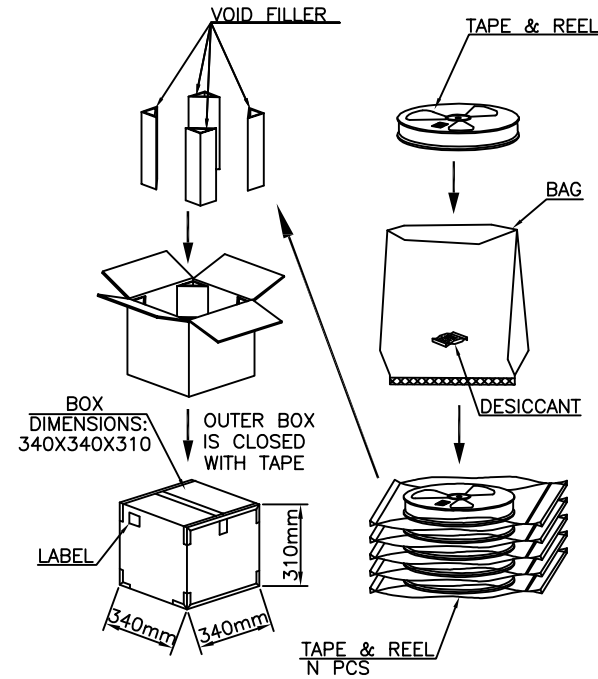
For technical support, please send an email to support@vitalconn.com



7	8	REV: A0	ECN. NO. ----	NAME -----	DATE 04-29-2026
---	---	---------	---------------	------------	-----------------



NOTES:
 *Reel Material:Polystyrenes,Blue color
 *Carrier Material:Colir Nature,Conductive Polystyrene Alloy
 *Cover Tape Material:Polyester
 *Cover Tape Peel Strength:0.1N~1.3N
 *Carrier cambeer is Within 1mm in 300mm
 *All dimensions meet EIA-481-C requirements.
 *Quantity:2000 PCS/Reel



PIN NO.	PCS/REEL	PCS/BOX	GROSS WEIGHT	NET WEIGHT	DIM W	DIM F
42P	2000	10000	-	-	56	26.2
60P	2000	10000	13.52Kg	8.21Kg	56	26.2
68P	2000	10000	14.23Kg	8.93Kg	56	26.2
80P	2000	8000	13.31Kg	8.31Kg	72	34.2
96P	2000	8000	14.81Kg	9.81Kg	72	34.2

For technical support, please send an email to support@vitalconn.com

MILLIMETERS	INCH
X.° ±1°	X.° ±2°
.X ±0.20	.X ±0.008
.XX ±0.15	.XX ±0.006
.XXX ±0.10	.XXX ±0.004



FOR YOUR VITAL CONNECTION

TITLE: ZIF FPC 0.50PITCH
2.1HIGH,80Pin,ASSEMBLY

DRAWN BY: Zou Long	PART NO: F05045FA080M1WLJ9	SHEET: 3 OF 3	REV: A0
CHECKED BY: Bob	DWG NO: VTC-TZ-J9-008	SIZE: A4	UNIT:mm FCN: J9
APPROVED BY: QPF	PROJECTION:	http://www.vitalconn.com	